



### 1.6 车载直流与交直流压缩机 (R134a)

型号Model	电源 Power supply (V/rpm)	汽缸容积 Displacement (cm <sup>3</sup> )	制冷量 Cooling Capacity (W)	COP (W/W)	电机类型 Motor Type	认证 Certification
DL (VDL) Series						
DL19H	12~24/2000	1.9	32	1.00	BLDC	CB
	12~24/3500		60	1.15		
DL22H	12~24/2000	2.2	39	1.20	BLDC	CB
	12~24/3500		70	1.25		
DL30H	12~24/2000	3.1	57	1.20	BLDC	CB
	12~24/3500		100	1.25		
DL35H	12~24/2000	3.5	64	1.20	BLDC	
	12~24/3500		110	1.25		
VDL19H	12~24/2000	1.9	32	1.00	BLDC	CB
	12~24/3500		60	1.15		
	100-240/2000		32	0.85		
	100-240/3500		60	1.00		
VDL22H	12~24/2000	2.2	39	1.20	BLDC	CB
	12~24/3500		70	1.25		
	100-240/2000		39	1.00		
	100-240/3500		70	1.05		
DM Series						
DM14H	12~24/2000	1.4	14	0.85	BLDC	
	12~24/4000		38	0.95		
DM16H	12~24/2000	1.6	16	0.85	BLDC	CB
	12~24/4000		44	1.10		
DM19H	12~24/2000	1.9	32	1.15	BLDC	
	12~24/4000		60	1.20		
DW Series						
DW16H	12~24/2400	1.6	20	0.90	BLDC	
	12~24/4200		46	1.10		

测试工况 Test conditions	按ASHRAE标准 According to ASHRAE
蒸发温度Evaporating temperature	-23.3℃
冷凝温度Condensing temperature	54.4℃
过冷温度Subcooling temperature	32.2℃
吸气温度Suction temperature	32.2℃
环境温度Ambient temperature	32.2℃



使用工况范围及极限 Working condition limit: R134a

最大环境温度Max ambient temperature	55[°C]
蒸发温度范围Evaporation temperature range	-35~-15[°C]
工作电压范围 Working voltage range	12/24V [DC], 100-240V [AC]
最大排气压力Max discharge pressure	1.79[Mpa] 表压 gauge pressure
最大允许壳温Max allowable housing temperature	85[°C]
机壳最大承受压力max pressure housing endured	3.5 [Mpa] 表压 gauge pressure
低电压启动性能 Low voltage start	0.7/0.7Mpa(表压 gauge pressure) 10.8V/22.7V[DC]; 100V[AC]

1.7 车载直流与交直流压缩机 (R134a L/M/HBP)

型号Model	电源 Power supply (V/rpm)	汽缸容积 Displacement (cm <sup>3</sup> )	制冷量 Cooling Capacity(W)	COP (W/W)	电机类型 Motor Type	认证 Certification
DK Series						
DK52G	12~24/2500	5.2	450	2.80	BLDC	
	12~24/4000		700	2.60		

测试工况 Test conditions	按ASHRAE标准 According to ASHRAE
蒸发温度Evaporating temperature	7.2°C
冷凝温度Condensing temperature	54.4°C
过冷温度Subcooling temperature	46.1°C
吸气温度Suction temperature	35°C
环境温度Ambient temperature	35°C

使用工况范围及极限 Working condition limit: R134a

最大环境温度Max ambient temperature	55[°C]
蒸发温度范围Evaporation temperature range	-35~15[°C]
工作电压范围 Working voltage range	12/24V [DC], 100-240V [AC]
最大排气压力Max discharge pressure	1.79[Mpa] 表压 gauge pressure
最大允许壳温Max allowable housing temperature	85[°C]
机壳最大承受压力max pressure housing endured	3.5 [Mpa] 表压 gauge pressure
低电压启动性能 Low voltage start	0.7/0.7Mpa(表压 gauge pressure) 10.8V/22.7V[DC]; 100V[AC]

1.8 车载直流与交直流压缩机 (R600a)

型号Model	电源 Power supply (V/rpm)	汽缸容积 Displacement (cm <sup>3</sup> )	制冷量 Cooling Capacity(W)	COP (W/W)	电机类型 Motor Type	认证 Certification
DL (VDL) Series						
DL30C	12~24/2000	3.1	32	1.20	BLDC	CB
	12~24/3500		55	1.25		



HUAYI COMPRESSOR (JINGZHOU) CO., LTD.  
产品样本 PRODUCT SPECIFICATION 2022

型号Model	电源 Power supply (V/rpm)	汽缸容积 Displacement (cm <sup>3</sup> )	制冷量 Cooling Capacity (W)	COP (W/W)	电机类型 Motor Type	认证 Certification
DL35C	12~24/2000	3.5	39	1.35	BLDC	CB
	12~24/3500		70	1.35		
VDL30C	12~24/2000	3.1	32	1.20	BLDC	
	12~24/3500		55	1.25		
	100-240/2000		32	0.90		
	100-240/3500		55	1.05		
VDL35C	12~24/2000	3.5	39	1.35	BLDC	
	12~24/3500		70	1.35		
	100-240/2000		39	1.05		
	100-240/3500		70	1.15		
DK Series						
DK52C	12~24/2000	5.2	55	1.50	BLDC	CB
	12~24/3500		100	1.60		
VDK52C	12~24/2000	5.2	55	1.50	BLDC	
	12~24/3500		100	1.55		
	100-240/2000		55	1.35		
	100-240/2000		100	1.40		
DK70C	12~24/2000	7.0	75	1.50	BLDC	
	12~24/3500		136	1.45		
DK90C	12~24/2000	9.0	105	1.50	BLDC	
	12~24/3500		175	1.45		

注：“\*”表示待开发产品。

测试工况 Test conditions	按ASHRAE标准 According to ASHRAE
蒸发温度Evaporating temperature	-23.3℃
冷凝温度Condensing temperature	54.4℃
过冷温度Subcooling temperature	32.2℃
吸气温度Suction temperature	32.2℃
环境温度Ambient temperature	32.2℃

使用工况范围及极限 Working condition limit: R600a

最大环境温度Max ambient temperature	55[℃]
蒸发温度范围Evaporation temperature range	-35~-15[℃]
工作电压范围Working voltage range	12/124V[DC], 100-240V[AC]
最大排气压力Max discharge pressure	0.98[Mpa] 表压 gauge pressure
最大允许壳温Max allowable housing temperature	85[℃]
机壳最大承受压力max pressure housing endured	3.5 [Mpa] 表压 gauge pressure
低电压启动性能 Low voltage start	0.5/0.5Mpa (表压 gauge pressure) 10.8V/22.7V[DC]; 100V[AC]



### 1.9 交流变频压缩机 (R600a)

型号Model	电源 Power supply (V/rpm)	汽缸容积 Displacement (cm <sup>3</sup> )	制冷量 Cooling Capacity (W)	COP (W/W)	电机类型 Motor Type	认证 Certification
VK Series						
VK52CL	220-240/1200	5.2	34	1.55	BLDC	
	220-240/1800		54	1.60		
	220-240/2400		74	1.65		
	220-240/3000		90	1.60		
	220-240/4500		125	1.60		
VK70CL	220-240/1200	7.0	47	1.60	BLDC	CCC CB
	220-240/1800		74	1.75		
	220-240/2400		100	1.80		
	220-240/3000		123	1.75		
	220-240/4500		175	1.60		
VK90CL	220-240/1200	9.0	64	1.60	BLDC	
	220-240/1800		97	1.75		
	220-240/2400		130	1.80		
	220-240/3000		158	1.75		
	220-240/4500		215	1.60		

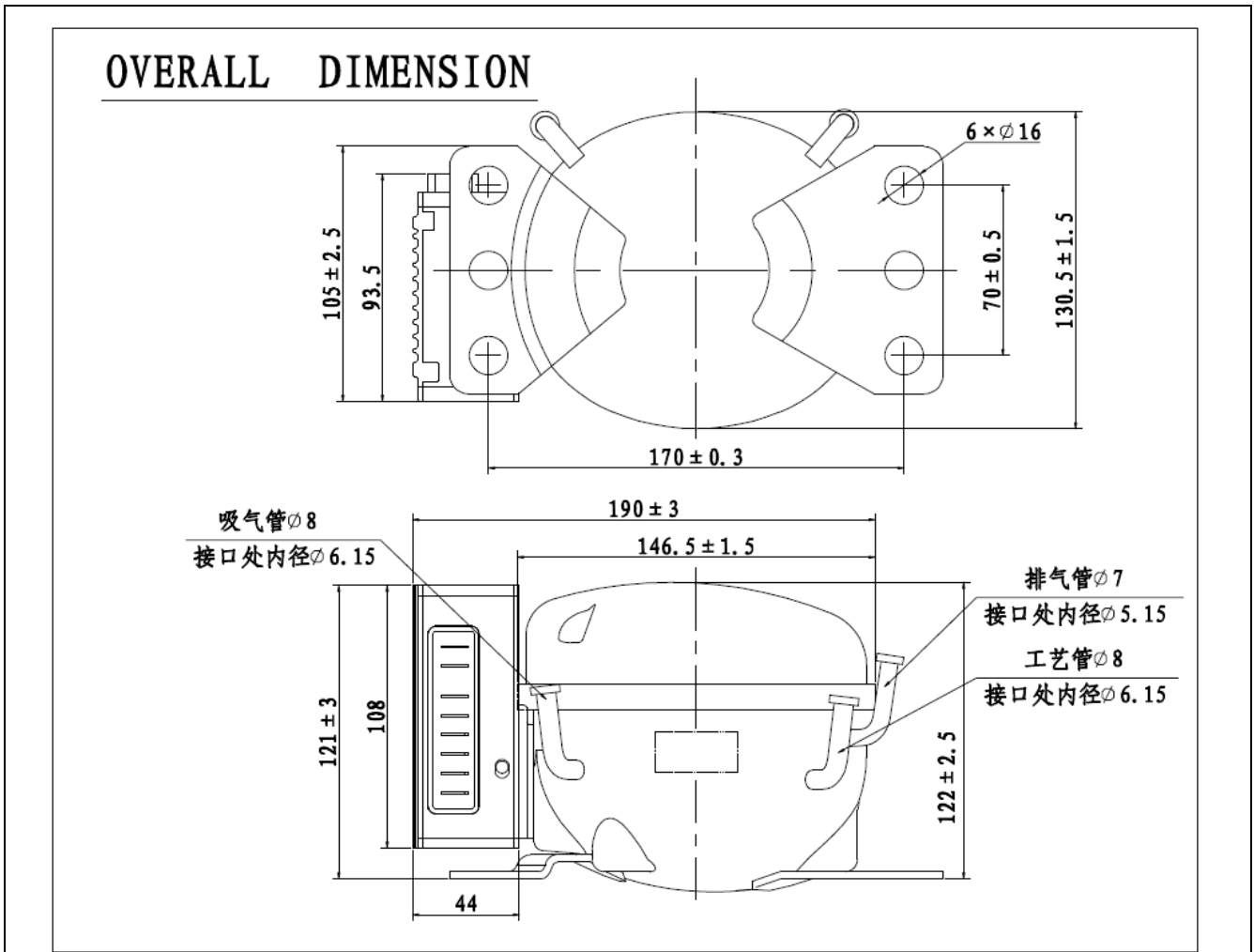
测试工况 Test conditions	按ASHRAE标准 According to ASHRAE
蒸发温度Evaporating temperature	-23.3℃
冷凝温度Condensing temperature	54.4℃
过冷温度Subcooling temperature	32.2℃
吸气温度Suction temperature	32.2℃
环境温度Ambient temperature	32.2℃

### 使用工况范围及极限Working condition limit: R600a

最大环境温度Max ambient temperature	43[℃]
蒸发温度范围Evaporation temperature range	-35~-15[℃]
工作电压范围Working voltage range	170~270[V]
最大排气压力Max discharge pressure	0.98[Mpa] (表压 gauge pressure)
最大允许壳温Max allowable housing temperature	95[℃]
最大排气温度Max discharge temperature	130[℃]
机壳最大承受压力max pressure housing endured	3.5 [Mpa] (表压 gauge pressure)
低电压启动性能 Low voltage start	0.3/0.3Mpa(表压 gauge pressure) 160V

## 2、外形图External view

2.6 DL/VDL 直流与交直流压缩机系列 DL/VDL DC Series

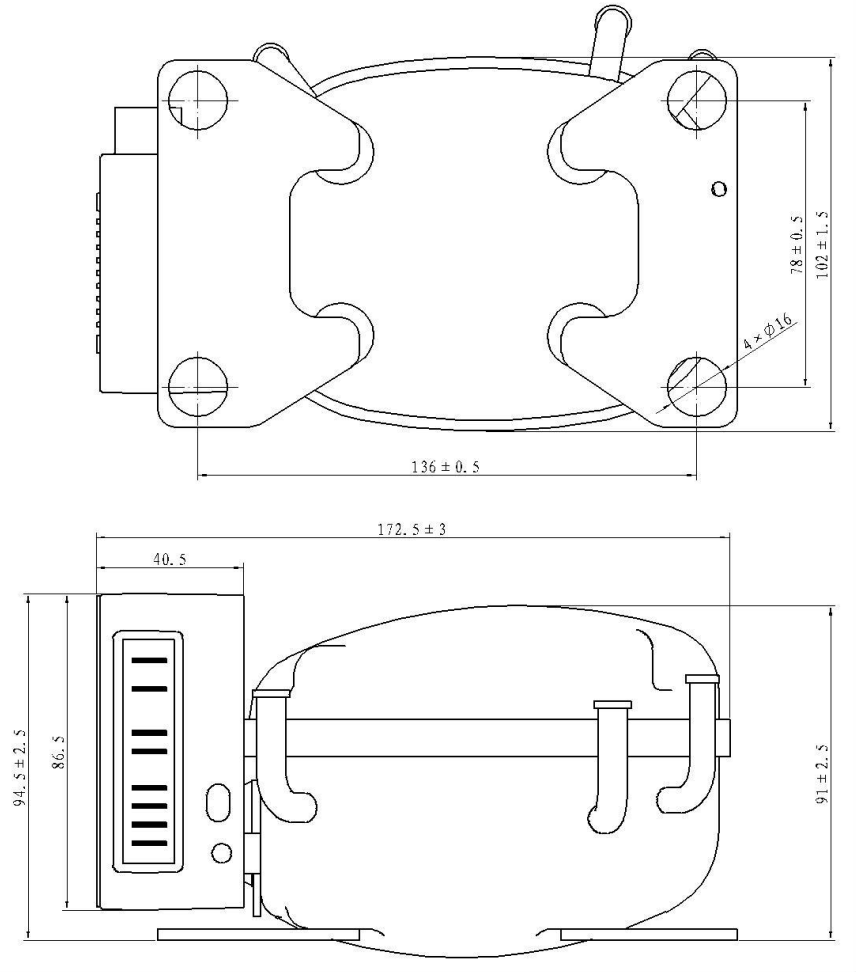


壳体高度和管径Housing height and dimension

型号Model	压缩机高度Height (mm)			
	H	S	P	D
DL19H	122 ± 2.5	φ 6.1~φ 6.2	φ 6.1~φ 6.2	φ 4.9~φ 5.0
VDL19H				
DL22H				
VDL22H				
DL30H				
DL35H				
DL30C				
VDL30C				
DL35C				
VDL35C				

2.7 DM 直流压缩机系列 DM DC Series

OVERALL DIMENSION

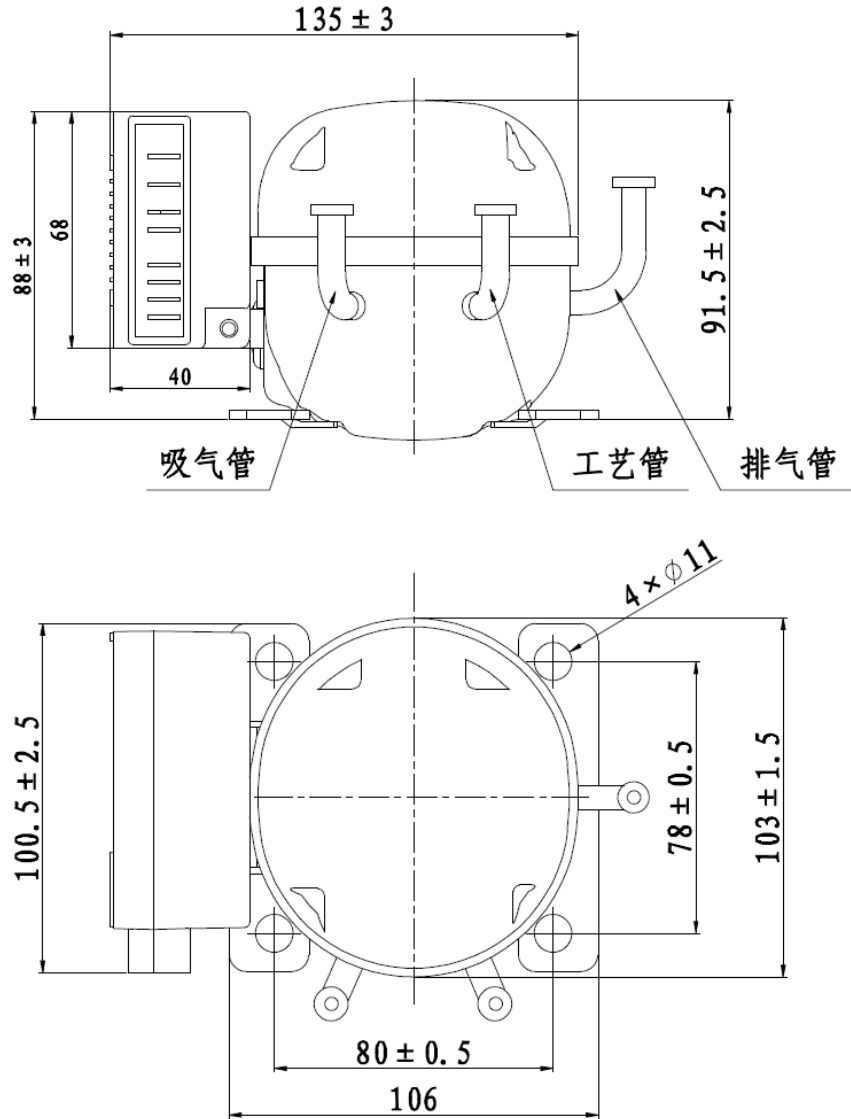


壳体高度和管径Housing height and dimension

型号Model	压缩机高度Height (mm)		连接铜管内径Tube internal diameter (mm)		
	H		S	P	D
DM14H	91 ± 2.5		φ 6.1 ~ φ 6.2	φ 6.1 ~ φ 6.2	φ 4.9 ~ φ 5.0
DM16H					
DM19H	98 ± 2.5				

2.8 DW 直流压缩机系列 DW DC Series

### OVERALL DIMENSION

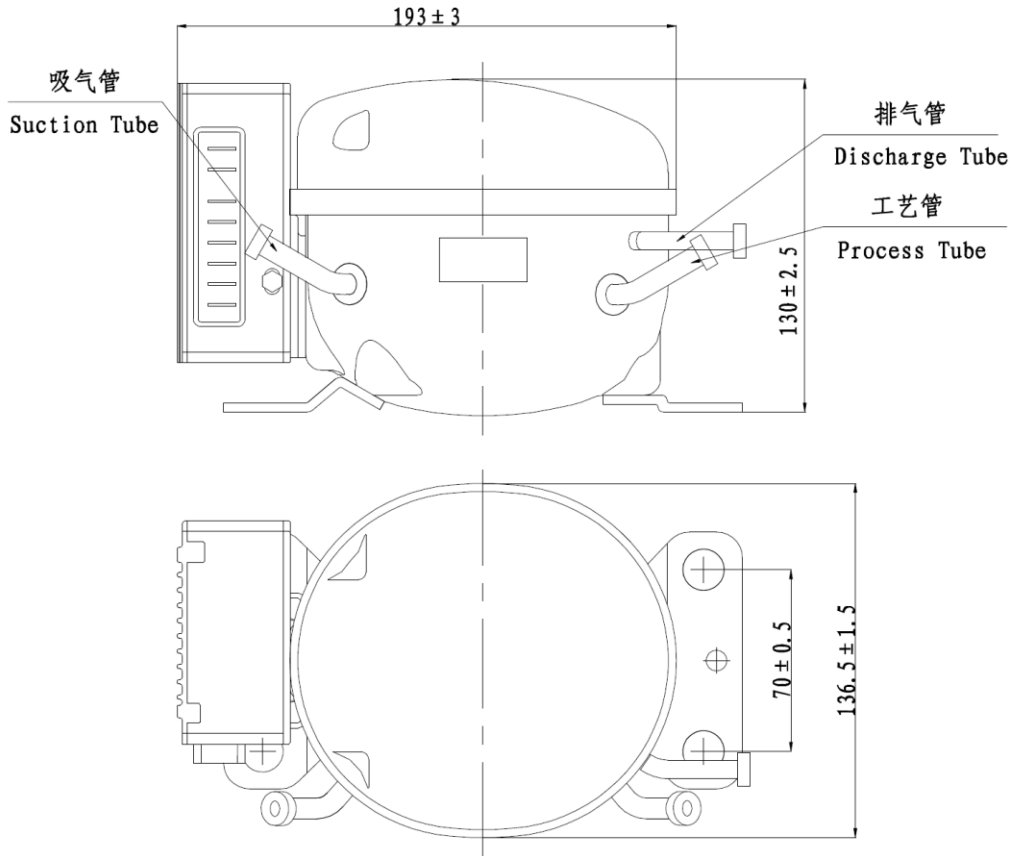


壳体高度和管径Housing height and dimension

型号Model	压缩机高度Height (mm)				连接铜管内径Tube internal diameter (mm)			
	H	S	P	D	S	P	D	
DW16H	$91.5 \pm 2.5$	$\phi 6.1 \sim \phi 6.2$	$\phi 6.1 \sim \phi 6.2$	$\phi 4.9 \sim \phi 5.0$				

## 2.9 DK 直流压缩机 DK DC Series

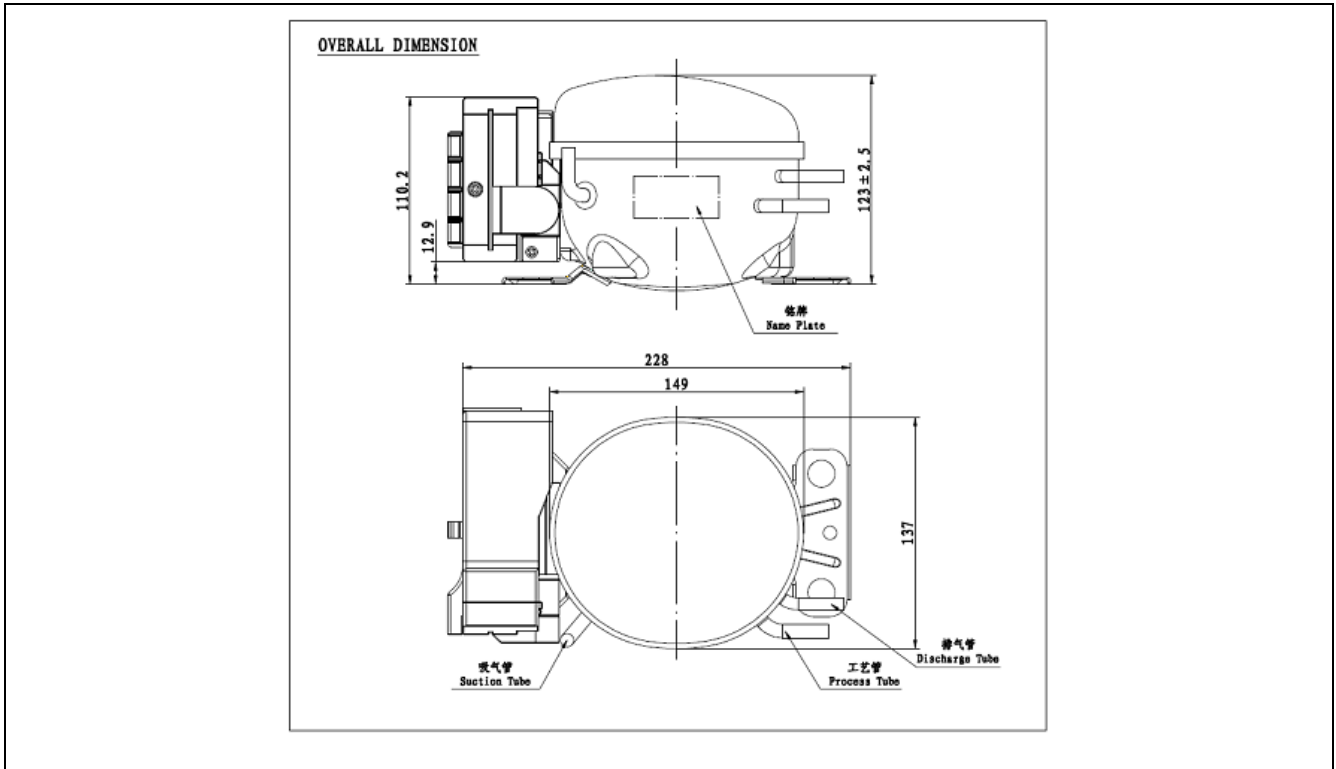
## OVERALL DIMENSION



壳体高度和管径Housing height and dimension

型号Model	压缩机高度Height (mm)		连接铜管内径Tube internal diameter (mm)		
	H	S	P	D	
DK52C	$130 \pm 2.5$	$\varnothing 6.1 \sim \varnothing 6.2$	$\varnothing 6.1 \sim \varnothing 6.2$	$\varnothing 4.9 \sim \varnothing 5.0$	
VDK52C					
DK70C					
DK52G	$135 \pm 2.5$				
DK90C					

2.10 VK 交流变频压缩机系列 VK AC inverter compressor series



壳体高度和管径Housing height and dimension

型号Model	压缩机高度Height (mm)		连接铜管内径Tube internal diameter (mm)		
	H	S	P	D	
VK52CL	123 ± 2.5	φ 6.1 ~ φ 6.2	φ 6.1 ~ φ 6.2	φ 4.9 ~ φ 5.0	
VK70CL					
VK90CL					

## 5.1 直流压缩机接线图

### 5.5.1 接线示意图

