



INVOTECH

YA/YH/YSH/YHZ/YIH

Series Scroll Compressors

Special Design For
A /C and Chiller

50Hz





Suzhou Invotech Scroll Technologies Co., Ltd.

is a high-tech company.

Our company is founded by a group of engineers who formerly worked for the world's largest manufacturer of scroll compressors. We are a team of passionate and highly qualified professionals with more than 25 years of experience in this industry. Our company's products in addition to impressive sales performance in the domestic market, also sales to Asia, Africa, Europe, South America, North America and other more than 40 countries and regions.

Our company provides specialized scroll compressors and related technical consulting services for heat pump water heaters, refrigeration and air conditioning, chillers and other applications. We are willing to provide our customers with jointly developed or Turn-Key solutions to meet their needs.

Our mission: To become a leading global provider of climate and energy solutions, building an energy-saving and low-carbon ecological environment together!

For more information please visit:

www.invotech.cn



Product Features 1

Models / Operating Envelope 4

Nomenclature 7

Technical Specifications

YA	R454B	9
YH	R32	10
YH/YSH	R410A	11
YH/YSH	R407C	14
YH/YSH	R22	18
YIH	R410A	21

Capacity

YA	R454B	22
YH	R32	26
YH/YSH	R410A	27
YH/YSH	R407C	36
YH/YSH	R22	49
YIH	R410A	59

Dimensions 61

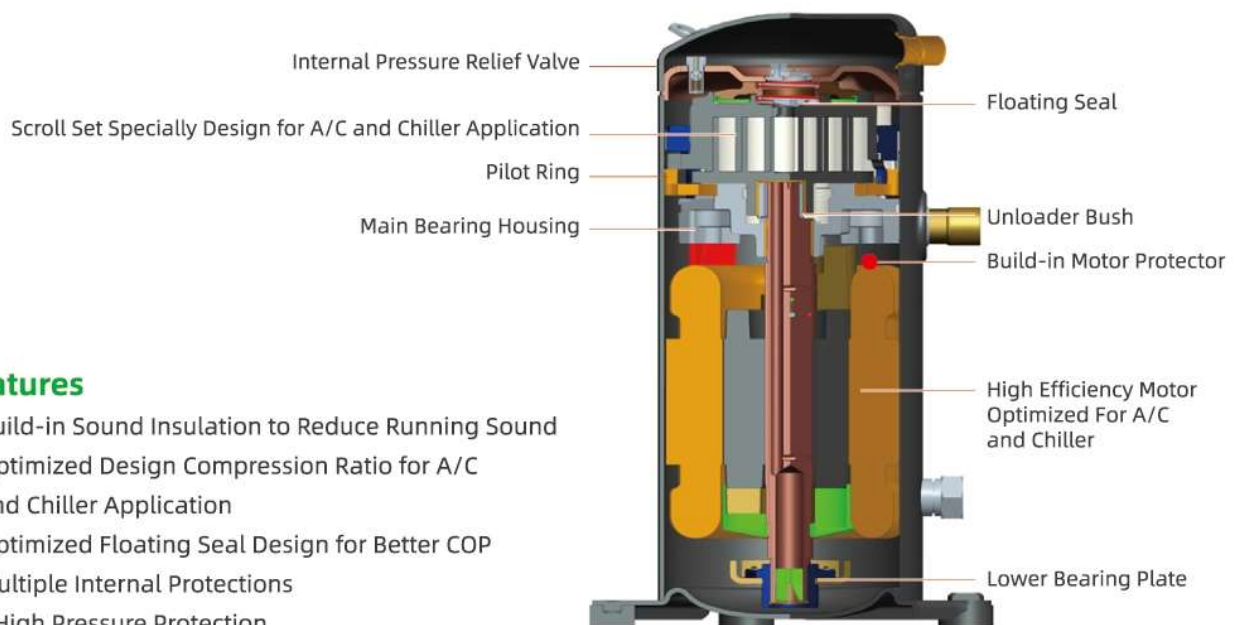
YH Series

Scroll Compressors With Dual-Compliance For A/C and Chiller

- Specific Design For A/C and Chiller, Not Only The Scroll Set But Also The Unit, Precise Product-Definition Based On Customer's Need
- Both Build-in Radius and Axial Compliance Design, Improved Floating Seal Design for Better Energy Efficiency
- Excellent Discharge Temperature Management to Stretch Operation Envelope
- Accurate Calculation of Load and Sealing Force for Running Sound Optimization
- High Efficiency Motor Design

Features

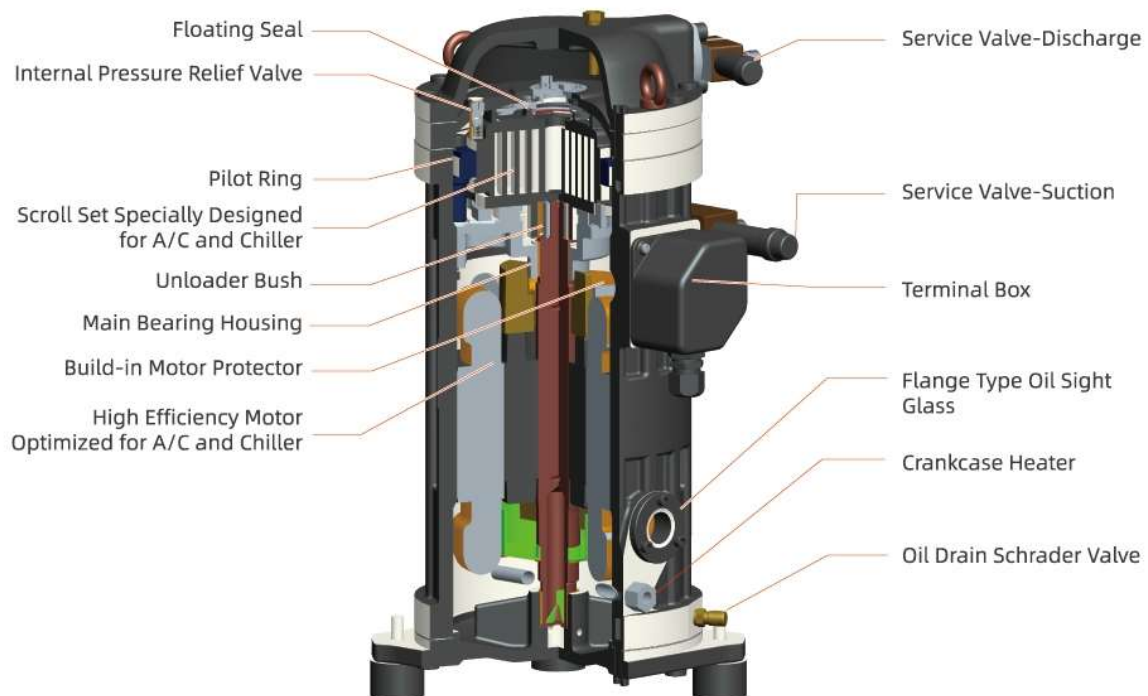
- Build-in Sound Insulation to Reduce Running Sound
- Optimized Design Compression Ratio for A/C and Chiller Application
- Optimized Floating Seal Design for Better COP
- Multiple Internal Protections
 - High Pressure Protection
 - Overload Protection



YSH Series

Semi-Hermetic Scroll Compressors With Dual-Compliance For A/C and Chiller

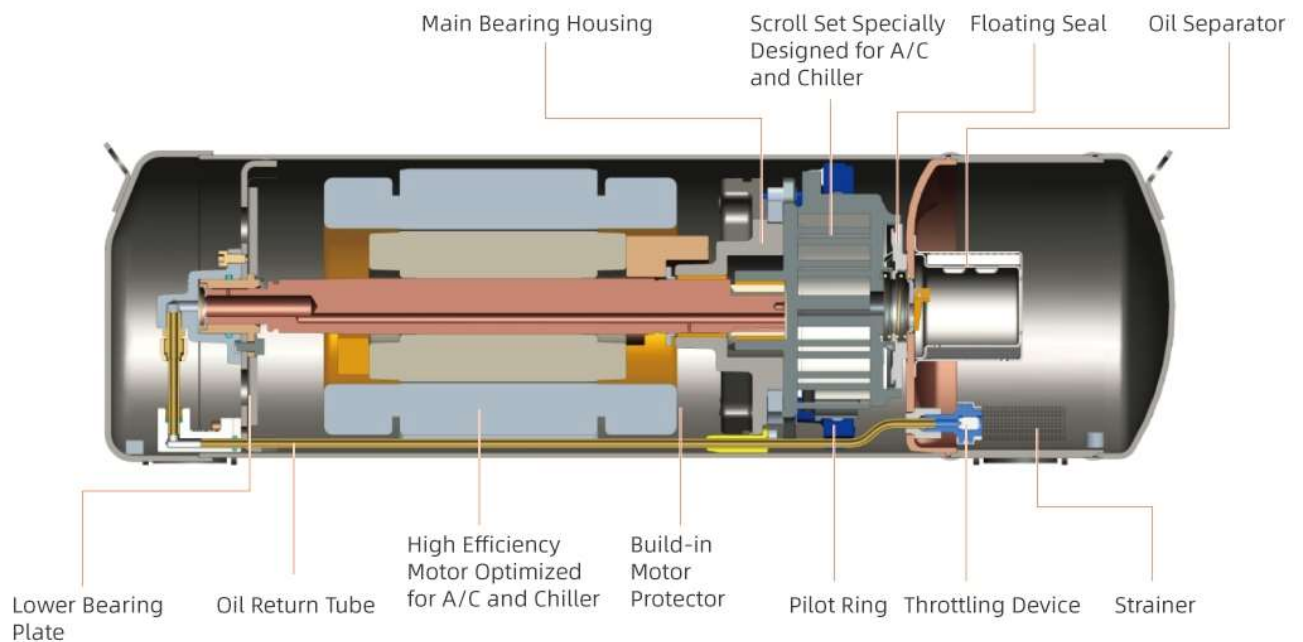
- Specific Design For A/C and Chiller, Not Only The Scroll Set But Also The Unit, Precise Product-Definition Based On Customer's Need
- Both Build-in Radius and Axial Compliance Design, Improved Floating Seal Design for Better Energy Efficiency
- Excellent Discharge Temperature Management to Stretch Operation Envelope
- Accurate Calculation of Load and Sealing Force for Running Sound Optimization
- High Efficiency Motor Design
- Repairable



YHZ Series

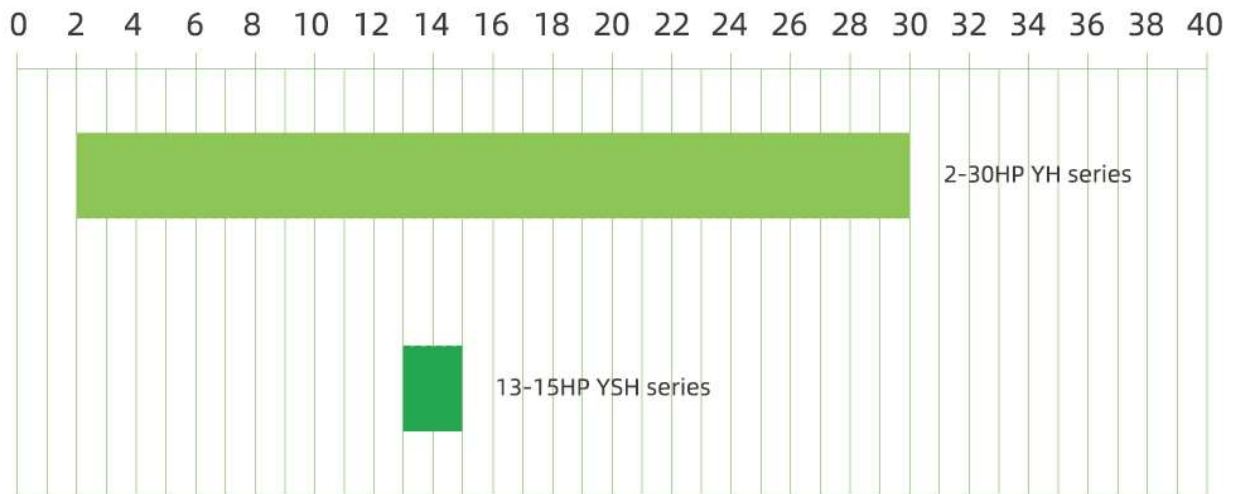
Horizontal Type Scroll Compressors With Dual-Compliance For A/C and Chiller

- Specific Design For A/C and Chiller, Not Only The Scroll Set But Also The Unit, Precise Product-Definition Based On Customer's Need
- Both Build-in Radius and Axial Compliance Design, Improved Floating Seal Design for Better Energy Efficiency
- Excellent Discharge Temperature Management to Stretch Operation Envelope
- Accurate Calculation of Load and Sealing Force for Running Sound Optimization
- High Efficiency Motor Design
- Compact Design for Limited Space

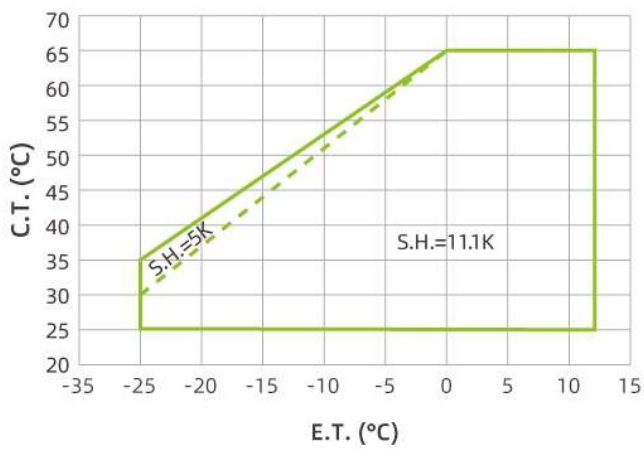


YA/YH/YSH/YHZ/YIH Series

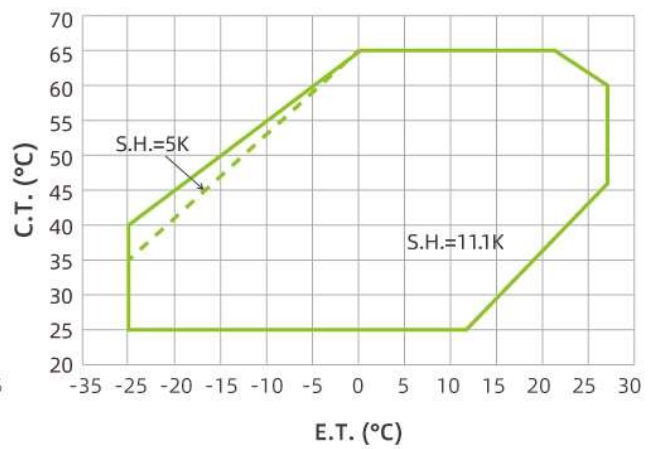
Models Operating Envelope



YA40-78 R454B

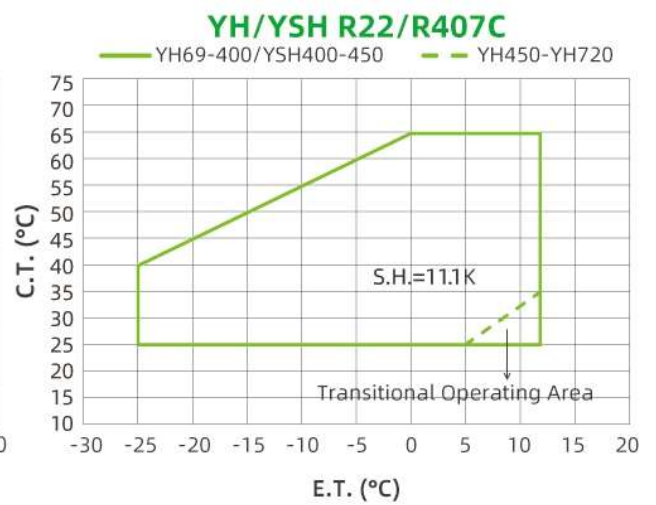
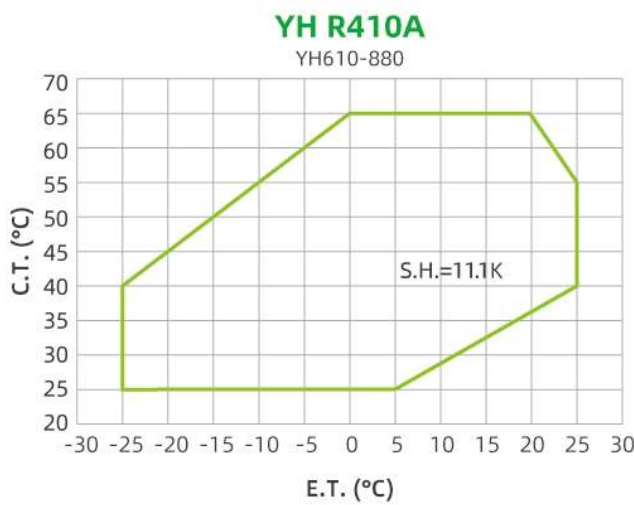
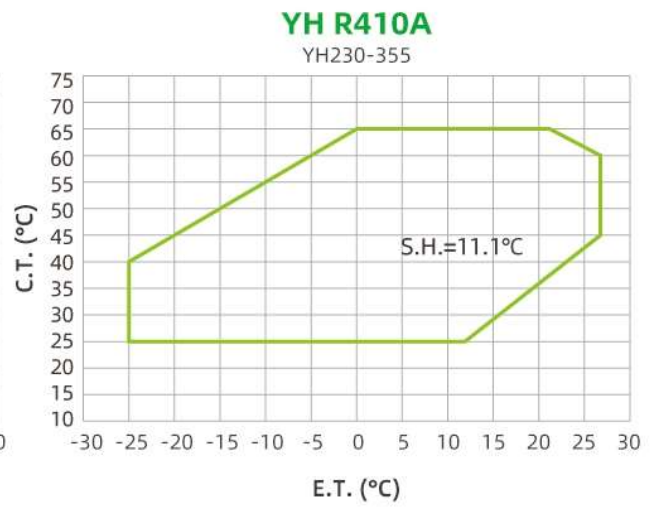
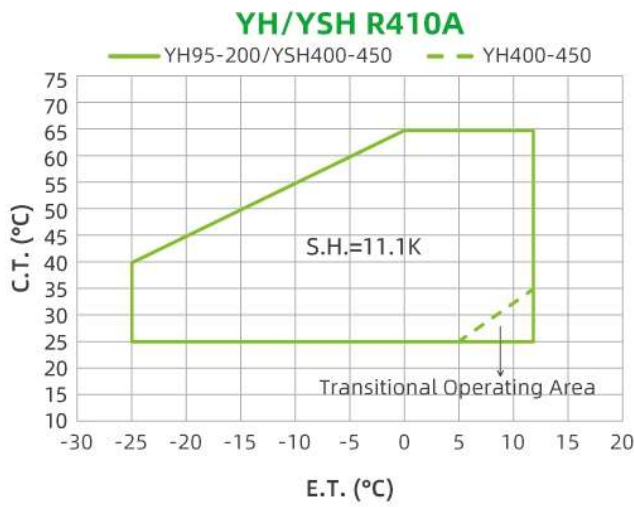


YA98-133 R454B



YA/YH/YSH/YHZ/YIH Series

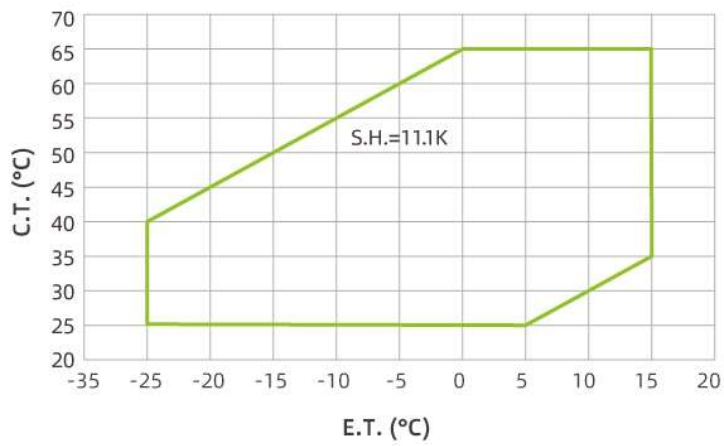
Models Operating Envelope



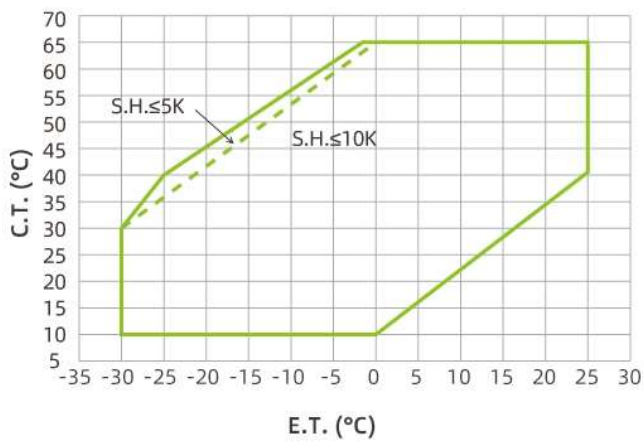
YA/YH/YSH/YHZ/YIH Series

Models Operating Envelope

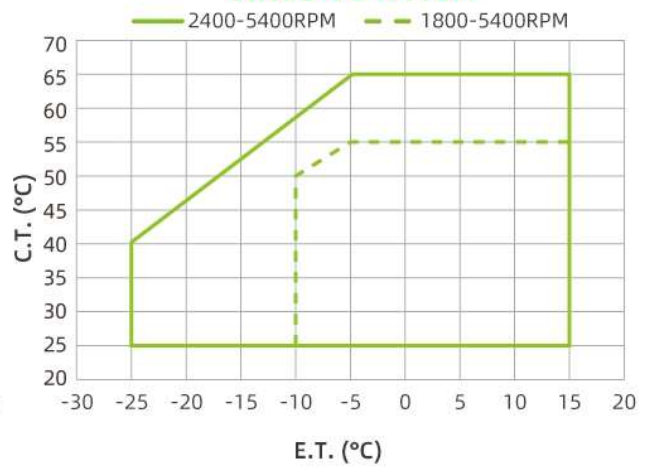
YHZ R407C



YH720D R32

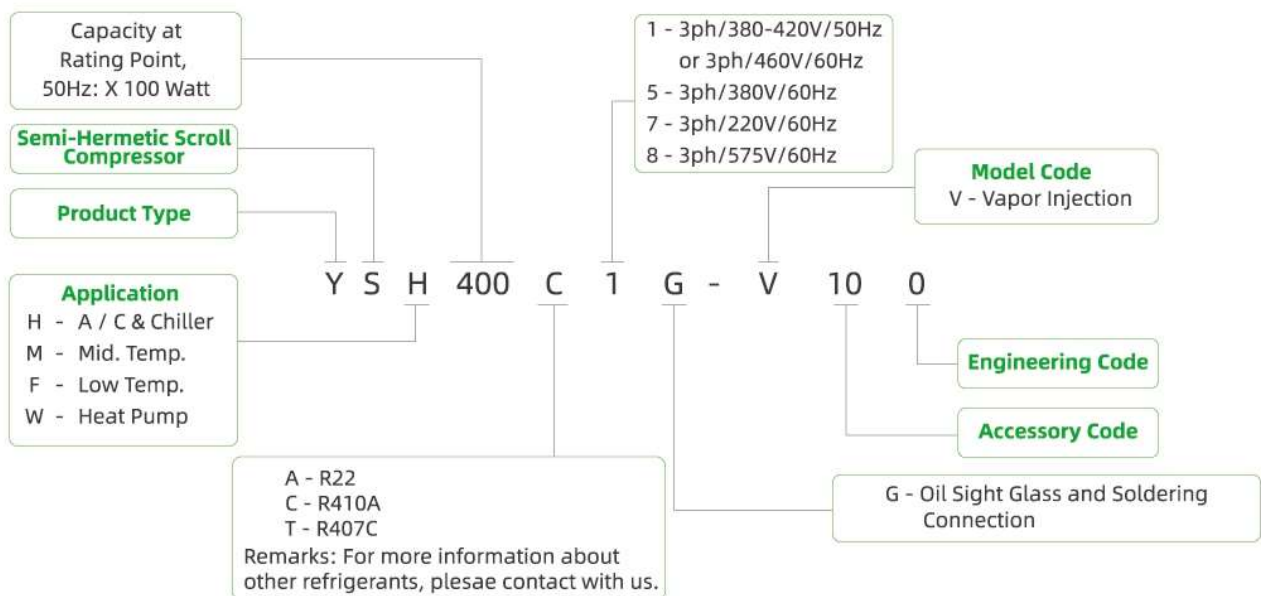
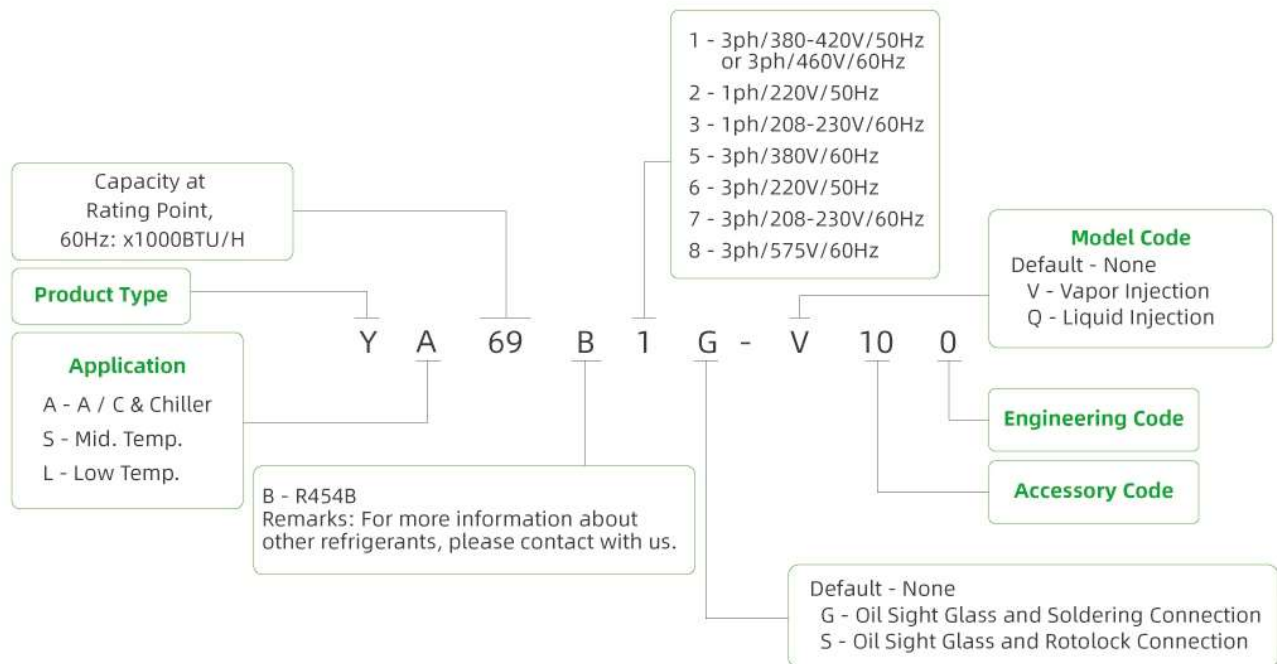


YIH38-72 R410A



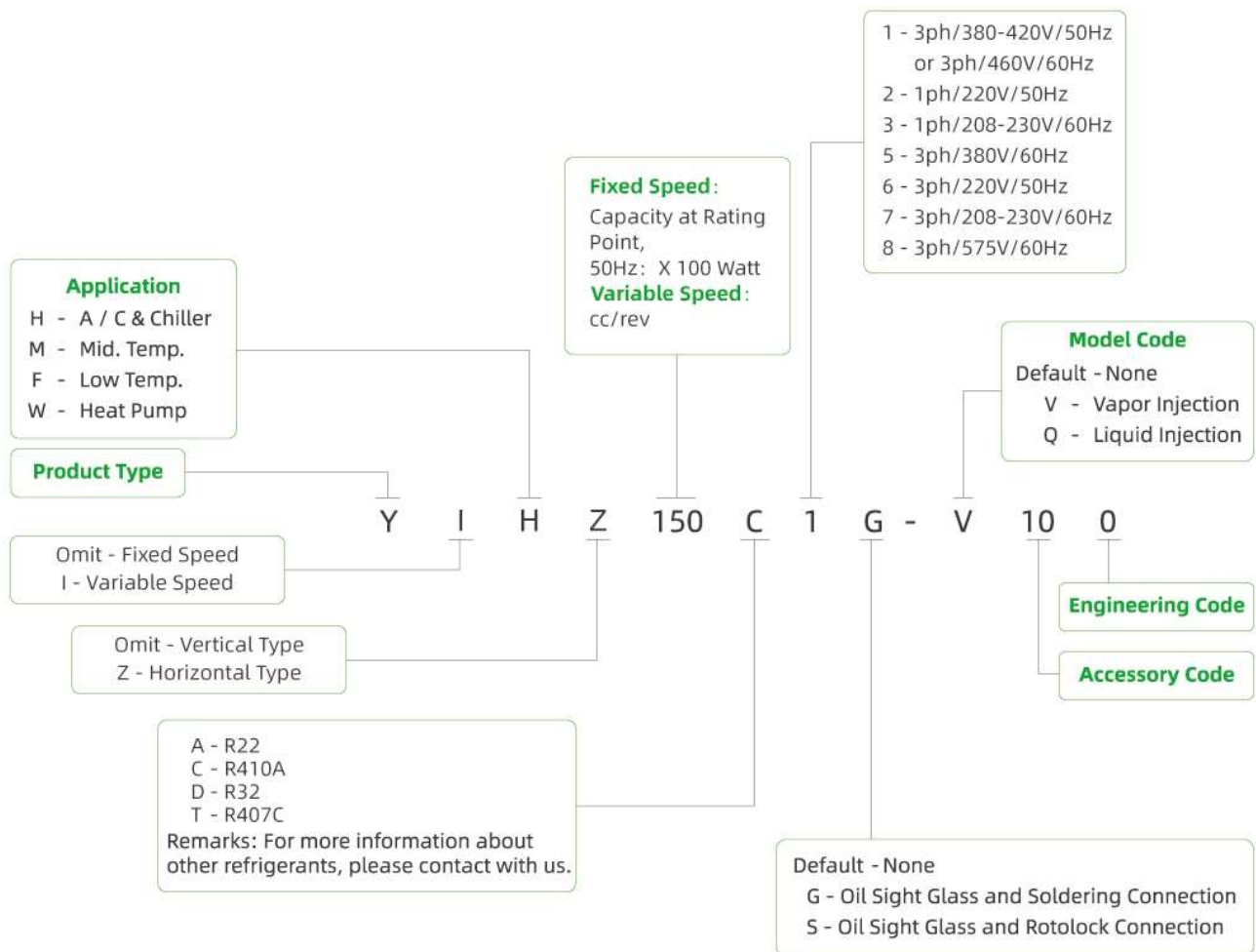
YA/YH/YSH/YHZ/YIH Series

Nomenclature



YA/YH/YSH/YHZ/YIH Series

Nomenclature



YA Series

Specifications

50Hz

R454B

Model	YA40B1 -100	YA42B1 -100	YA50B1 -100	YA52B1 -100	YA59B1 -100	YA69B1 -100	YA74B1 -100	YA78B1 -100
Electricity	380-420V/3~/50Hz							
Power in Horse Power (HP)	3.5	3.7	4	4.3	5	6	6.5	7
Displacement (cc/rev)	38.5	41.4	46	49.4	59.2	66.1	71.3	74.7
Refrigerant	R454B							
Cooling Capacity (W)	9154	10085	11704	12300	14085	16509	17714	18781
Power in Watt (W)	3023	3316	3756	3816	4470	5236	5549	5775
COP (W/W)	3.03	3.04	3.12	3.22	3.15	3.15	3.19	3.25
Running Current (A)	5.6	6.1	7	7.2	8.3	9.3	10.3	10.7
LRA (A)	45	60	60	60	60	65	65	85
MOC (A)	7	8.4	9.2	9.9	12.1	12.1	13	13.6
Crankcase Heater (W)	70							
Fitting Dimensions (mm)								
Discharge Tube (ID)	12.87-12.97							
Suction Tube(ID)	22.35-22.45							
Product Dimensions (mm)								
Length (L)	239							
Width (W)	239							
Height (H)	418				463			
Feet Dimensions (Hole)	190.5×190.5(8.8)							
Oil Type	POE							
Initial Charge Volume (L)	1.4				1.6			
Recharge Volume (L)	1.25				1.45			
Max Pressure (MPa)								
High Side	4							
Low Side	2							
Weight (kg)	30	30	31	31	31	33	33	38

Nominal Working Conditions: E.T. 7.2°C, C.T. 54.4°C, Suction Superheat 11.1K, Subcooling 8.3K

YA/YH Series

Specifications

50Hz

R454B & R32

Model	YA98B1 -100	YA108B1 -100	YA119B1 -100	YA128B1 -100	YA133B1 -100	YH720D1G -100
Electricity	380-420V/3~/50Hz					380-420V/ 3~/50Hz
Power in Horse Power (HP)	8	9	10	11	12	25
Displacement (cc/rev)	90.8	100	107.5	123	131.6	269.0
Refrigerant	R454B					R32
Cooling Capacity (W)	23141	25775	28029	30642	31961	77248
Power in Watt (W)	6968	7806	8496	9432	9716	23297
COP (W/W)	3.32	3.3	3.3	3.25	3.29	3.32
Running Current (A)	13.2	14.3	15	16.5	17	43
LRA (A)	117	117	121	121	121	300.0
MOC (A)	16.5	18	19.3	21.2	23	57.8
Crankcase Heater (W)	90					120
Fitting Dimensions (mm)						
Discharge Tube (ID)	22.35-22.45					28.80-28.90
Suction Tube(ID)	28.83-28.93					41.56-41.66
Product Dimensions (mm)						
Length (L)	260					359.8
Width (W)	244					326.2
Height (H)	506.7					671.2
Feet Dimensions (Hole)	190.5×190.5(8.8)					232×232(8.8)
Oil Type	POE					POE
Initial Charge Volume (L)	2.7		3			5.5
Recharge Volume (L)	2.55		2.85			5.3
Max Pressure (MPa)						
High Side	4					4.4
Low Side	2					1.7
Weight (kg)	54	54	54	54	54	108

Nominal Working Conditions: E.T. 7.2°C, C.T. 54.4°C, Suction Superheat 11.1K, Subcooling 8.3K

YH/YSH Series

50Hz

Specifications

R410A

Model	YH95C2 -100	YH104C2 -100	YH119C2 -100	YH128C2 -100	YH150C2 -100	YH95C1 -100	YH104C1 -100	YH119C1 -100	YH128C1 -100
Electricity	220V/1~/50Hz					380-420V/3~/50Hz			
Power in Horse Power (HP)	3.5	3.7	4	4.3	5	3.5	3.7	4	4.3
Displacement (cc/rev)	38.5	41.4	46	49.4	59.2	38.5	41.4	46	49.4
Refrigerant	R410A								
Cooling Capacity (W)	9583	10700	11900	12800	15000	9500	10700	11900	12800
Power in Watt (W)	3110	3543	3967	4267	4950	3170	3543	3888	4183
COP (W/W)	3.08	3.02	3	3	3.03	3	3.02	3.06	3.06
Running Current (A)	14.4	17.1	19	20.4	23.7	5.8	6.7	7.4	7.7
LRA (A)	76	109	140	140	140	45	60	60	60
MOC (A)	20	22.7	28.4	30.6	35.8	7.5	9	9.9	10.6
Crankcase Heater (W)	70								
Fitting Dimensions (mm)									
Discharge Tube (ID)	12.87-12.97								
Suction Tube(ID)	22.35-22.45								
Product Dimensions (mm)									
Length (L)	239								
Width (W)	239								
Height (H)	418			463			418		
Feet Dimensions (Hole)	190.5×190.5(8.8)								
Oil Type	POE								
Initial Charge Volume (L)	1.4								
Recharge Volume (L)	1.25								
Max Pressure (MPa)									
High Side	4.3								
Low Side	2								
Weight (kg)	33	33	37	37	37	30	31	31	31

Nominal Working Conditions: E.T. 7.2°C, C.T. 54.4°C, Suction Superheat 11.1K, Subcooling 8.3K

YH/YSH Series

Specifications

50Hz
R410A

Model	YH150C1 -100	YH175C1 -100	YH183C1 -100	YH200C1 -100	YH230C1 -100	YH266C1 -100	YH292C1 -100	YH325C1 -100	YH355C1 -100
Electricity	380-420V/3~/50Hz								
Power in Horse Power (HP)	5	6	6.5	7	8	9	10	11	12
Displacement (cc/rev)	59.2	66.1	71.3	74.7	90.8	100	107.5	123	131.6
Refrigerant	R410A								
Cooling Capacity (W)	15000	17300	18300	19600	23000	26600	29200	32500	34800
Power in Watt (W)	4854	5545	5810	6200	7210	8340	9070	10100	10800
COP (W/W)	3.09	3.12	3.15	3.16	3.19	3.19	3.22	3.22	3.22
Running Current (A)	8.6	9.7	10.4	11.6	13.4	14.8	15.8	17.7	18.2
LRA (A)	60	65	65	85	117	117	121	121	121
MOC (A)	13	13.5	14	17.1	18.3	21.1	23.6	25	26.8
Crankcase Heater (W)	70				90				
Fitting Dimensions (mm)									
Discharge Tube (ID)	12.87-12.97				22.35-22.45				
Suction Tube(ID)	22.35-22.45				28.83-28.93				
Product Dimensions (mm)									
Length (L)	239				260				
Width (W)	239				244				
Height (H)	418	463			506.7				
Feet Dimensions (Hole)	190.5×190.5(8.8)								
Oil Type	POE								
Initial Charge Volume (L)	1.4	1.6			2.7		3		
Recharge Volume (L)	1.25	1.45			2.55		2.85		
Max Pressure (MPa)									
High Side	4.3								
Low Side	2								
Weight (kg)	31	33	33	38	53	53	54	54	54

Nominal Working Conditions: E.T. 7.2°C, C.T. 54.4°C, Suction Superheat 11.1K, Subcooling 8.3K

YH/YSH Series

50Hz

Specifications

R410A

Model	YH400C1 -105	YH450C1 -105	YSH400C1G -100	YSH450C1G -100	YH610C1G -100	YH720C1G -100	YH880C1G -100
Electricity	380-420V/3~/50Hz						
Power in Horse Power (HP)	13	15	13	15	20	25	30
Displacement (cc/rev)	142.6	167.2	145.4	167.2	235.6	269	332.8
Refrigerant	R410A						
Cooling Capacity (W)	39250	45044	39500	44500	61900	71200	88000
Power in Watt (W)	12258	13759	12540	14127	18620	21254	26800
COP (W/W)	3.2	3.27	3.15	3.15	3.32	3.35	3.3
Running Current (A)	21.5	24.1	22	24.5	33.6	38.5	50
LRA (A)	148.5	148.5	148.5	148.5	266	266	285
MOC (A)	32.5	36	32.5	36	45	53	66
Crankcase Heater (W)	90		75		120		
Fitting Dimensions (mm)							
Discharge Tube (ID)	22.35-22.45		22.50-22.60		28.80-28.90		
Suction Tube(ID)	28.83-28.93		35.20-35.30		41.56-41.66		
Product Dimensions (mm)							
Length (L)	260		318		359.8		
Width (W)	244		308		326.2		
Height (H)	556.5		584		671.2		
Feet Dimensions (Hole)	190.5×190.5(8.8)		190.5×190.5(10.2)		232×232(8.8)		
Oil Type	POE						
Initial Charge Volume (L)	3.7		3.4		5.5		
Recharge Volume (L)	3.5		3.25		5.3		
Max Pressure (MPa)							
High Side	4.3						
Low Side	2						
Weight (kg)	59	59	90	90	100	104	108

Nominal Working Conditions: E.T. 7.2°C, C.T. 54.4°C, Suction Superheat 11.1K, Subcooling 8.3K

YH/YSH Series

Specifications

50Hz
R407C

Model	YH69T2 -102	YH89T2 -102	YH104T2 -100	YH119T2 -100	YH128T2 -100	YH69T6 -100	YH89T6 -100	YH104T6 -100	YH119T6 -100
Electricity	220V/1~/50Hz					220V/3~/50Hz			
Power in Horse Power (HP)	2	3	3.5	4	4.3	2	3	3.5	4
Displacement (cc/rev)	38.5	49.4	59.2	66.1	71.3	38.5	49.4	59.2	66.1
Refrigerant	R407C								
Cooling Capacity (W)	6530	8540	10180	11420	12290	6500	8609	10213	11995
Power in Watt (W)	2200	2827	3250	3660	3870	2170	2782	3177	3820
COP (W/W)	2.96	3.02	3.13	3.12	3.18	3	3.09	3.21	3.14
Running Current (A)	10.4	13.4	15.4	17.3	18.4	7.6	9.06	11.29	12.7
LRA (A)	76	76	109	109	109	104	104	132	132
MOC (A)	14.6	19.4	21.7	24.4	26.3	9.1	12.1	13.4	16.8
Crankcase Heater (W)	70								
Fitting Dimensions (mm)									
Discharge Tube (ID)	12.87-12.97								
Suction Tube(ID)	22.35-22.45								
Product Dimensions (mm)									
Length (L)	239								
Width (W)	239								
Height (H)	418								
Feet Dimensions (Hole)	190.5×190.5(8.8)								
Oil Type	POE								
Initial Charge Volume (L)	1.4				1.6				
Recharge Volume (L)	1.25				1.45				
Max Pressure (MPa)									
High Side	3								
Low Side	2								
Weight (kg)	31	31	33	33	33	30	30	31.5	31.5

Nominal Working Conditions: E.T. 7.2°C, C.T. 54.4°C, Suction Superheat 11.1K, Subcooling 8.3K

YH/YSH Series

50Hz

Specifications

R407C

Model	YH128T6 -100	YH150T6 -100	YH230T6 -100	YH266T6 -100	YH307T6 -100	YH355T6 -100	YH69T1 -100	YH89T1 -100	YH104T1 -100
Electricity	220V/3~/50Hz						380-420V/3~/50Hz		
Power in Horse Power (HP)	4.3	5	8	9	10	12	2	3	3.5
Displacement (cc/rev)	71.3	83.3	123	142	167.2	189.1	38.5	49.4	59.2
Refrigerant	R407C								
Cooling Capacity (W)	12689	14568	21811	26853	29955	34080	6530	8540	10180
Power in Watt (W)	3962	4569	6616	7894	9075	10240	2160	2680	3190
COP (W/W)	3.2	3.19	3.3	3.4	3.3	3.3	3.02	3.19	3.19
Running Current (A)	12.8	14.3	21.7	25.1	27.5	30.8	4.8	5.3	6.6
LRA (A)	132	132	192.2	192	202.4	202.4	45	45	60
MOC (A)	18.6	20.5	27.1	32	38.2	43.3	6.2	7.6	8.7
Crankcase Heater (W)	70		90				70		
Fitting Dimensions (mm)									
Discharge Tube (ID)	12.87-12.97		22.35-22.45				12.87-12.97		
Suction Tube(ID)	22.35-22.45		28.83-28.93				22.35-22.45		
Product Dimensions (mm)									
Length (L)	239		260				239		
Width (W)	239		244				239		
Height (H)	418		506.7				418		
Feet Dimensions (Hole)	190.5×190.5(8.8)								
Oil Type	POE								
Initial Charge Volume (L)	1.6		2.7		3		1.4		
Recharge Volume (L)	1.45		2.55		2.85		1.25		
Max Pressure (MPa)									
High Side	3								
Low Side	2								
Weight (kg)	31.5	31.5	53	53	56	56	30	30	31

Nominal Working Conditions: E.T. 7.2°C, C.T. 54.4°C, Suction Superheat 11.1K, Subcooling 8.3K

YH/YSH/YHZ Series

50Hz

Specifications

R407C

Model	YH119T1 -100	YH128T1 -100	YH133T1 -100	YH140T1 -100	YH150T1 -100	YH175T1 -100	YH200T1 -100	YHZ82T1 -100	YHZ140T1 -100	YHZ185T1 -100
Electricity	380-420V/3~/50Hz									
Power in Horse Power (HP)	4	4.3	4.5	4.7	5	6	7	3	5	7
Displacement (cc/rev)	66.1	71.3	74.1	77.6	83.3	97.1	108	49.4	83.3	108
Refrigerant	R407C									
Cooling Capacity (W)	11420	12290	12770	13440	14400	16510	19300	8200	13795	18267
Power in Watt (W)	3550	3750	3900	4130	4410	5030	5970	2628	4310	5666
COP (W/W)	3.22	3.28	3.27	3.25	3.27	3.28	3.23	3.12	3.2	3.22
Running Current (A)	7.1	7.6	7.8	8	8.4	9.1	11.2	5.3	8.4	10.8
LRA (A)	60	60	60	60	60	65	85	45	60	85
MOC (A)	9.7	10.2	10.6	11.1	11.6	13.6	16.1	7.6	11.6	16.1
Crankcase Heater (W)	70									
Fitting Dimensions (mm)										
Discharge Tube (ID)	12.87-12.97									
Suction Tube (ID)	22.35-22.45									
Product Dimensions (mm)										
Length (L)	239						558.5		603.5	
Width (W)	239						285			
Height (H)	418				463			174		
Feet Dimensions (Hole)	190.5×190.5(8.8)						220×280(8.8)			
Oil Type	POE									
Initial Charge Volume (L)	1.4				1.6			1.4		1.6
Recharge Volume (L)	1.25				1.45			1.25		1.45
Max Pressure (MPa)										
High Side	3									
Low Side	2									
Weight (kg)	31	31	31	31	31	33	38	34	34	40

Nominal Working Conditions: E.T. 7.2°C, C.T. 54.4°C, Suction Superheat 11.1K, Subcooling 8.3K

YH/YSH Series

50Hz

Specifications

R407C

Model	YH230T1 -100	YH266T1 -100	YH307T1 -100	YH355T1 -100	YH400T1 -105	YH450T1 -100	YSH400T 1G-100	YSH450T 1G-100	YH610T1G -100	YH720T1G -100
Electricity	380-420V/3~/50Hz									
Power in Horse Power (HP)	8	9	10	12	13	15	13	15	20	25
Displacement (cc/rev)	123	142	167.2	189.1	210	246	216.7	244.3	332.6	392
Refrigerant	R407C									
Cooling Capacity (W)	22180	25530	29470	34080	39100	42220	37920	41856	58033	68356
Power in Watt (W)	6770	7780	8910	10240	12100	13156	11734	13145	17444	20547
COP (W/W)	3.28	3.28	3.31	3.33	3.4	3.21	3.23	3.18	3.32	3.32
Running Current (A)	12.9	14.8	15.6	17.8	21.5	20.5	20.4	22.8	31.5	36.7
LRA (A)	117	117	121	121	148.5	170	148.5	148.5	205	266
MOC (A)	17.6	19.7	22.5	25.3	32.2	31.5	27.7	31.6	40	51
Crankcase Heater (W)	90					120	75		120	
Fitting Dimensions (mm)										
Discharge Tube (ID)	22.35-22.45					28.65- 29.05	22.50-22.60		28.80-28.90	
Suction Tube(ID)	28.83-28.93					41.56- 41.86	35.20-35.30		41.56-41.66	
Product Dimensions (mm)										
Length (L)	260					350.9	318		359.8	
Width (W)	244					326.2	308		326.2	
Height (H)	506.7				556.5	611.2	584		671.2	
Feet Dimensions (Hole)	190.5×190.5(8.8)					232×232 (8.8)	190.5×190.5(10.2)		232×232(8.8)	
Oil Type	POE									
Initial Charge Volume (L)	2.7		3		3.7	4.2	3.4		5.5	
Recharge Volume (L)	2.55		2.85		3.45	4	3.25		5.3	
Max Pressure (MPa)										
High Side	3									
Low Side	2									
Weight (kg)	53	53	54	54	57	95	90	90	100	104

Nominal Working Conditions: E.T. 7.2°C, C.T. 54.4°C, Suction Superheat 11.1K, Subcooling 8.3K

YH/YSH Series

Specifications

50Hz
R22

Model	YH69A2 -102	YH89A2 -102	YH104A2 -100	YH119A2 -100	YH128A2 -100	YH133A2 -100	YH140A2 -100	YH150A2 -100
Electricity	220V/1~/50Hz							
Power in Horse Power (HP)	2	3	3.5	4	4.3	4.5	4.7	5
Displacement (cc/rev)	38.5	49.4	59.2	66.1	71.3	74.1	77.6	83.8
Refrigerant	R22							
Cooling Capacity (W)	6800	8900	10600	11900	12800	13300	14000	15000
Power in Watt (W)	2180	2799	3230	3625	3830	4030	4240	4545
COP (W/W)	3.12	3.18	3.28	3.28	3.34	3.3	3.3	3.3
Running Current (A)	10.3	13.3	15.3	17.2	18.2	19.1	20.1	21.7
LRA (A)	76	76	109	109	109	140	140	140
MOC (A)	14.5	19.2	21.5	24.2	26	27	28.4	30.9
Crankcase Heater (W)	70							
Fitting Dimensions (mm)								
Discharge Tube (ID)	12.87-12.97							
Suction Tube(ID)	22.35-22.45							
Product Dimensions (mm)								
Length (L)	239							
Width (W)	239							
Height (H)	418				463			
Feet Dimensions (Hole)	190.5×190.5(8.8)							
Oil Type	3GS							
Initial Charge Volume (L)	1.4							
Recharge Volume (L)	1.25							
Max Pressure (MPa)								
High Side	3							
Low Side	2							
Weight (kg)	31	31	33	33	33	37	37	37

Nominal Working Conditions: E.T. 7.2°C, C.T. 54.4°C, Suction Superheat 11.1K, Subcooling 8.3K

YH/YSH Series

50Hz

Specifications

R22

Model	YH69A1 -100	YH89A1 -100	YH104A1 -100	YH119A1 -100	YH128A1 -100	YH133A1 -100	YH140A1 -100	YH150A1 -100	YH175A1 -100	YH200A1 -100
Electricity	380-420V/3~/50Hz									
Power in Horse Power (HP)	2	3	3.5	4	4.3	4.5	4.7	5	6	7
Displacement (cc/rev)	38.5	49.4	59.2	66.1	71.3	74.1	77.6	83.3	97.1	108
Refrigerant	R22									
Cooling Capacity (W)	6800	8900	10600	11900	12800	13300	14000	15000	17200	20110
Power in Watt (W)	2140	2650	3160	3520	3710	3860	4090	4370	4980	5910
COP (W/W)	3.18	3.35	3.35	3.38	3.45	3.45	3.42	3.42	3.45	3.4
Running Current (A)	4.8	5.3	6.5	7	7.5	7.7	8	8.3	9	10.8
LRA (A)	45	45	60	60	60	60	60	60	65	85
MOC (A)	6.1	7.5	8.6	9.6	10.1	10.5	11	11.5	13.5	16.1
Crankcase Heater (W)	70									
Fitting Dimensions (mm)										
Discharge Tube (ID)	12.87-12.97									
Suction Tube (ID)	22.35-22.45									
Product Dimensions (mm)										
Length (L)	239									
Width (W)	239									
Height (H)	418								463	
Feet Dimensions (Hole)	190.5×190.5(8.8)									
Oil Type	3GS									
Initial Charge Volume (L)	1.4								1.6	
Recharge Volume (L)	1.25								1.45	
Max Pressure (MPa)										
High Side	3									
Low Side	2									
Weight (kg)	30	30	31	31	31	31	31	31	33	38

Nominal Working Conditions: E.T. 7.2°C, C.T. 54.4°C, Suction Superheat 11.1K, Subcooling 8.3K

YH/YSH Series

Specifications

50Hz
R22

Model	YH230A1 -100	YH266A1 -100	YH307A1 -100	YH355A1 -100	YH400A1 -105	YH450A1 -100	YSH400A 1G-100	YSH450A 1G-100	YH610A1 -100	YH720A1 -100
Electricity	380-420V/3~/50Hz									
Power in Horse Power (HP)	8	9	10	12	13	15	13	15	20	25
Displacement (cc/rev)	123	142	167.2	189.1	210	246	216.7	244.3	332.8	392
Refrigerant	R22									
Cooling Capacity (W)	23100	26600	30700	35500	40800	43777	39500	43600	59224	69759
Power in Watt (W)	6700	7700	8820	10140	12000	12991	11618	13015	17575	20701
COP (W/W)	3.45	3.45	3.48	3.5	3.4	3.37	3.4	3.35	3.37	3.37
Running Current (A)	12.7	14.6	15.4	17.6	21.2	20.5	20.2	22.6	31.5	36.7
LRA (A)	117	117	121	121	148.5	170	148.5	148.5	266	266
MOC (A)	17.4	19.5	22.3	25	32	31.5	27.4	31.3	40	50.1
Crankcase Heater (W)	90			120			75		120	
Fitting Dimensions (mm)										
Discharge Tube (ID)	22.35-22.45				28.65 -29.05		22.50-22.60		28.80-28.90	
Suction Tube(ID)	28.83-28.93				41.56 -41.86		35.20-35.30		41.56-41.66	
Product Dimensions (mm)										
Length (L)	260				350.9		318		359.8	
Width (W)	244				326.2		308		326.2	
Height (H)	506.7			556.5			611.2		671.2	
Feet Dimensions (Hole)	190.5×190.5(8.8)				232×232 (8.8)		190.5×190.5(10.2)		232×232(8.8)	
Oil Type	3GS									
Initial Charge Volume (L)	2.7		3		3.7		4.2		5.5	
Recharge Volume (L)	2.55		2.85		3.45		4		5.3	
Max Pressure (MPa)										
High Side	3									
Low Side	2									
Weight (kg)	53	53	54	54	57	95	90	90	104	104

Nominal Working Conditions: E.T. 7.2°C, C.T. 54.4°C, Suction Superheat 11.1K, Subcooling 8.3K

YIH Series

Specifications

Variable Speed

R410A

Model	YIH38C1G-100	YIH42C1G-100	YIH50C1G-100	YIH60C1G-100	YIH72C1G-100
Power Input to Inverter Driver	380-420V/3~/50Hz or 60Hz				
Displacement (cc/rev)	38	42	50	60	72
Refrigerant	R410A				
Cooling Capacity (W)	16158	17858	21260	25111	29769
Power in Watt (W)	4995	5521	6572	7814	9190
COP (W/W)	3.23	3.23	3.23	3.21	3.24
Running Current (A)	8.4	8.7	12.3	13.7	15.8
MOC (A)	12.9	13.3	18.8	21	24.2
Rated Motor Speed (RPM)	4500				
Running Speed (RPM)	1800-5400				
Crankcase Heater (W)	70				
Fitting Dimensions (mm)					
Discharge Tube(ID)	12.87-12.97				
Suction Tube(ID)	22.35-22.45				
Product Dimensions (mm)					
Length (L)	239				
Width (W)	239				
Height (H)	419				
Feet Dimensions (hole)	190.5×190.5(8.8)				
Oil Type	POE				
Initial Charge Volume (L)	1.4				
Recharge Volume (L)	1.25				
Max Pressure (MPa)					
High Side	4.3				
Low Side	2				
Weight (kg)	29.5	29.5	29.5	29.5	29.5

Nominal working conditions: E.T. 7.2°C, C.T. 54.4°C, Suction Superheat 11.1K, Subcooling 8.3K @4500 RPM

Model	YIH38C1G-100	YIH42C1G-100	YIH50C1G-100	YIH60C1G-100	YIH72C1G-100
Motor Speed (RPM)	1800				
Cooling Capacity (W)	6221	6875	8185	9668	11461
Power in Watt (W)	2128	2352	2800	3329	3915
Motor Speed (RPM)	3600				
Cooling Capacity (W)	12926	14286	17008	20089	23815
Power in Watt (W)	3996	4417	5258	6251	7352
Motor Speed (RPM)	5400				
Cooling Capacity (W)	19390	21430	25512	30133	35723
Power in Watt (W)	6124	6769	8057	9580	11267

E.T. 7.2°C, C.T. 54.4°C, Suction Superheat 11.1K, Subcooling 8.3K @1800 RPM, 3600 RPM & 5400 RPM

YA Series

Capacity

50Hz

R454B

Model	C.T. (°C)	E.T. (°C)								
		-25	-20	-15	-10	-5	0	5	10	
YA40B1-100	Capacity (W)	65						6159	7160	8447
		60						6558	7762	9234
		55					5903	7027	8393	10009
		50				5216	6265	7527	9014	10735
		45			4521	5496	6660	8020	9588	11372
		40		3837	4743	5810	7049	8467	10075	11882
		35	3186	4027	5002	6121	7393	8828	10436	12226
	30	3369	4255	5258	6388	7654	9066	10633	12365	
	25	3592	4483	5473	6574	7793	9141	10627	12261	
	Watt (W)	65						3909	3891	3879
		60						3445	3438	3437
		55					3060	3056	3058	3067
		50				2728	2726	2730	2740	2757
		45			2441	2442	2447	2456	2473	2497
40			2193	2196	2201	2209	2224	2245	2274	
35		1976	1979	1984	1992	2003	2021	2045	2078	
YA42B1-100	Capacity (W)	65						6785	7889	9307
		60						7225	8552	10173
		55					6503	7742	9247	11028
		50				5747	6902	8293	9932	11827
		45			4981	6055	7337	8836	10564	12529
		40		4227	5226	6402	7766	9328	11100	13091
		35	3511	4437	5511	6743	8145	9726	11498	13470
	30	3712	4688	5793	7038	8433	9988	11715	13623	
	25	3958	4939	6030	7242	8586	10071	11708	13508	
	Watt (W)	65						4288	4268	4255
		60						3779	3771	3771
		55					3357	3352	3354	3364
		50				2992	2991	2995	3006	3025
		45			2678	2679	2684	2695	2712	2739
40			2405	2408	2414	2424	2439	2462	2495	
35		2167	2171	2177	2185	2198	2217	2243	2280	
YA50B1-100	Capacity (W)	65						7875	9156	10801
		60						8385	9925	11807
		55					7548	8985	10731	12798
		50				6670	8010	9625	11526	13726
		45			5780	7028	8515	10255	12260	14541
		40		4906	6065	7430	9013	10826	12882	15193
		35	4074	5149	6396	7826	9453	11288	13344	15633
	30	4308	5441	6723	8168	9787	11592	13596	15811	
	25	4593	5732	6999	8405	9964	11688	13588	15677	
	Watt (W)	65						4857	4834	4819
		60						4280	4271	4270
		55					3802	3797	3799	3811
		50				3389	3387	3392	3404	3426
		45			3033	3034	3040	3052	3072	3102
40			2724	2728	2734	2745	2763	2789	2826	
35		2455	2459	2465	2474	2489	2510	2541	2582	
30	2220	2224	2231	2241	2257	2281	2314	2358		
25	2002	2006	2011	2021	2037	2060	2094	2139		

Capacity @ Super Heat 11K, Subcooling 8.3K

YA Series

Capacity

50Hz

R454B

Model	C.T. (°C)	E.T. (°C)							
		-25	-20	-15	-10	-5	0	5	10
YA52B1-100	Capacity (W)	65					8276	9622	11351
		60					8812	10430	12408
		55					7932	9443	11278
		50				7010	8418	10115	12114
		45			6075	7386	8949	10778	12884
		40		5156	6374	7808	9472	11378	13539
		35	4282	5411	6721	8225	9935	11863	14024
	30	4528	5718	7066	8584	10285	12182	14288	
	25	4827	6024	7355	8834	10472	12283	14280	
	Watt (W)	65					4934	4911	4896
		60					4348	4339	4338
		55					3862	3857	3859
		50				3443	3441	3446	3458
		45			3081	3082	3088	3100	3121
40			2768	2771	2778	2789	2807	2833	
35		2494	2498	2504	2514	2528	2550	2581	
YA59B1-100	Capacity (W)	65					9477	11018	12998
		60					10091	11943	14208
		55					9083	10813	12914
		50				8027	9640	11583	13871
		45			6956	8457	10247	12341	14753
		40		5904	7298	8941	10846	13028	15503
		35	4903	6196	7697	9418	11376	13584	16058
	30	5185	6548	8091	9829	11777	13950	16361	
	25	5527	6898	8422	10115	11991	14065	16352	
	Watt (W)	65					5780	5753	5735
		60					5094	5083	5082
		55					4524	4518	4521
		50				4033	4031	4037	4051
		45			3609	3611	3618	3632	3656
40			3242	3246	3254	3267	3288	3319	
35		2921	2927	2934	2945	2962	2988	3024	
YA69B1-100	Capacity (W)	65					11108	12914	15235
		60					11828	13999	16654
		55					10646	12674	15137
		50				9408	11299	13576	16258
		45			8153	9913	12011	14465	17293
		40		6920	8554	10480	12713	15271	18171
		35	5747	7263	9021	11039	13334	15922	18822
	30	6077	7675	9484	11521	13804	16351	19177	
	25	6479	8085	9872	11856	14055	16486	19166	
	Watt (W)	65					6772	6740	6720
		60					5968	5955	5954
		55					5301	5294	5297
		50				4725	4723	4729	4746
		45			4229	4231	4239	4255	4283
40			3799	3803	3812	3827	3852	3889	
35		3423	3429	3437	3450	3470	3500	3543	
30	3095	3101	3111	3125	3147	3180	3226		
25	2792	2796	2804	2818	2840	2873	2920		

Capacity @ Super Heat 11K, Subcooling 8.3K

YA Series

Capacity

50Hz

R454B

Model	C.T. (°C)	E.T. (°C)									
		-25	-20	-15	-10	-5	0	5	10		
YA74B1-100	Capacity (W)	65						11918	13857	16347	
		60						12691	15020	17869	
		55					11423	13599	16242	19370	
		50				10095	12123	14567	17445	20774	
		45			8748	10636	12887	15521	18555	22007	
		40		7425	9179	11244	13640	16385	19497	22994	
		35	6166	7793	9680	11845	14307	17084	20196	23660	
	30	6520	8235	10176	12362	14812	17544	20577	23929		
	25	6952	8675	10592	12721	15080	17689	20565	23726		
	Watt (W)	65						7175	7141	7119	
		60						6323	6309	6308	
		55					5616	5609	5612	5629	
		50				5006	5004	5011	5029	5061	
		45			4480	4482	4491	4508	4538	4583	
40			4025	4030	4039	4055	4081	4120	4174		
35		3626	3633	3642	3655	3677	3708	3754	3815		
YA78B1-100	Capacity (W)	65						12636	14692	17332	
		60						13456	15926	18946	
		55					12111	14418	17220	20537	
		50				10703	12854	15445	18496	22026	
		45			9275	11277	13664	16456	19673	23334	
		40		7872	9732	11922	14462	17372	20672	24380	
		35	6538	8262	10263	12558	15169	18114	21413	25086	
	30	6913	8731	10789	13107	15704	18601	21817	25371		
	25	7370	9198	11230	13488	15989	18755	21804	25156		
	Watt (W)	65						7468	7433	7411	
		60						6582	6567	6566	
		55					5846	5838	5842	5859	
		50				5211	5209	5216	5234	5268	
		45			4663	4665	4674	4693	4724	4770	
40			4189	4194	4204	4221	4248	4288	4345		
35		3775	3782	3791	3805	3827	3860	3907	3971		
YA98B1-100	Capacity (W)	65							18096	21348	
		60						16574	19616	23336	
		55					14918	17759	21211	25296	
		50				13183	15833	19024	22782	27130	
		45			11425	13890	16830	20269	24231	28741	
		40	7789	9696	11987	14685	17813	21398	25462	30030	
		35	8053	10177	12641	15469	18684	22311	26375	30899	
	30	8515	10754	13289	16144	19343	22911	26872	31250		
	25	9078	11329	13833	16613	19694	23101	26856	30986		
	Watt (W)	65							7941	7924	7922
		60						7941	7924	7922	
		55					7053	7044	7048	7069	
		50				6287	6284	6293	6315	6355	
		45			5626	5629	5640	5662	5699	5755	
40		5050	5054	5061	5072	5093	5125	5174	5242		
35		4554	4562	4573	4591	4617	4657	4714	4791		

Capacity @ Super Heat 11K, Subcooling 8.3K

YA Series

Capacity

50Hz

R454B

Model	C.T. (°C)	E.T. (°C)								
		-25	-20	-15	-10	-5	0	5	10	
YA108B1-100	Capacity (W)	65						20156	23778	
		60					18460	21849	25992	
		55					16616	19781	23625	28175
		50				14684	17635	21189	25375	30218
		45			12725	15471	18746	22577	26990	32012
		40	8675	10800	13351	16356	19841	23833	28360	33448
	Watt (W)	35	8969	11336	14080	17229	20810	24851	29377	34415
		30	9484	11978	14802	17982	21545	25519	29931	34807
		25	10112	12619	15407	18504	21936	25730	29913	34512
		65						10046	10016	
		60						8896	8876	8875
		55					7901	7891	7895	7919
YA119B1-100	Capacity (W)	50				7043	7040	7049	7075	7120
		45			6303	6306	6318	6343	6384	6447
		40	5657	5662	5669	5682	5705	5742	5796	5872
		35	5102	5111	5123	5143	5173	5217	5281	5367
		30	4613	4623	4637	4658	4691	4740	4809	4901
		25	4162	4168	4180	4200	4232	4282	4352	4446
	Watt (W)	65						21918	25858	
		60						20074	23760	28266
		55					18069	21511	25691	30639
		50				15968	19177	23042	27594	32861
		45			13838	16824	20385	24551	29350	34812
		40	9434	11745	14519	17786	21576	25918	30840	36373
Watt (W)	35	9754	12327	15311	18736	22630	27024	31946	37425	
	30	10314	13026	16096	19554	23429	27751	32548	37851	
	25	10996	13722	16755	20122	23854	27980	32529	37531	
	65						9682	9661	9660	
	60						8599	8588	8593	8619
	55					7665	7662	7672	7700	7749
YA128B1-100	Capacity (W)	45			6860	6863	6876	6903	6949	7017
		40	6157	6163	6170	6184	6209	6249	6309	6392
		35	5553	5563	5576	5597	5630	5678	5748	5841
		30	5021	5031	5046	5070	5106	5159	5234	5334
		25	4529	4537	4549	4571	4607	4660	4736	4839
		65						23962	28268	
	Watt (W)	60						21946	25974	30900
		55					19753	23516	28086	33496
		50				17457	20965	25190	30166	35924
		45			15128	18393	22286	26840	32086	38057
		40	10313	12839	15872	19444	23588	28334	33715	39763
		35	10663	13476	16738	20482	24740	29543	34924	40914
Watt (W)	30	11275	14240	17596	21377	25613	30338	35583	41379	
	25	12021	15002	18317	21998	26078	30589	35562	41029	
	65						10749	10725	10724	
	60						9547	9534	9540	9569
	55					8510	8507	8518	8548	8603
	50				7616	7619	7634	7664	7714	7790
Watt (W)	45			6835	6841	6850	6866	6893	6938	7004
	40	6164	6176	6191	6214	6250	6304	6381	6485	
	35	5574	5586	5602	5628	5669	5728	5811	5922	
	30	5028	5037	5050	5075	5114	5174	5258	5372	

Capacity @ Super Heat 11K, Subcooling 8.3K

YA/YH Series

50Hz

Capacity

R454B

Model	C.T. (°C)	E.T. (°C)								
		-25	-20	-15	-10	-5	0	5	10	
YA133B1-100	Capacity (W)	65						24993	29485	
		60					22890	27092	32230	
		55					20604	24528	29295	34937
		50				18208	21867	26275	31465	37471
		45			15779	19184	23245	27995	33467	39695
		40	10757	13392	16556	20281	24603	29553	35166	41475
	Watt (W)	35	11122	14056	17459	21364	25805	30815	36427	42675
		30	11761	14853	18354	22297	26716	31644	37114	43160
		25	12538	15647	19105	22945	27200	31905	37092	42795
		65						11072	11048	11047
		60					9834	9821	9827	9857
		55				8766	8763	8774	8806	8862
Watt (W)	50			7845	7849	7864	7895	7947	8025	
	45	7041	7047	7056	7072	7101	7147	7214	7309	
	40	7041	7047	7056	7072	7101	7147	7214	7309	
	35	6350	6362	6377	6401	6438	6494	6573	6680	
	30	5742	5754	5771	5798	5839	5900	5986	6100	
	25	5180	5188	5202	5227	5268	5329	5416	5534	

Capacity @ Super Heat 11K, Subcooling 8.3K

Capacity

R32

Model	C.T. (°C)	E.T. (°C)							
		-25	-20	-15	-10	-5	0	5	10
YH720D1G-100	Capacity (W)	65					45881	56250	68192
		60					43736	53359	64429
		55				39837	48683	58850	70697
		50			35051	43089	52321	63109	75812
		45		30246	37445	45712	55409	66895	80529
		40	26291	32619	39891	48466	58703	70964	85608
	Watt (W)	35	29481	35725	43147	52105	62961	76074	91804
		30	34083	40320	47969	57389	68940	82982	99874
		25	40855	47162	55115	65073	77396	92444	110577
		65						28994	29380
		60					25660	25996	26262
		55				22780	23079	23320	23521
Watt (W)	50			20268	20542	20770	20971	21160	
	45		18035	18297	18525	18738	18952	19185	
	40	15994	16256	16497	16735	16986	17267	17598	
	35	14332	14599	14873	15174	15517	15921	16403	
	30	12742	13067	13429	13847	14337	14917	15605	
	25	11226	11663	12168	12757	13448	14259	15208	

Capacity @ Super Heat 11K, Subcooling 8.3K

YH Series

Capacity

50Hz

R410A

Model	C.T. (°C)	E.T. (°C)								
		-25	-20	-15	-10	-5	0	5	10	
YH95C2-100	Capacity (W)	65						5921	7251	8780
		60					5448	6675	8068	9678
		55				4899	6044	7322	8784	10482
		50			4284	5368	6553	7888	9426	11218
		45		3616	4661	5772	7002	8401	10021	11913
		40	2906	3932	4993	6138	7420	8889	10597	12596
		35	3195	4225	5307	6492	7832	9378	11181	13293
	30	3481	4521	5631	6863	8267	9896	11800	14031	
	25	3791	4847	5992	7276	8752	10469	12481	14838	
	Watt (W)	65						4394	4349	4317
		60					3909	3862	3823	3796
		55				3498	3450	3408	3375	3355
		50			3145	3100	3058	3022	2996	2984
		45		2836	2798	2759	2723	2694	2676	2671
40		2556	2528	2496	2463	2435	2414	2404	2408	
35		2275	2253	2228	2203	2182	2170	2169	2183	
30	2017	2002	1984	1967	1955	1952	1961	1987		
25	1770	1763	1753	1746	1744	1751	1771	1808		
YH104C2-100	Capacity (W)	65						6612	8097	9804
		60					6084	7454	9009	10807
		55				5470	6749	8176	9808	11704
		50			4784	5995	7317	8808	10525	12526
		45		4038	5204	6446	7819	9381	11190	13303
		40	3245	4391	5575	6854	8285	9926	11833	14065
		35	3567	4718	5926	7250	8746	10472	12485	14843
	30	3887	5048	6288	7663	9231	11050	13176	15667	
	25	4233	5413	6691	8125	9772	11690	13937	16568	
	Watt (W)	65						4735	4687	4651
		60					4200	4147	4105	4075
		55				3745	3692	3646	3610	3588
		50			3355	3306	3260	3220	3191	3178
		45		3013	2971	2929	2889	2858	2837	2833
40		2704	2673	2638	2602	2571	2547	2536	2542	
35		2394	2370	2342	2314	2292	2278	2277	2294	
30	2109	2092	2072	2054	2041	2038	2048	2076		
25	1836	1828	1818	1809	1807	1815	1838	1879		
YH119C2-100	Capacity (W)	65						7417	9083	10998
		60					6825	8362	10106	12123
		55				6136	7571	9171	11003	13130
		50			5366	6725	8208	9881	11807	14052
		45		4529	5838	7231	8771	10524	12553	14923
		40	3640	4926	6254	7689	9294	11135	13275	15778
		35	4002	5292	6648	8133	9811	11747	14006	16651
	30	4360	5663	7054	8596	10356	12396	14781	17576	
	25	4749	6072	7506	9114	10963	13114	15634	18586	
	Watt (W)	65						5284	5231	5192
		60					4701	4644	4597	4565
		55				4206	4149	4098	4059	4035
		50			3782	3728	3678	3635	3603	3588
		45		3410	3365	3318	3275	3240	3218	3213
40		3074	3040	3001	2962	2928	2903	2890	2896	
35		2736	2709	2679	2649	2624	2609	2608	2626	
30	2425	2407	2386	2365	2351	2348	2359	2389		
25	2129	2120	2109	2099	2097	2105	2129	2174		

Capacity @ Super Heat 11K, Subcooling 8.3K

YH Series

Capacity

50Hz

R410A

Model	C.T. (°C)	E.T. (°C)								
		-25	-20	-15	-10	-5	0	5	10	
YH128C2-100	Capacity (W)	65					7978	9770	11830	
		60					7341	8994	10871	13040
		55				6601	8143	9865	11835	14123
		50			5772	7233	8829	10628	12700	15114
		45		4872	6280	7778	9435	11320	13502	16052
		40	3915	5298	6727	8270	9997	11977	14279	16972
		35	4304	5693	7151	8748	10553	12636	15065	17910
	30	4690	6091	7587	9247	11139	13333	15899	18905	
	25	5108	6531	8073	9804	11792	14106	16816	19992	
	Watt (W)	65					5056	4995	4945	4910
		60				4524	4463	4408	4366	4340
		55			4068	4010	3956	3909	3876	3859
		50		3668	3619	3569	3523	3485	3461	3456
		45	3306	3269	3228	3186	3149	3122	3109	3115
40		2943	2914	2881	2849	2823	2806	2805	2824	
35		2609	2589	2566	2544	2529	2525	2537	2570	
25	2290	2280	2268	2258	2255	2265	2291	2338		
YH150C2-100	Capacity (W)	65					9350	11449	13864	
		60					8603	10540	12739	15282
		55				7735	9543	11561	13869	16550
		50			6764	8477	10346	12455	14883	17712
		45		5709	7359	9114	11056	13265	15823	18811
		40	4588	6209	7883	9692	11715	14035	16733	19889
		35	5044	6671	8380	10251	12367	14807	17654	20989
	30	5496	7138	8891	10836	13053	15625	18631	22154	
	25	5986	7653	9461	11489	13818	16531	19707	23428	
	Watt (W)	65					5867	5796	5737	5697
		60				5250	5178	5115	5065	5035
		55			4720	4653	4590	4536	4497	4478
		50		4256	4199	4141	4087	4044	4016	4009
		45	3836	3794	3745	3697	3654	3622	3607	3614
40		3415	3381	3343	3306	3275	3256	3255	3277	
35		3027	3004	2977	2952	2935	2930	2944	2982	
25	2657	2646	2631	2620	2617	2627	2658	2713		
YH95C1-100	Capacity (W)	65					5921	7251	8780	
		60					5448	6675	8068	9678
		55				4899	6044	7322	8784	10482
		50			4284	5368	6553	7888	9426	11218
		45		3616	4661	5772	7002	8401	10021	11913
		40	2906	3932	4993	6138	7420	8889	10597	12596
		35	3195	4225	5307	6492	7832	9378	11181	13293
	30	3481	4521	5631	6863	8267	9896	11800	14031	
	25	3791	4847	5992	7276	8752	10469	12481	14838	
	Watt (W)	65					3786	3739	3700	3674
		60				3376	3329	3287	3254	3235
		55			3025	2980	2939	2903	2877	2865
		50		2717	2679	2640	2605	2576	2558	2554
		45	2438	2410	2378	2346	2318	2297	2287	2292
40		2158	2136	2111	2086	2066	2054	2053	2068	
35		1901	1886	1868	1852	1840	1837	1847	1872	
25	1655	1648	1639	1631	1629	1636	1657	1694		

Capacity @ Super Heat 11K, Subcooling 8.3K

YH Series

Capacity

50Hz

R410A

Model	C.T. (°C)	E.T. (°C)								
		-25	-20	-15	-10	-5	0	5	10	
YH104C1-100	Capacity (W)	65					6482	7938	9612	
		60				5965	7308	8832	10595	
		55				5363	6616	8015	9616	11475
		50			4690	5877	7173	8635	10319	12281
		45		3958	5102	6319	7666	9197	10971	13042
		40	3181	4305	5466	6720	8123	9731	11601	13789
		35	3497	4625	5810	7107	8574	10267	12240	14552
	Watt (W)	30	3810	4949	6165	7513	9050	10833	12918	15360
		25	4150	5306	6560	7966	9581	11461	13663	16243
		65						4643	4595	4560
		60					4117	4066	4024	3995
		55				3671	3620	3575	3539	3518
		50			3289	3241	3196	3157	3129	3115
		45		2954	2913	2871	2833	2802	2782	2777
YH119C1-100	Capacity (W)	40	2651	2621	2586	2551	2520	2498	2487	2492
		35	2347	2323	2296	2269	2247	2233	2233	2249
		30	2067	2051	2032	2014	2001	1998	2008	2036
		25	1800	1792	1782	1774	1772	1780	1802	1842
		65						7417	9083	10998
		60					6825	8362	10106	12123
		55				6136	7571	9171	11003	13130
	Watt (W)	50			5366	6725	8208	9881	11807	14052
		45		4529	5838	7231	8771	10524	12553	14923
		40	3640	4926	6254	7689	9294	11135	13275	15778
		35	4002	5292	6648	8133	9811	11747	14006	16651
		30	4360	5663	7054	8596	10356	12396	14781	17576
		25	4749	6072	7506	9114	10963	13114	15634	18586
		65						5243	5189	5150
Watt (W)	60					4650	4592	4544	4512	
	55				4146	4088	4037	3997	3972	
	50			3714	3660	3609	3565	3533	3518	
	45		3336	3290	3243	3199	3164	3141	3136	
	40	2994	2959	2920	2881	2846	2820	2808	2814	
	35	2650	2623	2593	2562	2537	2522	2521	2539	
	30	2334	2316	2294	2274	2260	2256	2268	2299	
25	2033	2024	2012	2003	2001	2010	2034	2080		
YH128C1-100	Capacity (W)	65					7978	9770	11830	
		60					7341	8994	10871	13040
		55				6601	8143	9865	11835	14123
		50			5772	7233	8829	10628	12700	15114
		45		4872	6280	7778	9435	11320	13502	16052
		40	3915	5298	6727	8270	9997	11977	14279	16972
		35	4304	5693	7151	8748	10553	12636	15065	17910
	Watt (W)	30	4690	6091	7587	9247	11139	13333	15899	18905
		25	5108	6531	8073	9804	11792	14106	16816	19992
		65						5639	5582	5539
		60					5001	4939	4888	4853
		55				4460	4397	4342	4299	4273
		50			3995	3937	3882	3835	3800	3784
		45		3589	3539	3488	3441	3403	3379	3373
40	3220	3183	3141	3099	3061	3034	3021	3027		
35	2851	2822	2789	2756	2729	2713	2712	2732		
30	2511	2491	2468	2446	2431	2427	2439	2473		
25	2187	2177	2165	2155	2152	2162	2188	2237		

Capacity @ Super Heat 11K, Subcooling 8.3K

YH Series

Capacity

50Hz

R410A

Model	C.T. (°C)	E.T. (°C)								
		-25	-20	-15	-10	-5	0	5	10	
YH150C1-100	Capacity (W)	65						9350	11449	13864
		60					8603	10540	12739	15282
		55				7735	9543	11561	13869	16550
		50			6764	8477	10346	12455	14883	17712
		45		5709	7359	9114	11056	13265	15823	18811
		40	4588	6209	7883	9692	11715	14035	16733	19889
	Watt (W)	35	5044	6671	8380	10251	12367	14807	17654	20989
		30	5496	7138	8891	10836	13053	15625	18631	22154
		25	5986	7653	9461	11489	13818	16531	19707	23428
		65						6545	6478	6428
		60					5804	5732	5673	5632
		55				5175	5103	5039	4989	4959
YH175C1-100	Capacity (W)	50			4636	4569	4505	4450	4410	4391
		45		4164	4107	4048	3993	3949	3921	3915
		40	3737	3694	3645	3596	3553	3521	3505	3513
		35	3308	3275	3236	3198	3167	3148	3147	3170
		30	2914	2891	2864	2839	2821	2816	2831	2870
		25	2538	2526	2512	2500	2497	2509	2540	2596
	Watt (W)	65						10783	13205	15989
		60					9922	12156	14692	17625
		55				8921	11006	13333	15996	19088
		50			7802	9776	11933	14364	17165	20428
		45		6585	8488	10512	12751	15299	18249	21695
		40	5291	7161	9092	11178	13512	16187	19298	22938
YH183C1-100	Capacity (W)	35	5818	7694	9664	11823	14263	17078	20361	24207
		30	6338	8233	10254	12497	15055	18021	21488	25551
		25	6903	8827	10912	13250	15937	19065	22728	27020
		65						7475	7399	7343
		60					6630	6547	6479	6433
		55				5912	5829	5756	5698	5664
	Watt (W)	50			5296	5219	5145	5083	5038	5016
		45		4757	4691	4623	4561	4511	4479	4472
		40	4269	4219	4164	4108	4058	4021	4004	4013
		35	3779	3741	3697	3653	3618	3596	3595	3621
		30	3328	3302	3271	3242	3222	3217	3233	3278
		25	2899	2886	2869	2856	2853	2865	2901	2966
YH183C1-100	Capacity (W)	65					11406	13968	16914	
		60					10495	12859	15542	18644
		55				9437	11642	14104	16921	20191
		50			8253	10341	12622	15195	18157	21609
		45		6965	8978	11120	13488	16184	19304	22949
		40	5597	7575	9618	11824	14293	17123	20414	24264
	Watt (W)	35	6154	8139	10223	12506	15087	18065	21538	25606
		30	6705	8709	10847	13220	15925	19062	22730	27028
		25	7302	9337	11542	14016	16858	20167	24042	28582
		65						7832	7752	7693
		60					6946	6859	6789	6740
		55				6194	6107	6030	5970	5934
Watt (W)	50			5549	5468	5391	5326	5278	5255	
	45		4984	4915	4844	4779	4726	4693	4685	
	40	4472	4421	4362	4304	4252	4213	4195	4204	
	35	3959	3919	3873	3828	3790	3768	3766	3794	
	30	3487	3460	3427	3397	3376	3370	3388	3434	
	25	3037	3023	3006	2992	2989	3002	3039	3107	

Capacity @ Super Heat 11K, Subcooling 8.3K

YH Series

Capacity

50Hz

R410A

Model	C.T. (°C)	E.T. (°C)								
		-25	-20	-15	-10	-5	0	5	10	
YH200C1-100	Capacity (W)	65					12217	14960	18115	
		60					11241	13772	16646	19968
		55				10107	12469	15106	18123	21626
		50			8839	11076	13519	16274	19447	23144
		45		7460	9616	11909	14447	17333	20676	24579
		40	5995	8113	10301	12664	15308	18339	21864	25988
		35	6591	8717	10949	13395	16159	19348	23068	27425
	30	7181	9327	11618	14159	17057	20417	24345	28948	
	25	7821	10001	12362	15012	18056	21600	25750	30612	
	Watt (W)	65					8362	8276	8214	
		60					7416	7323	7248	7196
		55				6613	6520	6438	6374	6336
		50			5924	5838	5756	5686	5635	5611
		45		5321	5247	5172	5102	5046	5010	5002
40		4775	4720	4657	4595	4539	4498	4479	4489	
35		4227	4184	4135	4087	4047	4023	4021	4050	
30	3723	3694	3659	3627	3604	3598	3617	3667		
25	3242	3228	3210	3195	3191	3205	3245	3317		
YH230C1-100	Capacity (W)	65					14336	17556	21258	
		60					13191	16161	19533	23432
		55				11860	14632	17726	21266	25377
		50			10372	12997	15864	19097	22821	27159
		45		8754	11284	13975	16953	20340	24262	28843
		40	7035	9520	12088	14860	17963	21521	25657	30496
		35	7734	10229	12849	15718	18962	22705	27070	32183
	30	8427	10945	13633	16615	20015	23958	28568	33970	
	25	9178	11735	14507	17616	21188	25347	30217	35923	
	Watt (W)	65					9720	9621	9548	
		60					8621	8513	8425	8365
		55				7687	7579	7484	7410	7365
		50			6886	6786	6691	6609	6551	6523
		45		6185	6099	6012	5931	5866	5824	5815
40		5550	5487	5414	5341	5277	5229	5207	5218	
35		4914	4864	4807	4751	4704	4676	4675	4708	
30	4328	4294	4254	4216	4190	4183	4204	4262		
25	3769	3752	3731	3714	3709	3726	3772	3856		
YH266C1-100	Capacity (W)	65					16580	20303	24585	
		60					15255	18691	22591	27099
		55				13717	16922	20501	24595	29349
		50			11996	15032	18347	22086	26393	31410
		45		10124	13050	16163	19606	23524	28060	33358
		40	8136	11011	13980	17186	20775	24889	29672	35269
		35	8945	11830	14860	18179	21930	26259	31307	37220
	30	9746	12658	15767	19216	23148	27708	33040	39287	
	25	10614	13572	16777	20374	24505	29314	34947	41545	
	Watt (W)	65					11242	11127	11042	
		60					9970	9846	9744	9675
		55				8890	8766	8655	8569	8518
		50			7964	7848	7738	7644	7576	7543
		45		7153	7054	6953	6859	6784	6736	6725
40		6419	6345	6261	6177	6103	6047	6021	6034	
35		5683	5625	5559	5494	5440	5408	5406	5445	
30	5005	4966	4919	4876	4845	4838	4862	4929		
25	4359	4340	4315	4295	4290	4309	4362	4460		

Capacity @ Super Heat 11K, Subcooling 8.3K

YH Series

Capacity

50Hz R410A

Model	C.T. (°C)	E.T. (°C)								
		-25	-20	-15	-10	-5	0	5	10	
YH292C1-100	Capacity (W)	65					18201	22288	26988	
		60				16747	20518	24799	29748	
		55				15057	18577	22505	26999	32218
		50			13168	16501	20141	24245	28972	34480
		45		11114	14326	17743	21523	25823	30802	36618
	40	8931	12087	15346	18866	22806	27322	32573	38716	
	35	9819	12986	16312	19956	24074	28825	34367	40858	
	30	10699	13896	17308	21094	25411	30417	36269	43127	
	25	11652	14899	18417	22365	26900	32180	38363	45606	
	25	4740	4719	4693	4671	4665	4686	4744	4850	
YH325C1-100	Capacity (W)	65					20257	24807	30038	
		60					18639	22836	27601	33110
		55				16759	20676	25048	30050	35859
		50			14656	18366	22417	26985	32247	38376
		45		12370	15945	19748	23955	28741	34283	40756
	40	9940	13453	17080	20999	25383	30410	36254	43092	
	35	10929	14454	18156	22211	26795	32083	38251	45475	
	30	11908	15466	19264	23478	28282	33854	40368	48001	
	25	12969	16583	20499	24892	29940	35816	42698	50760	
	25	5276	5253	5223	5199	5193	5216	5280	5398	
YH355C1-100	Capacity (W)	65					21691	26562	32164	
		60					19958	24452	29555	35453
		55				17945	22139	26820	32177	38397
		50			15693	19665	24003	28895	34529	41092
		45		13246	17073	21145	25650	30775	36710	43641
	40	10644	14405	18289	22485	27179	32562	38820	46141	
	35	11703	15477	19441	23783	28691	34353	40958	48694	
	30	12750	16561	20627	25139	30284	36250	43225	51398	
	25	13886	17756	21949	26654	32059	38351	45720	54352	
	25	5650	5624	5593	5567	5560	5585	5654	5780	

Capacity @ Super Heat 11K, Subcooling 8.3K

YH Series

Capacity

50Hz

R410A

Model	C.T. (°C)	E.T. (°C)								
		-25	-20	-15	-10	-5	0	5	10	
YH400C1-105	Capacity (W)	65						23700	28535	34157
		60					22414	26918	32154	38216
		55				20624	24818	29691	35335	41842
		50			18466	22373	26904	32152	38210	45170
		45		16079	19720	23931	28805	34436	40914	48334
		40	13599	16996	20909	25432	30656	36675	43581	51466
		35	14339	17976	22168	27009	32589	39003	46343	54701
	Watt (W)	30	15269	19153	23631	28795	34739	41555	49335	58171
		25	16523	20660	25430	30926	37239	44463	52690	62012
		65						15264	15438	15506
		60					13544	13717	13809	13809
		55				12055	12217	12324	12363	12323
		50			10764	10904	11015	11085	11100	11049
		45		9635	9744	9850	9939	10001	10021	9987
YH450C1-105	Capacity (W)	65						26656	32403	38953
		60					25161	30586	36802	43892
		55				23068	28113	33936	40621	48253
		50			20633	25241	30614	36837	43994	52170
		45		18114	22227	27092	32795	39419	47050	55772
		40	15769	19329	23629	28753	34787	41815	49922	59191
		35	16804	20481	24970	30356	36723	44156	52740	62559
	Watt (W)	30	17907	21702	26382	32031	38734	46574	55638	66008
		25	19208	23124	27997	33911	40951	49201	58745	69669
		65						17589	17770	17896
		60					15482	15634	15744	15806
		55				13687	13812	13908	13969	13989
		50			12160	12259	12342	12404	12438	12440
		45		10855	10929	11002	11066	11116	11147	11151
40	9728	9779	9842	9911	9979	10040	10089	10119		
35	8764	8819	8893	8980	9074	9169	9258	9336		
30	7888	7969	8077	8205	8347	8497	8650	8798		
25	7093	7223	7387	7578	7791	8019	8257	8499		

Capacity @ Super Heat 11K, Subcooling 8.3K

YSH Series

Capacity

50Hz

R410A

Model	C.T. (°C)	E.T. (°C)								
		-25	-20	-15	-10	-5	0	5	10	
YSH400C1G-100	Capacity (W)	65						24932	30531	36970
		60					22941	28106	33971	40751
		55				20627	25447	30828	36985	44134
		50			18038	22604	27590	33213	39688	47233
		45		15225	19624	24305	29483	35374	42195	50162
		40	12234	16557	21022	25844	31241	37427	44620	53036
		35	13451	17789	22346	27336	32978	39487	47078	55970
		30	14656	19035	23710	28896	34809	41667	49684	59078
		25	15961	20409	25229	30637	36849	44082	52551	62474
		YSH400C1G-100	Watt (W)	65						17120
60							15183	14994	14839	14733
55						13538	13349	13181	13050	12971
50					12128	11951	11784	11641	11537	11488
45				10894	10742	10588	10446	10331	10257	10241
40	9775			9663	9535	9407	9294	9210	9170	9190
35	8654			8566	8466	8367	8285	8235	8233	8292
30	7623			7562	7491	7425	7379	7367	7404	7507
25	6638			6608	6571	6541	6533	6562	6643	6792
YSH450C1G-100	Capacity (W)			65						27737
		60					25522	31268	37793	45336
		55				22947	28310	34296	41146	49099
		50			20068	25147	30694	36949	44153	52546
		45		16938	21832	27039	32800	39354	46942	55805
		40	13611	18420	23387	28752	34755	41638	49640	59003
		35	14965	19791	24859	30412	36688	43929	52375	62266
		30	16304	21177	26377	32146	38725	46354	55273	65724
		25	17757	22705	28067	34083	40995	49041	58463	69502
		YSH450C1G-100	Watt (W)	65						19046
60							16891	16680	16508	16391
55						15062	14851	14664	14518	14430
50					13493	13296	13109	12950	12835	12780
45				12119	11951	11779	11621	11493	11411	11393
40	10875			10750	10608	10465	10339	10246	10201	10224
35	9628			9530	9418	9308	9217	9162	9159	9225
30	8480			8413	8334	8261	8209	8196	8238	8351
25	7385			7352	7310	7277	7268	7300	7391	7556

Capacity @ Super Heat 11K, Subcooling 8.3K

YH Series

Capacity

50Hz

R410A

Model	C.T. (°C)	E.T. (°C)								
		-25	-20	-15	-10	-5	0	5	10	
YH610C1G-100	Capacity (W)	65					36739	44679	53883	
		60					34309	41898	50686	60759
		55				31163	38306	46583	56081	66882
		50			27628	34228	41899	50725	60791	72182
		45		24029	29991	36959	45018	54253	64748	76588
		40	20693	25920	32089	39286	47593	57097	67881	80031
		35	22341	27616	33854	41138	49554	59187	70121	82440
	30	23866	29049	35214	42447	50832	60453	71396	83746	
	25	25196	30147	36100	43142	51355	60826	71639		
	Watt (W)	65						24227	24418	24535
		60					21451	21646	21775	21871
		55				19044	19228	19354	19453	19560
		50			16973	17130	17237	17324	17427	17577
		45		15204	15319	15391	15451	15533	15671	15898
40		13704	13762	13783	13800	13847	13956	14161	14496	
35		12424	12379	12338	12333	12399	12567	12873	13348	
30	11146	11031	10959	10965	11082	11343	11780	12428		
25	9846	9692	9623	9672	9872	10256	10859			
YH720C1G-100	Capacity (W)	65					42998	52715	63907	
		60					40988	50006	60381	72448
		55				37334	45624	55152	66255	79271
		50			32848	40381	49034	59144	71048	85084
		45		28346	35092	42840	51928	62692	75469	90598
		40	24639	30570	37384	45420	55015	66505	80229	96522
		35	27628	33480	40436	48831	59005	71294	86035	103566
	30	31941	37787	44955	53783	64608	77768	93599	112439	
	25	38288	44199	51652	60985	72533	86636	103629		
	Watt (W)	65						27358	27725	27951
		60					24276	24663	24933	25096
		55				21474	21856	22145	22350	22481
		50			18988	19340	19624	19747	20019	20147
		45		16856	17154	17407	17623	17811	17980	18139
40		15115	15334	15531	15716	15896	16080	16278	16499	
35		13917	14034	14162	14309	14484	14697	14955	15268	
30	12952	12998	13088	13229	13431	13703	14052	14489		
25	12262	12269	12352	12519	12779	13141	13613			
YH880C1G-100	Capacity (W)	65					52551	64429	78107	
		60					50095	61118	73798	88547
		55				45629	55762	67407	80978	96886
		50			40147	49354	59930	72286	86836	103991
		45		34644	42890	52360	63467	76623	92240	110731
		40	30114	37363	45692	55513	67240	81284	98057	117971
		35	33768	40920	49421	59683	72117	87137	105154	126580
	30	39039	46184	54945	65735	78965	95049	114398	137425	
	25	46796	54021	63130	74537	88652	105888	126658		
	Watt (W)	65						33104	33548	33822
		60					29375	29843	30170	30367
		55				25984	26446	26796	27045	27202
		50			22976	23402	23745	24016	24223	24379
		45		20396	20757	21063	21324	21552	21757	21949
40		18289	18554	18793	19016	19234	19458	19697	19964	
35		16839	16981	17136	17314	17526	17783	18096	18474	
30	15672	15728	15836	16007	16252	16580	17003	17532		
25	14837	14846	14946	15148	15463	15900	16472			

Capacity @ Super Heat 11K, Subcooling 8.3K

YH Series

Capacity

50Hz
R407C

Model	C.T. (°C)	E.T. (°C)								
		-25	-20	-15	-10	-5	0	5	10	
YH69T2-102	Capacity (W)	65						4434	5367	6433
		60					3909	4767	5750	6871
		55				3397	4184	5087	6117	7288
		50			2904	3623	4448	5393	6468	7687
		45		2435	3089	3841	4702	5685	6803	8067
		40	1996	2589	3270	4051	4945	5965	7121	8428
		35	2127	2741	3445	4254	5178	6231	7424	8771
	Watt (W)	30	2259	2890	3616	4449	5401	6484	7711	9095
		25	2392	3038	3783	4637	5613	6725	7983	9401
		65						2813	2810	2813
		60					2522	2521	2523	2530
		55				2257	2263	2267	2272	2283
		50			2012	2027	2037	2045	2054	2068
		45		1780	1808	1827	1840	1851	1863	1880
YH89T2-102	Capacity (W)	40	1554	1599	1631	1652	1668	1681	1695	1714
		35	1393	1440	1474	1498	1515	1530	1546	1567
		30	1249	1298	1334	1359	1378	1394	1411	1433
		25	1119	1169	1206	1232	1251	1268	1286	1308
		65						5719	6922	8298
		60					5042	6149	7417	8862
		55				4381	5397	6561	7891	9401
YH104T2-100	Capacity (W)	50			3745	4673	5738	6956	8343	9915
		45		3141	3985	4954	6065	7333	8775	10405
		40	2574	3339	4218	5225	6379	7694	9186	10871
		35	2744	3535	4444	5487	6679	8037	9576	11313
		30	2914	3728	4664	5739	6966	8364	9947	11731
		25	3085	3919	4879	5981	7241	8674	10297	12126
		YH104T2-100	Watt (W)	65						3560
60							3191	3191	3193	3202
55						2856	2864	2869	2876	2890
50					2546	2566	2578	2588	2599	2617
45				2252	2289	2313	2329	2342	2358	2379
40	1966			2024	2064	2091	2111	2127	2145	2170
35	1762			1823	1865	1895	1917	1936	1956	1983
YH104T2-100	Capacity (W)	30	1581	1643	1688	1720	1744	1764	1786	1813
		25	1416	1480	1526	1559	1584	1605	1627	1655
		65						6811	8244	9883
		60					6005	7323	8834	10555
		55				5218	6428	7814	9398	11197
		50			4461	5566	6834	8285	9937	11809
		45		3740	4746	5900	7224	8734	10451	12393
YH104T2-100	Watt (W)	40	3066	3977	5023	6224	7597	9163	10940	12948
		35	3268	4210	5293	6535	7955	9572	11405	13474
		30	3470	4440	5555	6835	8297	9961	11847	13972
		25	3674	4667	5811	7123	8624	10331	12264	14442
		65						4111	4106	4110
		60					3685	3685	3687	3697
		55				3298	3307	3312	3321	3337
YH104T2-100	Watt (W)	50			2940	2963	2977	2988	3001	3022
		45		2601	2643	2670	2689	2705	2722	2747
		40	2271	2337	2383	2415	2437	2456	2477	2505
		35	2035	2105	2154	2189	2214	2236	2259	2290
		30	1825	1897	1949	1986	2013	2037	2062	2094
		25	1635	1709	1762	1800	1829	1853	1879	1912

Capacity @ Super Heat 11K, Subcooling 8.3K

YH Series

Capacity

50Hz

R407C

Model	C.T. (°C)	E.T. (°C)								
		-25	-20	-15	-10	-5	0	5	10	
YH119T2-100	Capacity (W)	65					7647	9255	11095	
		60				6741	8221	9917	11849	
		55				5858	7216	8773	10550	12570
		50			5008	6248	7672	9300	11155	13257
		45		4199	5328	6624	8109	9805	11732	13913
		40	3442	4465	5639	6987	8529	10287	12282	14535
		35	3668	4726	5942	7336	8930	10746	12804	15126
	30	3896	4985	6237	7673	9314	11183	13299	15685	
	25	4125	5240	6524	7997	9681	11598	13768	16213	
	Watt (W)	65						4615	4610	4614
		60					4137	4136	4139	4151
		55				3702	3712	3719	3728	3746
		50			3300	3326	3342	3354	3369	3393
		45		2920	2967	2998	3019	3036	3056	3084
40		2549	2623	2675	2711	2736	2757	2781	2813	
35		2285	2363	2418	2457	2486	2510	2536	2570	
YH128T2-100	Capacity (W)	65					8225	9955	11935	
		60					7251	8843	10667	12745
		55				6301	7762	9436	11348	13520
		50			5386	6721	8252	10004	11999	14260
		45		4517	5731	7125	8723	10547	12620	14965
		40	3702	4802	6066	7515	9174	11065	13211	15635
		35	3946	5084	6391	7891	9606	11559	13773	16270
	30	4190	5362	6708	8253	10019	12029	14305	16872	
	25	4437	5636	7017	8602	10413	12475	14809	17439	
	Watt (W)	65						4875	4869	4874
		60					4370	4369	4372	4384
		55				3911	3921	3928	3938	3957
		50			3486	3513	3530	3543	3559	3584
		45		3084	3134	3167	3189	3207	3228	3258
40		2693	2771	2826	2863	2890	2913	2937	2971	
35		2413	2496	2554	2595	2625	2651	2679	2715	
YH69T6-100	Capacity (W)	65					4333	5244	6287	
		60					3819	4658	5619	6714
		55				3319	4088	4971	5978	7122
		50			2837	3540	4347	5270	6320	7512
		45		2379	3019	3753	4595	5556	6647	7883
		40	1950	2530	3195	3959	4832	5828	6959	8236
		35	2078	2678	3367	4157	5060	6089	7255	8570
	30	2207	2824	3534	4347	5277	6336	7535	8887	
	25	2337	2969	3696	4531	5485	6571	7801	9186	
	Watt (W)	65						2742	2739	2741
		60					2449	2449	2450	2457
		55				2183	2189	2193	2199	2210
		50			1937	1953	1963	1970	1979	1994
		45		1704	1733	1752	1765	1775	1788	1805
40		1477	1523	1554	1576	1592	1605	1619	1638	
35		1315	1363	1397	1421	1438	1453	1469	1490	
30	1171	1221	1256	1282	1300	1317	1334	1356		
25	1040	1091	1128	1154	1174	1190	1208	1231		

Capacity @ Super Heat 11K, Subcooling 8.3K

YH Series

Capacity

50Hz
R407C

Model	C.T. (°C)	E.T. (°C)								
		-25	-20	-15	-10	-5	0	5	10	
YH89T6-100	Capacity (w)	65					5719	6922	8298	
		60				5042	6149	7417	8862	
		55				4381	5397	6561	7891	9401
		50			3745	4673	5738	6956	8343	9915
		45		3141	3985	4954	6065	7333	8775	10405
		40	2574	3339	4218	5225	6379	7694	9186	10871
		35	2744	3535	4444	5487	6679	8037	9576	11313
	30	2914	3728	4664	5739	6966	8364	9947	11731	
	25	3085	3919	4879	5981	7241	8674	10297	12126	
	Watt (w)	65						3400	3396	3399
		60					3037	3036	3038	3047
		55				2707	2714	2719	2726	2740
		50			2402	2421	2434	2443	2454	2472
		45		2113	2149	2172	2188	2202	2217	2238
40		1832	1888	1927	1954	1974	1990	2008	2032	
35		1631	1690	1732	1762	1784	1802	1822	1848	
YH104T6-100	Capacity (w)	65					6811	8244	9883	
		60					6005	7323	8834	10555
		55				5218	6428	7814	9398	11197
		50			4461	5566	6834	8285	9937	11809
		45		3740	4746	5900	7224	8734	10451	12393
		40	3066	3977	5023	6224	7597	9163	10940	12948
		35	3268	4210	5293	6535	7955	9572	11405	13474
	30	3470	4440	5555	6835	8297	9961	11847	13972	
	25	3674	4667	5811	7123	8624	10331	12264	14442	
	Watt (w)	65						4009	4004	4008
		60					3581	3581	3583	3593
		55				3192	3201	3207	3215	3231
		50			2832	2855	2870	2881	2894	2915
		45		2492	2534	2562	2581	2596	2614	2639
40		2160	2227	2273	2305	2327	2346	2367	2396	
35		1923	1993	2043	2078	2103	2125	2148	2179	
YH119T6-100	Capacity (w)	65					7951	9624	11538	
		60					7010	8549	10313	12322
		55				6092	7504	9123	10971	13072
		50			5208	6497	7978	9672	11601	13787
		45		4367	5541	6889	8433	10197	12201	14469
		40	3580	4643	5864	7266	8870	10698	12773	15117
		35	3815	4915	6180	7630	9288	11176	13316	15731
	30	4051	5184	6486	7980	9687	11630	13831	16313	
	25	4290	5449	6784	8317	10068	12062	14318	16861	
	Watt (w)	65						4775	4770	4775
		60					4266	4265	4268	4281
		55				3802	3813	3820	3830	3849
		50			3374	3401	3418	3432	3448	3473
		45		2968	3018	3052	3074	3093	3114	3144
40		2573	2652	2708	2745	2772	2795	2820	2854	
35		2291	2374	2433	2475	2505	2531	2559	2596	
30	2040	2126	2188	2232	2265	2293	2323	2362		
25	1812	1901	1964	2010	2044	2074	2104	2143		

Capacity @ Super Heat 11K, Subcooling 8.3K

YH Series

Capacity

50Hz

R407C

Model	C.T. (°C)	E.T. (°C)								
		-25	-20	-15	-10	-5	0	5	10	
YH128T6-100	Capacity (W)	65					8447	10224	12257	
		60				7447	9082	10955	13089	
		55				6471	7971	9691	11654	13885
		50			5532	6902	8475	10274	12323	14645
		45		4639	5885	7317	8958	10831	12960	15369
		40	3802	4932	6229	7718	9422	11364	13567	16057
		35	4052	5221	6564	8104	9865	11871	14144	16709
	30	4303	5507	6890	8476	10289	12353	14691	17327	
	25	4556	5788	7206	8834	10694	12812	15209	17910	
	Watt (W)	65					4985	4979	4984	
		60					4453	4452	4455	4468
		55				3969	3980	3987	3998	4018
		50			3522	3551	3568	3582	3599	3625
		45		3098	3151	3185	3209	3228	3250	3282
40		2686	2769	2826	2866	2894	2918	2944	2979	
35		2392	2478	2540	2583	2615	2642	2672	2710	
YH150T6-100	Capacity (W)	65					9696	11737	14070	
		60					8548	10425	12576	15026
		55				7429	9150	11124	13378	15939
		50			6350	7923	9728	11794	14146	16811
		45		5325	6756	8400	10283	12434	14878	17642
		40	4365	5661	7151	8860	10815	13044	15574	18432
		35	4651	5993	7535	9303	11324	13627	16237	19181
	30	4940	6321	7909	9730	11811	14181	16865	19890	
	25	5230	6644	8272	10141	12276	14707	17459	20559	
	Watt (W)	65					5725	5718	5724	
		60					5113	5113	5116	5131
		55				4558	4571	4579	4591	4614
		50			4044	4077	4098	4114	4133	4163
		45		3558	3618	3658	3685	3707	3732	3769
40		3085	3179	3246	3291	3323	3351	3381	3421	
35		2746	2846	2917	2967	3003	3034	3068	3112	
YH230T6-100	Capacity (W)	65					14843	17966	21538	
		60					13085	15959	19251	23001
		55				11372	14007	17029	20480	24400
		50			9721	12128	14892	18054	21654	25735
		45		8151	10342	12859	15742	19033	22775	27007
		40	6682	8667	10946	13563	16556	19969	23841	28216
		35	7121	9175	11534	14241	17336	20860	24855	29363
	30	7562	9676	12107	14894	18081	21708	25816	30448	
	25	8007	10172	12663	15523	18793	22513	26726	31472	
	Watt (W)	65					8408	8399	8407	
		60					7510	7510	7515	7537
		55				6695	6713	6726	6743	6777
		50			5940	5989	6019	6042	6070	6115
		45		5226	5315	5373	5413	5445	5482	5535
40		4530	4670	4767	4834	4881	4921	4965	5025	
35		4034	4180	4285	4358	4411	4457	4506	4571	
30	3592	3744	3853	3931	3988	4038	4091	4158		
25	3191	3346	3459	3539	3599	3651	3705	3774		

Capacity @ Super Heat 11K, Subcooling 8.3K

YH Series

Capacity

50Hz
R407C

Model	C.T. (°C)	E.T. (°C)								
		-25	-20	-15	-10	-5	0	5	10	
YH266T6-100	Capacity (W)	65						17777	21517	25794
		60					15671	19113	23055	27546
		55				13619	16775	20394	24527	29221
		50			11642	14525	17835	21621	25933	30820
		45		9762	12386	15399	18852	22794	27275	32343
		40	8002	10379	13109	16242	19827	23914	28552	33791
		35	8528	10988	13813	17055	20761	24981	29766	35164
	30	9056	11588	14498	17837	21653	25997	30917	36464	
	25	9589	12181	15165	18590	22506	26961	32006	37690	
	Watt (W)	65						9866	9855	9864
		60					8813	8812	8818	8844
		55				7856	7878	7892	7912	7952
		50			6970	7027	7062	7090	7123	7175
		45		6132	6236	6305	6351	6389	6433	6495
40		5316	5480	5594	5672	5728	5775	5826	5896	
35		4733	4905	5027	5113	5176	5230	5287	5363	
YH307T6-100	Capacity (W)	65					19726	23877	28623	
		60					17390	21209	25584	30568
		55				15113	18615	22632	27217	32427
		50			12919	16119	19792	23993	28778	34202
		45		10833	13745	17089	20921	25295	30267	35892
		40	8880	11518	14548	18024	22003	26538	31685	37499
		35	9463	12193	15329	18926	23039	27723	33033	39023
	30	10050	12860	16090	19795	24030	28850	34310	40465	
	25	10641	13518	16830	20630	24976	29920	35519	41826	
	Watt (W)	65						11289	11276	11287
		60					10083	10083	10089	10119
		55				8988	9013	9030	9053	9099
		50			7975	8040	8081	8112	8150	8209
		45		7016	7135	7214	7267	7311	7360	7431
40		6083	6270	6400	6490	6554	6607	6666	6746	
35		5416	5613	5752	5850	5922	5984	6050	6136	
YH355T6-100	Capacity (W)	65					22811	27611	33100	
		60					20110	24526	29585	35348
		55				17476	21526	26171	31473	37498
		50			14939	18639	22887	27745	33278	39550
		45		12527	15894	19761	24192	29251	35000	41504
		40	10269	13319	16823	20843	25443	30688	36639	43362
		35	10943	14100	17726	21885	26641	32058	38197	45125
	30	11622	14870	18605	22890	27787	33361	39675	46792	
	25	12305	15632	19461	23856	28881	34598	41072	48366	
	Watt (W)	65						12979	12964	12977
		60					11593	11592	11600	11634
		55				10334	10363	10382	10409	10462
		50			9170	9244	9291	9327	9370	9439
		45		8067	8204	8294	8355	8405	8462	8544
40		6993	7209	7359	7462	7535	7597	7665	7757	
35		6227	6453	6614	6727	6809	6880	6956	7055	
30	5544	5779	5948	6067	6157	6233	6314	6419		
25	4925	5166	5339	5463	5556	5636	5719	5826		

Capacity @ Super Heat 11K, Subcooling 8.3K

YH Series

Capacity

50Hz R407C

Model	C.T. (°C)	E.T. (°C)								
		-25	-20	-15	-10	-5	0	5	10	
YH69T1-100	Capacity (W)	65					4369	5289	6340	
		60				3852	4698	5667	6771	
		55				3348	4123	5013	6029	7183
		50			2862	3570	4384	5315	6374	7576
		45		2399	3044	3785	4634	5603	6704	7950
		40	1967	2551	3222	3992	4874	5878	7018	8306
		35	2096	2701	3395	4192	5103	6141	7317	8644
	30	2226	2848	3564	4384	5323	6390	7600	8963	
	25	2357	2994	3728	4570	5532	6627	7867	9264	
	Watt (W)	65						2736	2733	2736
		60					2444	2444	2446	2453
		55				2179	2185	2189	2195	2206
		50			1933	1949	1959	1966	1976	1990
		45		1701	1730	1749	1762	1772	1784	1801
40		1474	1520	1551	1573	1589	1602	1616	1635	
35		1313	1360	1394	1418	1436	1450	1466	1487	
YH89T1-100	Capacity (W)	65					5719	6922	8298	
		60					5042	6149	7417	8862
		55				4381	5397	6561	7891	9401
		50			3745	4673	5738	6956	8343	9915
		45		3141	3985	4954	6065	7333	8775	10405
		40	2574	3339	4218	5225	6379	7694	9186	10871
		35	2744	3535	4444	5487	6679	8037	9576	11313
	30	2914	3728	4664	5739	6966	8364	9947	11731	
	25	3085	3919	4879	5981	7241	8674	10297	12126	
	Watt (W)	65						3400	3396	3399
		60					3037	3036	3038	3047
		55				2707	2714	2719	2726	2740
		50			2402	2421	2434	2443	2454	2472
		45		2113	2149	2172	2188	2202	2217	2238
40		1832	1888	1927	1954	1974	1990	2008	2032	
35		1631	1690	1732	1762	1784	1802	1822	1848	
YH104T1-100	Capacity (W)	65					6811	8244	9883	
		60					6005	7323	8834	10555
		55				5218	6428	7814	9398	11197
		50			4461	5566	6834	8285	9937	11809
		45		3740	4746	5900	7224	8734	10451	12393
		40	3066	3977	5023	6224	7597	9163	10940	12948
		35	3268	4210	5293	6535	7955	9572	11405	13474
	30	3470	4440	5555	6835	8297	9961	11847	13972	
	25	3674	4667	5811	7123	8624	10331	12264	14442	
	Watt (W)	65						4049	4044	4048
		60					3617	3616	3619	3629
		55				3224	3233	3239	3247	3264
		50			2861	2884	2898	2910	2923	2945
		45		2517	2559	2587	2606	2622	2640	2665
40		2182	2249	2296	2328	2351	2370	2391	2420	
35		1943	2013	2063	2098	2124	2146	2170	2201	

Capacity @ Super Heat 11K, Subcooling 8.3K

YH Series

Capacity

50Hz

R407C

Model	C.T. (°C)	E.T. (°C)								
		-25	-20	-15	-10	-5	0	5	10	
YH119T1-100	Capacity (w)	65						7647	9255	11095
		60					6741	8221	9917	11849
		55				5858	7216	8773	10550	12570
		50			5008	6248	7672	9300	11155	13257
		45		4199	5328	6624	8109	9805	11732	13913
		40	3442	4465	5639	6987	8529	10287	12282	14535
		35	3668	4726	5942	7336	8930	10746	12804	15126
	30	3896	4985	6237	7673	9314	11183	13299	15685	
	25	4125	5240	6524	7997	9681	11598	13768	16213	
	Watt (w)	65						4505	4500	4504
		60					4024	4024	4026	4038
		55				3587	3597	3604	3613	3631
		50			3183	3209	3225	3237	3252	3276
		45		2800	2848	2879	2900	2918	2937	2966
40		2427	2502	2554	2590	2615	2637	2660	2692	
35		2161	2240	2296	2335	2364	2388	2414	2449	
YH128T1-100	Capacity (w)	65						8225	9955	11935
		60					7251	8843	10667	12745
		55				6301	7762	9436	11348	13520
		50			5386	6721	8252	10004	11999	14260
		45		4517	5731	7125	8723	10547	12620	14965
		40	3702	4802	6066	7515	9174	11065	13211	15635
		35	3946	5084	6391	7891	9606	11559	13773	16270
	30	4190	5362	6708	8253	10019	12029	14305	16872	
	25	4437	5636	7017	8602	10413	12475	14809	17439	
	Watt (w)	65						4747	4742	4747
		60					4241	4240	4243	4256
		55				3780	3791	3798	3807	3827
		50			3354	3381	3398	3412	3427	3453
		45		2951	3001	3034	3056	3075	3095	3125
40		2558	2637	2692	2729	2756	2779	2804	2837	
35		2278	2360	2419	2460	2491	2516	2544	2581	
YH133T1-100	Capacity (w)	65						8546	10344	12401
		60					7534	9189	11084	13243
		55				6548	8065	9805	11792	14049
		50			5597	6983	8574	10395	12468	14817
		45		4693	5955	7403	9064	10959	13113	15549
		40	3847	4990	6303	7809	9532	11497	13727	16246
		35	4100	5283	6641	8199	9981	12010	14311	16906
	30	4354	5571	6970	8576	10410	12499	14864	17531	
	25	4610	5856	7291	8938	10820	12962	15388	18120	
	Watt (w)	65						4933	4928	4932
		60					4406	4406	4409	4422
		55				3928	3939	3946	3956	3976
		50			3485	3514	3531	3545	3561	3587
		45		3066	3118	3152	3176	3195	3216	3247
40		2658	2740	2797	2836	2864	2887	2913	2948	
35		2367	2453	2514	2557	2588	2615	2644	2682	

Capacity @ Super Heat 11K, Subcooling 8.3K

YH Series

Capacity

50Hz

R407C

Model	C.T. (°C)	E.T. (°C)								
		-25	-20	-15	-10	-5	0	5	10	
YH140T1-100	Capacity (W)	65					8996	10889	13053	
		60				7931	9672	11667	13940	
		55				6892	8489	10321	12412	14788
		50			5891	7351	9026	10942	13124	15597
		45		4940	6268	7793	9541	11535	13803	16368
		40	4050	5253	6634	8220	10034	12102	14449	17101
		35	4316	5561	6991	8631	10506	12642	15064	17796
	30	4583	5864	7337	9027	10958	13156	15646	18453	
	25	4853	6165	7675	9408	11390	13644	16197	19074	
	Watt (W)	65					5238	5232	5237	
		60					4679	4678	4682	4695
		55				4171	4182	4190	4201	4222
		50			3701	3731	3750	3764	3782	3809
		45		3256	3311	3347	3372	3392	3415	3448
40		2822	2909	2970	3011	3041	3066	3093	3131	
35		2513	2604	2669	2715	2748	2777	2807	2847	
30	2238	2332	2400	2449	2485	2516	2548	2590		
25	1988	2085	2155	2205	2242	2274	2308	2351		
YH150T1-100	Capacity (W)	65					9639	11667	13986	
		60					8497	10363	12501	14936
		55				7384	9096	11058	13299	15844
		50			6312	7876	9670	11723	14061	16711
		45		5293	6716	8350	10222	12359	14789	17537
		40	4339	5628	7108	8807	10751	12967	15481	18322
		35	4624	5958	7490	9247	11257	13545	16140	19067
	30	4911	6283	7861	9672	11741	14096	16764	19771	
	25	5199	6605	8223	10080	12203	14619	17354	20436	
	Watt (W)	65					5612	5606	5612	
		60					5013	5013	5016	5031
		55				4469	4481	4489	4501	4524
		50			3965	3997	4017	4033	4052	4081
		45		3488	3547	3586	3613	3635	3659	3695
40		3024	3117	3182	3227	3258	3285	3314	3354	
35		2693	2790	2860	2909	2944	2975	3008	3051	
30	2398	2499	2572	2624	2662	2695	2730	2776		
25	2130	2234	2309	2362	2403	2437	2473	2519		
YH175T1-100	Capacity (W)	65					11245	13611	16317	
		60					9913	12090	14584	17425
		55				8615	10612	12901	15515	18485
		50			7364	9188	11282	13677	16405	19496
		45		6175	7835	9741	11926	14419	17254	20460
		40	5062	6566	8293	10275	12543	15128	18062	21376
		35	5395	6951	8738	10789	13133	15803	18830	22244
	30	5729	7331	9172	11284	13698	16445	19558	23067	
	25	6066	7706	9593	11760	14237	17055	20247	23842	
	Watt (W)	65					6491	6483	6490	
		60					5798	5797	5801	5818
		55				5168	5183	5192	5205	5232
		50			4586	4623	4646	4664	4686	4720
		45		4034	4103	4148	4178	4203	4232	4273
40		3497	3605	3680	3732	3768	3799	3833	3879	
35		3114	3227	3308	3364	3405	3441	3479	3528	
30	2773	2890	2974	3034	3079	3117	3158	3210		
25	2463	2583	2670	2732	2779	2818	2860	2913		

Capacity @ Super Heat 11K, Subcooling 8.3K

YH/YHZ Series

50Hz

Capacity

R407C

Model	C.T. (°C)	E.T. (°C)								
		-25	-20	-15	-10	-5	0	5	10	
YH200T1-100	Capacity (w)	65					12851	15556	18648	
		60				11330	13818	16667	19915	
		55				9846	12127	14744	17732	21126
		50			8416	10501	12894	15631	18748	22281
		45		7057	8954	11133	13629	16479	19718	23383
		40	5785	7504	9478	11742	14334	17289	20642	24429
		35	6165	7944	9987	12330	15009	18061	21520	25422
	30	6547	8378	10482	12896	15655	18795	22352	26362	
	25	6932	8807	10964	13440	16271	19492	23139	27249	
	Watt (w)	65					7527	7519	7526	
		60					6724	6723	6727	6747
		55				5993	6010	6021	6037	6067
		50			5318	5361	5388	5409	5434	5474
		45		4678	4758	4810	4846	4875	4908	4955
40		4056	4181	4268	4327	4370	4406	4445	4499	
35		3611	3743	3836	3901	3949	3990	4034	4092	
YHZ82T1-100	Capacity (w)	65					5181	6453	7893	
		60					4486	5641	6959	8457
		55				3859	4898	6095	7464	9025
		50			3285	4209	5284	6526	7954	9584
		45		2749	3558	4512	5627	6922	8414	10119
		40	2237	2931	3764	4754	5916	7269	8830	10617
		35	2314	3027	3890	4920	6135	7553	9189	11063
	30	2285	3022	3920	4998	6272	7759	9477	11444	
	25	2134	2901	3842	4972	6311	7874	9680		
	Watt (w)	65					3366	3380	3406	
		60					3001	3017	3043	3076
		55				2658	2674	2699	2732	2770
		50			2343	2359	2383	2413	2448	2485
		45		2063	2078	2100	2128	2159	2191	2223
40		1825	1838	1858	1882	1909	1936	1961	1982	
35		1646	1663	1683	1704	1725	1743	1757	1763	
YHZ140T1-100	Capacity (w)	65					9205	11142	13357	
		60					8115	9897	11938	14264
		55				7052	8686	10560	12700	15131
		50			6028	7521	9235	11196	13428	15959
		45		5055	6413	7974	9762	11803	14123	16748
		40	4143	5374	6788	8411	10267	12383	14785	17497
		35	4415	5690	7153	8832	10751	12936	15413	18208
	30	4689	6000	7508	9237	11213	13462	16009	18881	
	25	4964	6307	7853	9626	11654	13961	16573		
	Watt (w)	65					5359	5353	5359	
		60					4787	4787	4790	4804
		55				4267	4279	4287	4298	4320
		50			3786	3817	3836	3851	3869	3898
		45		3331	3388	3425	3450	3471	3494	3528
40		2887	2977	3039	3081	3112	3137	3165	3203	
35		2571	2665	2731	2778	2812	2841	2872	2913	
30	2289	2387	2456	2506	2542	2574	2607	2650		
25	2033	2133	2205	2256	2294	2327	2361			

Capacity @ Super Heat 11K, Subcooling 8.3K

YHZ/YH Series

50Hz

Capacity

R407C

Model	C.T. (°C)	E.T. (°C)								
		-25	-20	-15	-10	-5	0	5	10	
YHZ185T1-100	Capacity (W)	65					11996	14717	17833	
		60					10640	13175	16099	19443
		55				9123	11437	14134	17245	20803
		50			7607	9665	12101	14945	18230	21987
		45		6254	8022	10162	12705	15682	19126	23069
		40	5227	6671	8480	10687	13322	16418	20007	24120
		35	5773	7217	9053	11312	14026	17226	20945	25214
	30	6536	7967	9815	12111	14889	18179	22014	26425	
	25	7590	8992	10838	13158	15985	19351	23287		
	Watt (W)	65					6907	6928	6981	
		60					6067	6093	6125	6194
		55				5418	5467	5496	5537	5620
		50			4899	4989	5034	5065	5113	5209
		45		4450	4600	4679	4718	4750	4804	4912
40		4012	4239	4370	4437	4470	4500	4559	4678	
35		3847	4049	4161	4214	4239	4267	4329	4456	
30	3654	3829	3920	3958	3974	3999	4063	4198		
25	3383	3531	3600	3621	3626	3646	3710			
YHZ230T1-100	Capacity (W)	65					14843	17966	21538	
		60					13085	15959	19251	23001
		55				11372	14007	17029	20480	24400
		50			9721	12128	14892	18054	21654	25735
		45		8151	10342	12859	15742	19033	22775	27007
		40	6682	8667	10946	13563	16556	19969	23841	28216
		35	7121	9175	11534	14241	17336	20860	24855	29363
	30	7562	9676	12107	14894	18081	21708	25816	30448	
	25	8007	10172	12663	15523	18793	22513	26726	31472	
	Watt (W)	65					8568	8558	8567	
		60					7653	7652	7657	7680
		55				6822	6841	6853	6871	6906
		50			6053	6103	6133	6157	6185	6231
		45		5325	5416	5475	5515	5549	5586	5640
40		4617	4759	4858	4926	4974	5015	5060	5120	
35		4110	4260	4366	4440	4495	4541	4592	4657	
30	3660	3815	3926	4005	4064	4115	4168	4237		
25	3251	3410	3524	3606	3668	3720	3776	3846		
YHZ266T1-100	Capacity (W)	65					17092	20689	24802	
		60					15068	18377	22168	26486
		55				13095	16129	19610	23583	28097
		50			11194	13966	17149	20789	24935	29634
		45		9386	11909	14807	18127	21917	26225	31099
		40	7694	9980	12605	15617	19065	22994	27454	32491
		35	8200	10565	13282	16399	19962	24021	28621	33812
	30	8708	11142	13941	17151	20821	24997	29728	35061	
	25	9220	11713	14582	17875	21640	25924	30775	36241	
	Watt (W)	65					9866	9855	9865	
		60					8813	8812	8818	8844
		55				7856	7878	7892	7912	7952
		50			6970	7027	7062	7090	7123	7175
		45		6132	6236	6305	6351	6389	6433	6495
40		5316	5480	5594	5672	5728	5775	5826	5896	
35		4733	4905	5028	5113	5176	5230	5287	5363	
30	4215	4393	4521	4612	4680	4738	4800	4879		
25	3744	3927	4058	4153	4223	4284	4348	4428		

Capacity @ Super Heat 11K, Subcooling 8.3K

YH/YSH Series

50Hz

Capacity

R407C

Model	C.T. (°C)	E.T. (°C)								
		-25	-20	-15	-10	-5	0	5	10	
YH307T1-100	Capacity (W)	65					19727	23878	28624	
		60					17391	21210	25584	30569
		55				15113	18616	22632	27218	32428
		50			12919	16119	19792	23994	28779	34202
		45		10833	13745	17089	20921	25296	30268	35892
		40	8880	11518	14548	18025	22003	26538	31685	37499
		35	9464	12193	15329	18926	23039	27723	33033	39023
	30	10050	12860	16090	19795	24030	28850	34310	40465	
	25	10641	13518	16830	20631	24976	29920	35519	41826	
	Watt (W)	65						11289	11276	11287
		60					10083	10083	10089	10119
		55				8988	9013	9030	9053	9099
		50			7976	8040	8081	8112	8150	8209
		45		7016	7135	7214	7267	7311	7360	7431
40		6083	6270	6400	6490	6554	6607	6666	6746	
35		5416	5613	5752	5850	5922	5984	6050	6136	
30	4822	5027	5173	5277	5355	5421	5492	5583		
25	4284	4493	4644	4752	4832	4902	4974	5067		
YH355T1-100	Capacity (W)	65					22811	27611	33100	
		60					20110	24526	29585	35348
		55				17476	21526	26171	31473	37498
		50			14939	18639	22887	27745	33278	39550
		45		12527	15894	19761	24192	29251	35000	41504
		40	10269	13319	16823	20843	25443	30688	36639	43362
		35	10943	14100	17726	21885	26641	32058	38197	45125
	30	11622	14871	18605	22890	27787	33361	39675	46792	
	25	12305	15632	19461	23856	28881	34598	41072	48366	
	Watt (W)	65						12979	12964	12977
		60					11593	11592	11600	11634
		55				10334	10363	10382	10409	10462
		50			9170	9244	9291	9327	9370	9439
		45		8067	8204	8294	8355	8405	8462	8544
40		6993	7209	7359	7462	7535	7597	7665	7757	
35		6227	6453	6614	6727	6809	6880	6956	7055	
30	5544	5779	5948	6067	6157	6233	6314	6419		
25	4925	5166	5339	5463	5556	5636	5719	5826		
YSH400T1G-100	Capacity (W)	65					25382	30722	36829	
		60					22376	27290	32918	39331
		55				19445	23952	29120	35020	41723
		50			16622	20739	25465	30871	37028	44006
		45		13938	17685	21988	26918	32546	38944	46181
		40	11426	14820	18718	23191	28310	34146	40768	48248
		35	12176	15689	19723	24351	29643	35670	42501	50209
	30	12931	16546	20702	25469	30918	37120	44145	52065	
	25	13691	17393	21654	26544	32135	38497	45700	53816	
	Watt (W)	65						14866	14850	14864
		60					13279	13278	13287	13326
		55				11837	11870	11892	11922	11983
		50			10503	10589	10642	10683	10733	10811
		45		9240	9397	9500	9570	9628	9693	9786
40		8010	8257	8429	8547	8631	8701	8779	8885	
35		7132	7391	7575	7705	7799	7880	7967	8081	
30	6351	6620	6812	6950	7052	7139	7232	7352		
25	5642	5917	6115	6257	6364	6455	6551	6673		

Capacity @ Super Heat 11K, Subcooling 8.3K

YSH/YH Series

50Hz

Capacity

R407C

Model	C.T. (°C)	E.T. (°C)								
		-25	-20	-15	-10	-5	0	5	10	
YSH450T1G-100	Capacity (W)	65					28016	33911	40652	
		60				24698	30123	36335	43414	
		55				21464	26438	32142	38655	46054
		50			18348	22892	28109	34076	40871	48574
		45		15385	19520	24270	29712	35925	42986	50974
		40	12612	16358	20661	25599	31249	37690	44999	53256
		35	13440	17317	21771	26879	32720	39372	46913	55421
	Watt (W)	30	14273	18263	22850	28112	34127	40973	48727	57469
		25	15112	19198	23901	29299	35470	42492	50444	59402
		65					14876	14875	14885	14928
		60				13261	13298	13322	13356	13424
		55			11766	11862	11922	11968	12023	12111
		50		10351	10527	10642	10721	10785	10859	10964
		45	8974	9250	9443	9574	9669	9748	9835	9953
YH400T1-105	Capacity (W)	65					25934	31069	36974	
		60				23269	27936	33316	39473	
		55				20637	24864	29747	35351	41738
		50			18087	21902	26318	31397	37203	43799
		45		15668	19101	23077	27659	32912	38898	45681
		40	13429	16507	20072	24186	28914	34319	40463	47411
		35	14170	17352	21027	25259	30110	35645	41926	49018
	Watt (W)	30	14967	18231	21994	26321	31274	36917	43314	50528
		25	15846	19169	23000	27400	32434	38164	44655	51969
		65					12598	12791	12949	13086
		60				11294	11485	11634	11756	11867
		55			10138	10333	10479	10591	10684	10775
		50		9068	9272	9419	9527	9609	9682	9760
		45	8022	8239	8395	8502	8578	8638	8697	8769
YH450T1-100	Capacity (W)	65					28261	34207	41007	
		60				24914	30386	36652	43793	
		55				21651	26669	32423	38992	46456
		50			18508	23092	28354	34373	41229	48998
		45		15520	19691	24482	29972	36239	43362	51419
		40	12722	16501	20841	25822	31522	38019	45393	53721
		35	13557	17468	21961	27114	33006	39716	47323	55905
	Watt (W)	30	14398	18423	23050	28358	34425	41331	49153	57971
		25	15244	19366	24110	29555	35780	42864	50884	
		65					14894	14893	14902	14946
		60				13277	13314	13338	13372	13440
		55			11780	11876	11936	11982	12038	12126
		50		10364	10539	10655	10734	10798	10872	10977
		45	8984	9261	9454	9586	9680	9759	9847	9965
35	8000	8290	8497	8642	8748	8838	8936	9064		
30	7123	7425	7641	7795	7909	8007	8112	8246		
25	6328	6636	6859	7018	7138	7240	7348			

Capacity @ Super Heat 11K, Subcooling 8.3K

YH Series

Capacity

50Hz
R407C

Model	C.T. (°C)	E.T. (°C)								
		-25	-20	-15	-10	-5	0	5	10	
YH610T1G-100	Capacity (W)	65						36347	44968	55275
		60					32267	39961	49205	60170
		55				28348	35187	43441	53279	64873
		50			24596	30654	37989	46773	57175	69367
		45		21021	26368	32857	40658	49940	60877	73636
		40	17627	22337	28051	34941	43177	52929	64369	77667
	35	18567	23579	29630	36890	45531	55723	67637	81443	
	30	19447	24731	31089	38690	47706	58308	70665	84949	
	25	20252	25778	32413	40325	49686	60667	73438		
	Watt (W)	65						20978	21102	21313
		60					18684	18800	18983	19223
		55				16655	16780	16952	17163	17402
50				14830	14980	15159	15357	15564	15771	
45			13147	13340	13543	13745	13938	14110	14254	
40		11545	11798	12041	12265	12459	12615	12723	12773	
YH720T1G-100	Capacity (W)	65						41779	51687	63534
		60					37088	45932	56558	69162
		55				32583	40445	49932	61241	74567
		50			28272	35235	43666	53762	65718	79732
		45		24162	30308	37767	46733	57403	69973	84640
		40	20261	25674	32243	40162	49628	60838	73987	89272
	35	21341	27102	34057	42403	52335	64050	77744	93613	
	30	22353	28426	35734	44471	54835	67020	81224	97643	
	25	23278	29630	37256	46350	57111	69732	84412		
	Watt (W)	65						24112	24255	24497
		60					21475	21609	21819	22095
		55				19143	19287	19485	19727	20002
50				17046	17219	17425	17652	17890	18128	
45			15112	15334	15566	15799	16020	16219	16384	
40		13270	13561	13840	14097	14321	14500	14624	14682	
35	11830	12176	12477	12723	12902	13004	13018	12932		
30	10502	10866	11154	11353	11453	11442	11310	11045		
25	9196	9544	9782	9899	9884	9725	9412			

Capacity @ Super Heat 11K, Subcooling 8.3K

YH Series

50Hz

Capacity

R22

Model	C.T. (°C)	E.T. (°C)								
		-25	-20	-15	-10	-5	0	5	10	
YH69A2-102	Capacity (W)	65						4618	5590	6702
		60					4072	4966	5990	7157
		55				3538	4358	5299	6372	7592
		50			3025	3774	4634	5617	6738	8007
		45		2536	3218	4001	4898	5922	7086	8403
		40	2079	2697	3406	4220	5151	6213	7418	8779
		35	2216	2855	3589	4431	5394	6491	7734	9136
		30	2353	3011	3767	4634	5626	6754	8033	9474
		25	2491	3165	3940	4830	5847	7005	8316	9792
	Watt (W)	65						2785	2782	2785
		60					2497	2496	2498	2505
		55				2234	2240	2244	2250	2261
		50			1992	2007	2017	2024	2033	2048
		45		1762	1791	1809	1822	1833	1844	1861
		40	1538	1583	1615	1636	1651	1664	1678	1697
		35	1379	1426	1459	1483	1500	1515	1531	1551
		30	1237	1286	1321	1346	1364	1380	1397	1419
		25	1108	1158	1194	1220	1239	1256	1273	1295
YH89A2-102	Capacity (W)	65						5957	7211	8644
		60					5252	6405	7726	9231
		55				4564	5622	6834	8219	9793
		50			3901	4868	5977	7246	8691	10328
		45		3271	4151	5161	6318	7639	9140	10839
		40	2682	3478	4393	5443	6645	8014	9568	11324
		35	2858	3682	4629	5715	6957	8372	9975	11784
		30	3035	3883	4859	5978	7257	8712	10361	12220
		25	3213	4082	5082	6230	7542	9035	10726	12631
	Watt (W)	65						3525	3521	3524
		60					3160	3159	3161	3170
		55				2828	2835	2840	2847	2861
		50			2521	2540	2553	2562	2574	2592
		45		2230	2266	2290	2306	2319	2334	2356
		40	1947	2004	2043	2070	2090	2106	2124	2148
		35	1745	1805	1847	1877	1898	1917	1937	1963
		30	1565	1627	1671	1703	1726	1746	1768	1795
		25	1402	1465	1511	1544	1568	1589	1611	1639
YH104A2-100	Capacity (W)	65						7095	8588	10295
		60					6255	7628	9202	10994
		55				5436	6695	8140	9789	11663
		50			4647	5797	7118	8630	10351	12301
		45		3896	4944	6146	7525	9098	10886	12909
		40	3194	4143	5232	6483	7914	9545	11396	13487
		35	3404	4386	5513	6807	8286	9971	11881	14035
		30	3615	4625	5787	7119	8643	10376	12340	14554
		25	3827	4862	6053	7420	8983	10761	12775	15043
	Watt (W)	65						4070	4066	4070
		60					3648	3648	3650	3661
		55				3265	3274	3280	3288	3304
		50			2911	2933	2947	2958	2972	2993
		45		2575	2617	2644	2663	2678	2695	2720
		40	2248	2314	2359	2391	2413	2432	2452	2481
		35	2015	2084	2133	2167	2192	2214	2237	2267
		30	1807	1879	1930	1966	1993	2017	2041	2073
		25	1619	1692	1745	1782	1811	1835	1860	1893

Capacity @ Super Heat 11K, Subcooling 8.3K

YH Series

Capacity

50Hz
R22

Model	C.T. (°C)	E.T. (°C)								
		-25	-20	-15	-10	-5	0	5	10	
YH119A2-100	Capacity (W)	65					7965	9641	11558	
		60				7022	8564	10330	12343	
		55				6102	7516	9138	10990	13094
		50			5216	6508	7992	9688	11620	13810
		45		4374	5550	6900	8447	10214	12221	14492
		40	3586	4651	5874	7278	8884	10716	12794	15141
		35	3821	4923	6190	7642	9303	11194	13338	15757
	30	4058	5192	6497	7993	9703	11649	13854	16339	
	25	4297	5458	6795	8330	10085	12081	14342	16888	
	Watt (W)	65					4569	4564	4569	
		60					4096	4095	4098	4110
		55				3666	3675	3682	3691	3709
		50			3268	3293	3309	3321	3336	3359
		45		2891	2937	2968	2989	3006	3026	3054
40		2524	2597	2649	2684	2709	2730	2753	2785	
35		2262	2339	2394	2433	2461	2485	2511	2545	
30	2029	2109	2166	2207	2238	2264	2292	2327		
25	1817	1899	1958	2001	2033	2060	2088	2125		
YH128A2-100	Capacity (W)	65					8568	10370	12432	
		60					7553	9212	11112	13276
		55				6564	8085	9829	11821	14084
		50			5611	7001	8596	10421	12499	14854
		45		4705	5970	7422	9086	10986	13146	15588
		40	3857	5002	6318	7828	9556	11526	13761	16286
		35	4110	5296	6658	8220	10006	12040	14346	16948
	30	4365	5585	6988	8597	10436	12530	14901	17575	
	25	4621	5871	7309	8960	10847	12995	15426	18166	
	Watt (W)	65					4826	4821	4826	
		60					4326	4326	4329	4341
		55				3872	3882	3889	3899	3918
		50			3452	3478	3495	3508	3524	3549
		45		3053	3103	3135	3157	3176	3196	3226
40		2666	2744	2798	2835	2861	2884	2908	2941	
35		2389	2471	2529	2570	2599	2625	2652	2688	
30	2143	2228	2288	2332	2364	2391	2421	2458		
25	1919	2006	2069	2114	2147	2176	2206	2244		
YH133A2-100	Capacity (W)	65					8902	10775	12917	
		60					7848	9572	11546	13795
		55				6820	8401	10213	12283	14634
		50			5830	7274	8932	10828	12987	15435
		45		4889	6203	7712	9441	11415	13659	16197
		40	4007	5198	6565	8134	9929	11976	14299	16922
		35	4271	5503	6918	8541	10397	12511	14907	17610
	30	4535	5803	7261	8933	10844	13019	15483	18261	
	25	4802	6100	7595	9310	11271	13502	16029	18875	
	Watt (W)	65					5076	5070	5075	
		60					4550	4550	4552	4565
		55				4072	4083	4090	4100	4120
		50			3630	3658	3676	3689	3706	3732
		45		3211	3263	3297	3321	3340	3361	3392
40		2804	2885	2942	2981	3009	3033	3059	3093	
35		2513	2599	2660	2702	2734	2760	2789	2827	
30	2254	2343	2407	2452	2486	2515	2546	2585		
25	2019	2110	2176	2223	2258	2288	2320	2360		

Capacity @ Super Heat 11K, Subcooling 8.3K

YH Series

Capacity

50Hz

R22

Model	C.T. (°C)	E.T. (°C)								
		-25	-20	-15	-10	-5	0	5	10	
YH140A2-100	Capacity (w)	65					9371	11343	13597	
		60				8261	10075	12153	14521	
		55				7179	8843	10751	12929	15404
		50			6137	7657	9402	11398	13671	16247
		45		5146	6529	8118	9938	12016	14378	17050
		40	4218	5471	6911	8562	10452	12606	15051	17813
	Watt (w)	35	4495	5792	7282	8991	10944	13169	15691	18537
		30	4774	6109	7643	9403	11415	13705	16298	19222
		25	5055	6421	7995	9800	11864	14213	16872	19869
		65					5343	5337	5342	
		60					4789	4789	4792	4806
		55				4286	4298	4305	4316	4337
		50			3821	3851	3869	3884	3901	3928
YH150A2-100	Capacity (w)	45		3380	3435	3471	3495	3515	3538	3571
		40	2951	3037	3097	3138	3168	3192	3219	3256
		35	2645	2735	2800	2845	2878	2906	2936	2976
		30	2372	2466	2533	2581	2617	2647	2680	2722
		25	2125	2221	2290	2340	2377	2409	2442	2485
		65					10040	12153	14568	
	60					8851	10795	13021	15558	
YH150A1-100	Capacity (w)	55			7692	9475	11519	13853	16504	
		50			6575	8204	10073	12212	14647	17407
		45		5514	6996	8698	10648	12874	15405	18268
		40	4520	5862	7404	9174	11199	13507	16127	19085
		35	4817	6206	7802	9633	11726	14110	16812	19861
		30	5115	6545	8189	10075	12230	14683	17462	20595
	25	5416	6880	8566	10500	12712	15228	18078	21288	
YH69A1-100	Capacity (w)	65					5725	5718	5724	
		60					5131	5131	5134	5149
		55				4592	4605	4613	4624	4647
		50			4094	4126	4146	4161	4180	4209
		45		3622	3680	3719	3745	3767	3791	3826
		40	3162	3254	3318	3362	3394	3420	3449	3489
	35	2834	2931	2999	3048	3083	3113	3146	3189	
YH69A2-100	Capacity (w)	30	2542	2642	2714	2766	2804	2836	2871	2916
		25	2277	2380	2454	2507	2547	2581	2617	2662
		65					4551	5509	6604	
		60					4012	4894	5903	7053
		55				3487	4295	5222	6280	7482
		50			2981	3719	4567	5536	6640	7891
	45		2499	3171	3943	4827	5836	6984	8281	
YH69A1-100	Capacity (w)	40	2049	2658	3357	4159	5077	6123	7311	8652
		35	2183	2813	3537	4367	5316	6396	7622	9004
		30	2319	2967	3712	4567	5544	6656	7916	9336
		25	2455	3119	3883	4760	5763	6903	8195	9651
		65					2709	2706	2709	
		60					2420	2420	2421	2429
	55				2157	2163	2167	2173	2184	
Watt (w)	50			1914	1930	1939	1947	1956	1970	
	45		1684	1712	1731	1744	1755	1766	1784	
	40	1460	1505	1536	1558	1573	1586	1600	1619	
	35	1300	1347	1381	1404	1421	1436	1452	1473	
	30	1157	1206	1241	1267	1285	1301	1318	1340	
	25	1028	1078	1114	1140	1160	1176	1194	1216	

Capacity @ Super Heat 11K, Subcooling 8.3K

YH Series

Capacity

50Hz
R22

Model	C.T. (°C)	E.T. (°C)								
		-25	-20	-15	-10	-5	0	5	10	
YH89A1-100	Capacity (W)	65					5957	7211	8644	
		60				5252	6405	7726	9231	
		55			4564	5622	6834	8219	9793	
		50			3901	4868	5977	7246	8691	10328
		45		3271	4151	5161	6318	7639	9140	10839
		40	2682	3478	4393	5443	6645	8014	9568	11324
		35	2858	3682	4629	5715	6957	8372	9975	11784
	Watt (W)	30	3035	3883	4859	5978	7257	8712	10361	12220
		25	3213	4082	5082	6230	7542	9035	10726	12631
		65					3007	3006	3008	3017
		60				2680	2688	2692	2699	2713
		55			2378	2397	2409	2419	2430	2448
		50		2092	2128	2151	2167	2180	2195	2216
		45	1814	1869	1908	1935	1954	1970	1988	2012
YH104A1-100	Capacity (W)	35	1615	1674	1715	1744	1766	1784	1804	1830
		30	1438	1499	1542	1574	1597	1616	1638	1665
		25	1277	1340	1385	1417	1441	1461	1483	1511
		65					7095	8588	10295	
		60					6255	7628	9202	10994
		55			5436	6695	8140	9789	11663	
		50			4647	5797	7118	8630	10351	12301
	Watt (W)	45		3896	4944	6146	7525	9098	10886	12909
		40	3194	4143	5232	6483	7914	9545	11396	13487
		35	3404	4386	5513	6807	8286	9971	11881	14035
		30	3615	4625	5787	7119	8643	10376	12340	14554
		25	3827	4862	6053	7420	8983	10761	12775	15043
		65					4009	4004	4008	
		60					3581	3581	3583	3593
Watt (W)	55				3192	3201	3207	3215	3231	
	50			2832	2855	2870	2881	2894	2915	
	45		2492	2534	2562	2581	2596	2614	2639	
	40	2160	2227	2273	2305	2327	2346	2367	2396	
	35	1923	1993	2043	2078	2103	2125	2148	2179	
	30	1713	1785	1837	1874	1902	1925	1950	1983	
	25	1521	1596	1649	1687	1716	1741	1767	1799	
YH119A1-100	Capacity (W)	65					7965	9641	11558	
		60					7022	8564	10330	12343
		55				6102	7516	9138	10990	13094
		50			5216	6508	7992	9688	11620	13810
		45		4374	5550	6900	8447	10214	12221	14492
		40	3586	4651	5874	7278	8884	10716	12794	15141
		35	3821	4923	6190	7642	9303	11194	13338	15757
	Watt (W)	30	4058	5192	6497	7993	9703	11649	13854	16339
		25	4297	5458	6795	8330	10085	12081	14342	16888
		65					4460	4455	4460	
		60					3984	3984	3987	3998
		55				3552	3562	3568	3577	3595
		50			3151	3177	3193	3205	3220	3244
		45		2772	2819	2850	2871	2889	2908	2936
40	2403	2477	2529	2564	2590	2611	2634	2666		
35	2140	2218	2273	2312	2340	2364	2390	2425		
30	1905	1986	2044	2085	2116	2142	2170	2206		
25	1693	1775	1835	1878	1909	1937	1966	2002		

Capacity @ Super Heat 11K, Subcooling 8.3K

YH Series

Capacity

50Hz

R22

Model	C.T. (°C)	E.T. (°C)								
		-25	-20	-15	-10	-5	0	5	10	
YH128A1-100	Capacity (w)	65					8568	10370	13597	
		60				7553	9212	11112	14521	
		55				6564	8085	9829	11821	15404
		50			5611	7001	8596	10421	12499	16247
		45		4705	5970	7422	9086	10986	13146	17050
		40	3857	5002	6318	7828	9556	11526	13761	17813
		35	4110	5296	6658	8220	10006	12040	14346	18537
	30	4365	5585	6988	8597	10436	12530	14901	19222	
	25	4621	5871	7309	8960	10847	12995	15426	19869	
	Watt (w)	65						4700	4695	5342
		60					4199	4198	4201	4806
		55				3743	3753	3760	3770	4337
		50			3321	3348	3365	3378	3394	3928
		45		2922	2971	3004	3026	3044	3065	3571
40		2533	2611	2665	2702	2729	2751	2776	3256	
35		2255	2337	2395	2436	2466	2492	2519	2976	
30	2008	2093	2154	2197	2230	2257	2287	2722		
25	1784	1871	1934	1979	2012	2041	2071	2485		
YH133A1-100	Capacity (w)	65					8902	10775	14568	
		60					7848	9572	11546	15558
		55				6820	8401	10213	12283	16504
		50			5830	7274	8932	10828	12987	17407
		45		4889	6203	7712	9441	11415	13659	18268
		40	4007	5198	6565	8134	9929	11976	14299	19085
		35	4271	5503	6918	8541	10397	12511	14907	19861
	30	4535	5803	7261	8933	10844	13019	15483	20595	
	25	4802	6100	7595	9310	11271	13502	16029	21288	
	Watt (w)	65						4884	4879	5724
		60					4363	4362	4365	5149
		55				3889	3900	3907	3917	4647
		50			3451	3479	3496	3510	3526	4209
		45		3036	3087	3121	3144	3163	3185	3826
40		2632	2713	2769	2808	2836	2859	2884	3489	
35		2343	2428	2489	2531	2562	2589	2618	3189	
30	2086	2175	2238	2283	2317	2346	2376	2916		
25	1854	1944	2009	2056	2091	2121	2152	2662		
YH140A1-100	Capacity (w)	65					9371	11343	6604	
		60					8261	10075	12153	7053
		55				7179	8843	10751	12929	7482
		50			6137	7657	9402	11398	13671	7891
		45		5146	6529	8118	9938	12016	14378	8281
		40	4218	5471	6911	8562	10452	12606	15051	8652
		35	4495	5792	7282	8991	10944	13169	15691	9004
	30	4774	6109	7643	9403	11415	13705	16298	9336	
	25	5055	6421	7995	9800	11864	14213	16872	9651	
	Watt (w)	65						5186	5181	2709
		60					4633	4632	4635	2429
		55				4130	4141	4149	4159	2184
		50			3664	3694	3713	3727	3744	1970
		45		3224	3278	3314	3339	3359	3382	1784
40		2795	2881	2941	2982	3011	3036	3063	1619	
35		2488	2579	2643	2688	2721	2749	2779	1473	
30	2216	2309	2377	2425	2460	2491	2523	1340		
25	1968	2064	2133	2183	2220	2252	2285	1216		

Capacity @ Super Heat 11K, Subcooling 8.3K

YH Series

Capacity

50Hz
R22

Model	C.T. (°C)	E.T. (°C)								
		-25	-20	-15	-10	-5	0	5	10	
YH150A1-100	Capacity (W)	65					10040	12153	14569	
		60				8851	10795	13021	15558	
		55				7692	9475	11519	13853	16504
		50			6575	8204	10073	12212	14647	17407
		45		5514	6996	8698	10648	12874	15405	18268
		40	4520	5862	7404	9174	11199	13507	16127	19085
		35	4817	6206	7802	9633	11726	14110	16812	19861
	30	5115	6545	8189	10075	12230	14683	17462	20595	
	25	5416	6880	8566	10500	12712	15228	18078	21288	
	Watt (W)	65					4964	4963	4966	4981
		60				4425	4437	4445	4456	4479
		55				3926	3958	3978	3993	4012
		50			3454	3512	3551	3577	3599	3623
		45		2994	3086	3151	3195	3226	3252	3282
40		2666	2763	2832	2880	2915	2945	2978	3021	
35		2374	2474	2546	2598	2636	2669	2703	2748	
30	2109	2212	2286	2339	2379	2413	2449	2494		
YH175A1-100	Capacity (W)	65					11714	14178	16997	
		60					10326	12594	15192	18151
		55				8974	11054	13439	16162	19255
		50			7671	9571	11752	14247	17088	20309
		45		6433	8161	10147	12423	15020	17972	21312
		40	5273	6839	8638	10703	13065	15758	18814	22266
		35	5619	7240	9102	11238	13680	16461	19614	23171
	30	5968	7636	9554	11754	14269	17131	20373	24028	
	25	6318	8027	9993	12250	14830	17766	21090	24836	
	Watt (W)	65					5740	5740	5744	5761
		60				5117	5131	5141	5154	5180
		55			4540	4577	4600	4618	4640	4674
		50		3994	4062	4107	4137	4162	4190	4231
		45	3463	3569	3644	3695	3731	3762	3795	3841
40		3083	3195	3275	3331	3372	3406	3444	3493	
35		2745	2862	2945	3004	3048	3086	3127	3178	
30	2439	2558	2644	2705	2751	2790	2832	2885		
YH200A1-100	Capacity (W)	65					13387	16204	19425	
		60					11802	14393	17362	20744
		55				10256	12633	15358	18470	22006
		50			8767	10938	13431	16282	19530	23210
		45		7352	9327	11597	14197	17166	20540	24357
		40	6026	7816	9872	12232	14932	18009	21502	25447
		35	6422	8275	10403	12844	15635	18813	22416	26482
	30	6820	8727	10919	13433	16307	19578	23283	27460	
	25	7221	9174	11421	14000	16949	20304	24103	28384	
	Watt (W)	65					6657	6656	6661	6680
		60				5934	5951	5961	5977	6007
		55			5265	5308	5335	5355	5380	5420
		50		4632	4711	4762	4798	4826	4859	4906
		45	4016	4139	4225	4285	4327	4362	4401	4454
40		3575	3705	3798	3862	3910	3950	3994	4051	
35		3184	3318	3415	3484	3535	3579	3626	3686	
30	2828	2966	3066	3137	3190	3236	3284	3345		

Capacity @ Super Heat 11K, Subcooling 8.3K

YH Series

Capacity

50Hz

R22

Model	C.T. (°C)	E.T. (°C)								
		-25	-20	-15	-10	-5	0	5	10	
YH230A1-100	Capacity (w)	65					15462	18715	22436	
		60				13631	16624	20053	23960	
		55				11846	14591	17739	21333	25417
		50			10126	12634	15513	18806	22557	26807
		45		8491	10773	13394	16398	19827	23724	28132
		40	6960	9028	11403	14128	17246	20801	24835	29392
		35	7417	9557	12015	14834	18058	21729	25891	30586
	30	7877	10079	12611	15515	18834	22612	26892	31717	
	25	8340	10595	13191	16170	19576	23451	27839	32783	
	Watt (w)	65						8483	8474	8482
		60					7577	7577	7582	7604
		55				6755	6773	6786	6803	6838
		50			5993	6042	6072	6096	6124	6169
		45		5273	5362	5421	5461	5494	5531	5584
40		4571	4712	4810	4877	4925	4965	5010	5070	
35		4070	4218	4323	4396	4450	4497	4546	4611	
YH266A1-100	Capacity (w)	65					17805	21551	25835	
		60					15696	19143	23091	27590
		55				13641	16802	20427	24566	29268
		50			11660	14548	17863	21656	25974	30869
		45		9778	12405	15424	18882	22831	27318	32395
		40	8015	10396	13130	16268	19859	23952	28598	33845
		35	8541	11005	13836	17082	20794	25021	29814	35220
	30	9071	11607	14522	17866	21688	26039	30967	36522	
	25	9604	12201	15190	18620	22542	27004	32057	37751	
	Watt (w)	65						9768	9757	9767
		60					8726	8725	8730	8756
		55				7778	7800	7814	7834	7874
		50			6901	6958	6993	7020	7052	7104
		45		6071	6174	6242	6288	6326	6369	6431
40		5263	5425	5538	5616	5671	5718	5769	5838	
35		4686	4857	4978	5063	5125	5178	5235	5310	
YH307A1-100	Capacity (w)	65					20549	24873	29817	
		60					18115	22094	26650	31843
		55				15743	19391	23575	28352	33779
		50			13457	16791	20617	24993	29978	35627
		45		11285	14318	17801	21793	26350	31529	37388
		40	9250	11998	15154	18776	22920	27644	33006	39061
		35	9858	12701	15968	19715	23999	28878	34409	40649
	30	10469	13396	16760	20619	25031	30052	35740	42151	
	25	11084	14081	17531	21490	26016	31167	36999	43569	
	Watt (w)	65						11177	11164	11175
		60					9984	9983	9989	10019
		55				8900	8924	8940	8964	9009
		50			7897	7961	8001	8032	8069	8128
		45		6947	7065	7142	7195	7238	7287	7358
40		6022	6208	6337	6426	6489	6542	6600	6680	
35		5362	5557	5695	5793	5864	5924	5990	6076	
30	4775	4977	5122	5225	5302	5367	5438	5527		
25	4242	4448	4598	4705	4785	4853	4925	5017		

Capacity @ Super Heat 11K, Subcooling 8.3K

YH/YSH Series

50Hz

Capacity

R22

Model	C.T. (°C)	E.T. (°C)								
		-25	-20	-15	-10	-5	0	5	10	
YH355A1-100	Capacity (W)	65					23762	28761	34479	
		60					20948	25548	30817	36821
		55				18204	22423	27261	32785	39060
		50			15562	19416	23840	28901	34665	41198
		45		13049	16556	20584	25200	30469	36458	43233
		40	10696	13874	17524	21711	26504	31966	38166	45169
		35	11399	14687	18465	22797	27751	33393	39789	47005
	30	12106	15490	19381	23843	28945	34751	41328	48742	
	25	12817	16283	20272	24850	30084	36040	42783	50381	
	Watt (W)	65						12850	12836	12849
		60					11479	11478	11485	11519
		55				10232	10261	10279	10306	10358
		50			9079	9153	9199	9234	9277	9345
		45		7987	8123	8212	8272	8322	8379	8460
40		6924	7137	7286	7388	7460	7522	7589	7680	
35		6165	6389	6548	6660	6742	6812	6887	6985	
30	5490	5722	5889	6007	6096	6171	6252	6355		
25	4877	5115	5286	5409	5501	5580	5663	5768		
YSH400A1G-100	Capacity (W)	65					26439	32002	38364	
		60					23308	28427	34290	40970
		55				20256	24950	30333	36479	43462
		50			17315	21603	26526	32158	38571	45840
		45		14519	18422	22904	28040	33903	40566	48105
		40	11902	15437	19498	24158	29490	35568	42467	50258
		35	12684	16342	20545	25366	30878	37156	44272	52301
	30	13470	17235	21564	26530	32206	38666	45984	54234	
	25	14262	18118	22556	27650	33474	40101	47604	56058	
	Watt (W)	65						14719	14702	14717
		60					13148	13146	13155	13194
		55				11720	11752	11774	11804	11864
		50			10399	10484	10536	10577	10626	10704
		45		9148	9304	9406	9475	9532	9597	9690
40		7931	8175	8345	8462	8545	8615	8692	8797	
35		7062	7318	7500	7628	7722	7802	7888	8001	
30	6288	6554	6745	6881	6982	7069	7161	7279		
25	5586	5858	6055	6196	6301	6391	6486	6607		
YSH450A1G-100	Capacity (W)	65					29183	35324	42346	
		60					25727	31378	37849	45223
		55				22358	27539	33481	40265	47973
		50			19112	23846	29280	35496	42574	50598
		45		16026	20334	25281	30950	37422	44777	53098
		40	13137	17040	21522	26665	32551	39260	46874	55475
		35	14000	18039	22678	27999	34083	41013	48868	57730
	30	14868	19024	23803	29284	35549	42680	50758	59863	
	25	15742	19998	24897	30520	36948	44263	52545	61877	
	Watt (W)	65						16489	16471	16487
		60					14729	14728	14737	14781
		55				13130	13166	13190	13224	13291
		50			11650	11745	11804	11849	11904	11992
		45		10249	10423	10537	10615	10679	10751	10855
40		8885	9158	9349	9480	9573	9651	9738	9855	
35		7911	8198	8403	8546	8651	8740	8837	8963	
30	7044	7342	7556	7708	7822	7919	8022	8155		
25	6258	6563	6783	6941	7059	7160	7266	7401		

Capacity @ Super Heat 11K, Subcooling 8.3K

YH Series

Capacity

50Hz

R22

Model	C.T. (°C)	E.T. (°C)								
		-25	-20	-15	-10	-5	0	5	10	
YH400A1-105	Capacity (W)	65					27015	32364	38515	
		60				24239	29100	34704	41118	
		55				21497	25900	30987	36825	43478
		50			18841	22815	27415	32706	38753	45624
		45		16321	19897	24038	28812	34283	40519	47584
		40	13988	17195	20908	25194	30119	35749	42149	49387
		35	14761	18075	21903	26311	31365	37130	43673	51061
	30	15591	18990	22911	27417	32577	38456	45119	52634	
	25	16506	19968	23958	28542	33785	39754	46515	54134	
	Watt (W)	65						13974	14172	14341
		60					12474	12665	12821	12956
		55				11182	11372	11519	11640	11749
		50			10037	10230	10375	10486	10579	10669
		45		8978	9180	9326	9432	9514	9586	9663
40		7942	8158	8311	8418	8493	8552	8610	8683	
35		7103	7269	7381	7455	7507	7550	7601	7675	
30	6137	6260	6338	6387	6421	6456	6507	6590		
25	4993	5080	5131	5161	5185	5219	5277	5375		
YH450A1-100	Capacity (W)	65					29143	35275	42287	
		60					25691	31334	37796	45159
		55				22327	27501	33435	40209	47906
		50			19086	23813	29239	35446	42515	50527
		45		16004	20305	25246	30907	37369	44715	53024
		40	13119	17016	21492	26628	32505	39205	46809	55397
		35	13981	18013	22646	27960	34036	40955	48799	57649
	30	14847	18998	23769	29243	35499	42620	50687	59780	
	25	15720	19970	24863	30478	36897	44201	52472		
	Watt (W)	65						16376	16357	16373
		60					14627	14626	14636	14679
		55				13039	13075	13099	13133	13200
		50			11570	11664	11722	11768	11822	11909
		45		10178	10351	10464	10542	10605	10677	10780
40		8824	9095	9285	9414	9507	9585	9671	9787	
35		7856	8142	8345	8487	8591	8680	8776	8902	
30	6996	7292	7504	7655	7768	7864	7967	8098		
25	6214	6518	6736	6893	7010	7110	7216			

Capacity @ Super Heat 11K, Subcooling 8.3K

YH Series

Capacity

50Hz
R22

Model	C.T. (°C)	E.T. (°C)								
		-25	-20	-15	-10	-5	0	5	10	
YH610A1-100	Capacity (W)	65					39425	47721	57208	
		60				34757	42390	51132	61094	
		55			30205	37204	45232	54397	64809	
		50			25820	32215	39556	47953	57516	68355
		45		21651	27470	34154	41812	50555	60492	71733
		40	17748	23020	29075	36024	43975	53039	63325	74944
		35	18913	24369	30637	37825	46045	55406	66018	77990
	30	20086	25701	32156	39561	48025	57659	68571		
	25	21267	27017	33635	41231	49916	59797	70986		
	Watt (W)	65						22154	22129	22151
		60					19789	19787	19800	19858
		55				17640	17689	17721	17767	17857
		50			15652	15779	15858	15920	15994	16111
		45		13769	14003	14157	14261	14347	14444	14584
40		11937	12304	12561	12736	12861	12967	13083	13240	
35		10628	11015	11289	11481	11623	11743	11873	12043	
YH720A1-100	Capacity (W)	65					46439	56210	67384	
		60					40939	49930	60228	71961
		55				35578	43823	53278	64073	76338
		50			30413	37945	46592	56483	67747	80514
		45		25502	32356	40229	49250	59548	71252	84493
		40	20905	27115	34247	42432	51797	62474	74590	88276
		35	22278	28704	36087	44554	54236	65262	77762	91864
	30	23659	30273	37876	46598	56568	67915	80769		
	25	25050	31823	39618	48566	58795	70434	83614		
	Watt (W)	65						26095	26065	26091
		60					23309	23307	23322	23391
		55				20778	20835	20873	20927	21033
		50			18436	18586	18679	18752	18839	18977
		45		16219	16494	16675	16798	16899	17014	17178
40		14060	14493	14795	15002	15149	15273	15410	15595	
35		12519	12974	13297	13524	13690	13832	13985	14185	
30	11147	11619	11958	12199	12378	12531	12695			
25	9903	10386	10734	10984	11171	11330	11499			

Capacity @ Super Heat 11K, Subcooling 8.3K

YIH Series

Capacity

50Hz

R410A

Model	C.T. (°C)	E.T. (°C)								
		-25	-20	-15	-10	-5	0	5	10	
YIH38C1G-100	Capacity (w)	65					10391	12390	14703	
		60				9409	11323	13531	16071	
		55				8329	10137	12223	14620	17366
		50			7224	8907	10849	13085	15651	18581
		45		6166	7705	9484	11539	13904	16616	19710
		40	5229	6604	8200	10053	12199	14673	17510	20747
		35	5676	7069	8701	10608	12824	15385	18328	21687
	Watt (w)	30	6165	7556	9203	11142	13408	16036	19062	22522
		25	6690	8058	9700	11650	13944	16617	19706	23246
		65					5991	6009	6027	
		60					5351	5392	5429	5474
		55				4744	4807	4859	4915	4985
		50			4182	4262	4327	4389	4462	4557
		45		3673	3767	3842	3908	3980	4069	4187
YIH42C1G-100	Capacity (w)	40	3229	3334	3414	3482	3549	3629	3733	3874
		35	2971	3054	3119	3179	3246	3333	3452	3614
		30	2771	2831	2880	2932	2998	3090	3222	3405
		25	2627	2662	2695	2737	2800	2898	3042	3244
		65					11485	13694	16251	
		60					10399	12514	14956	17763
		55				9205	11204	13509	16159	19194
	Watt (w)	50			7984	9845	11992	14463	17298	20537
		45		6815	8516	10483	12753	15368	18365	21785
		40	5780	7299	9063	11111	13483	16217	19354	22931
		35	6273	7813	9617	11724	14174	17005	20257	23969
		30	6814	8351	10172	12315	14819	17724	21068	24892
		25	7394	8906	10721	12876	15411	18367	21781	25693
		65					6622	6641	6661	
Watt (w)	60					5914	5960	6001	6050	
	55				5244	5313	5371	5432	5509	
	50			4622	4710	4782	4852	4932	5036	
	45		4060	4164	4246	4320	4399	4497	4628	
	40	3569	3685	3773	3848	3923	4011	4126	4282	
	35	3284	3375	3447	3514	3588	3684	3815	3994	
	30	3063	3129	3183	3240	3313	3416	3561	3763	
25	2903	2943	2979	3025	3095	3203	3362	3586		
YIH50C1G-100	Capacity (w)	65					13672	16303	19346	
		60					12380	14898	17805	21146
		55				10959	13339	16083	19237	22850
		50			9505	11720	14276	17218	20593	24448
		45		8114	10139	12479	15182	18295	21863	25934
		40	6881	8689	10789	13228	16051	19306	23040	27299
		35	7468	9301	11449	13957	16874	20244	24116	28535
	Watt (w)	30	8111	9942	12109	14660	17641	21100	25081	29634
		25	8803	10603	12763	15328	18347	21865	25930	30587
		65					7883	7906	7930	
		60					7041	7095	7144	7202
		55				6243	6325	6394	6467	6559
		50			5503	5608	5693	5776	5871	5996
		45		4833	4957	5055	5143	5237	5354	5510
40	4248	4387	4492	4581	4670	4775	4912	5097		
35	3909	4018	4104	4183	4272	4386	4541	4755		
30	3646	3725	3790	3858	3944	4066	4239	4480		
25	3457	3503	3546	3601	3685	3813	4002	4269		

Capacity @ Super Heat 11K, Subcooling 8.3K

YIH Series

Capacity

50Hz

R410A

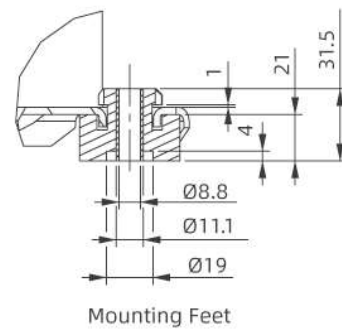
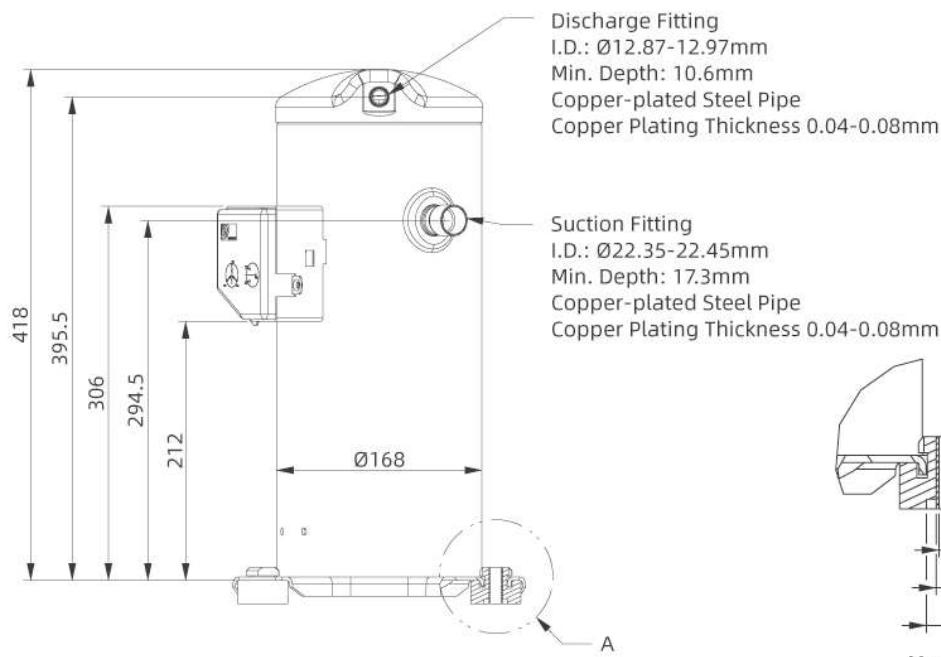
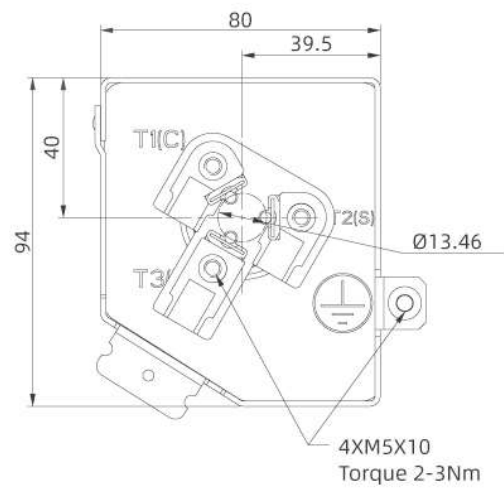
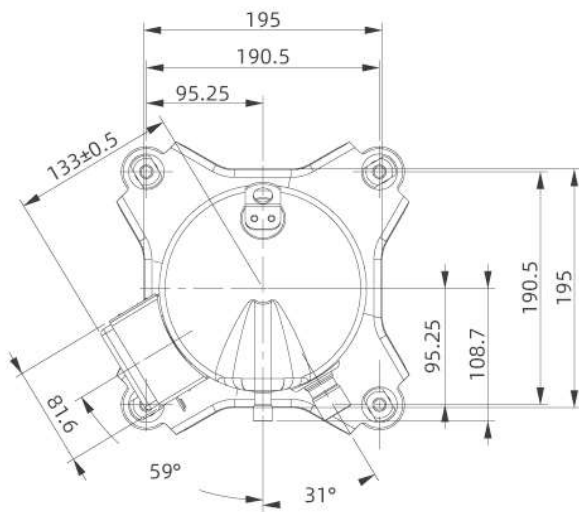
Model	C.T. (°C)	E.T. (°C)								
		-25	-20	-15	-10	-5	0	5	10	
YIH60C1G-100	Capacity (W)	65					16415	19572	23223	
		60				14862	17884	21372	25382	
		55				13156	16011	19304	23090	27424
		50			11410	14068	17134	20665	24715	29342
		45		9739	12169	14978	18222	21957	26239	31124
		40	8259	10429	12949	15875	19263	23170	27650	32761
		35	8963	11163	13740	16750	20249	24294	28940	34243
	30	9734	11931	14532	17593	21171	25320	30098	35561	
	25	10563	12724	15316	18395	22017	26239	31116	36705	
	Watt (W)	65						9460	9487	9516
		60					8449	8514	8573	8643
		55				7491	7590	7673	7760	7871
		50			6603	6729	6832	6931	7045	7195
		45		5800	5949	6066	6171	6284	6425	6612
40		5098	5264	5390	5497	5604	5730	5894	6117	
35		4691	4822	4925	5020	5126	5263	5450	5706	
30	4376	4470	4548	4629	4733	4879	5087	5376		
25	4148	4204	4255	4321	4422	4576	4803	5122		
YIH72C1G-100	Capacity (W)	65					19688	23476	27858	
		60					17827	21453	25639	30450
		55				15781	19208	23159	27702	32903
		50			13687	16877	20557	24793	29654	35206
		45		11684	14600	17970	21863	26345	31483	37345
		40	9908	12513	15537	19048	23114	27801	33178	39311
		35	10754	13394	16487	20099	24298	29151	34726	41090
	30	11680	14317	17438	21111	25404	30383	36117	42672	
	25	12676	15268	18378	22073	26420	31486	37339	44045	
	Watt (W)	65						11352	11385	11419
		60					10139	10217	10287	10371
		55				8989	9108	9207	9312	9445
		50			7924	8075	8198	8317	8454	8634
		45		6960	7138	7279	7406	7541	7710	7934
40		6118	6317	6469	6597	6725	6876	7073	7340	
35		5629	5786	5910	6024	6151	6315	6540	6848	
30	5251	5364	5457	5555	5680	5855	6105	6451		
25	4977	5045	5106	5185	5306	5491	5763	6147		

Capacity @ Super Heat 11K, Subcooling 8.3K

YH Series

Product Dimensions

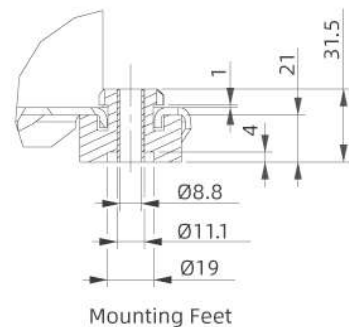
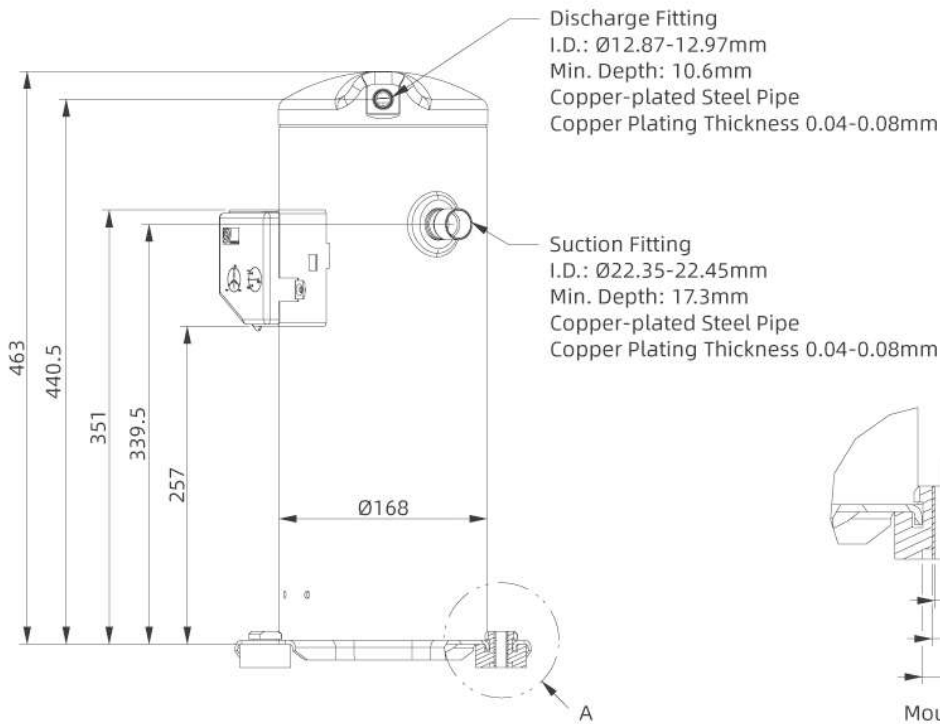
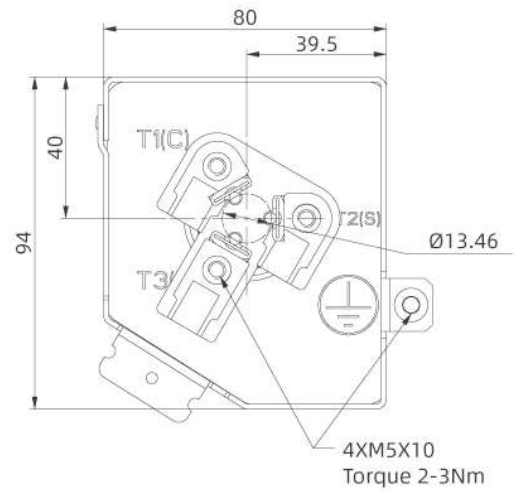
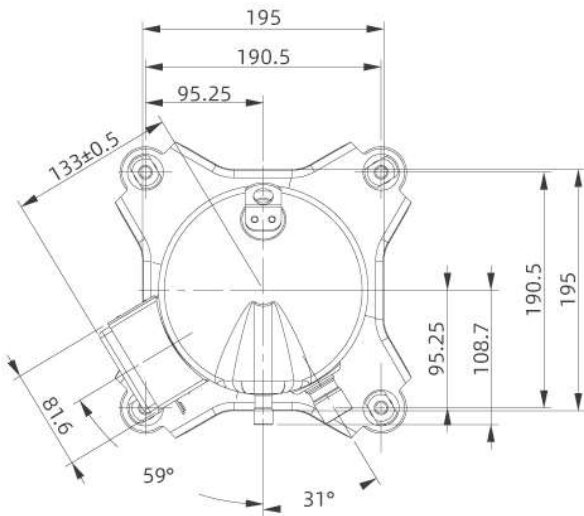
1Ph 2-3HP, 3Ph 2-5HP



YH Series

Product Dimensions

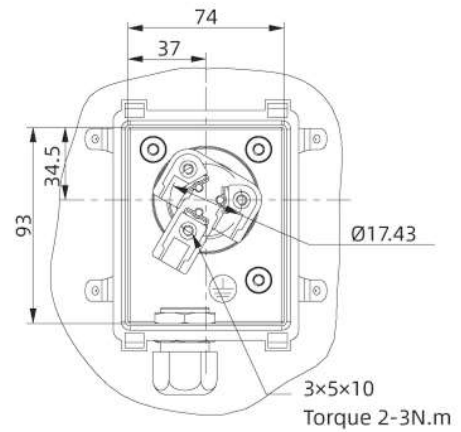
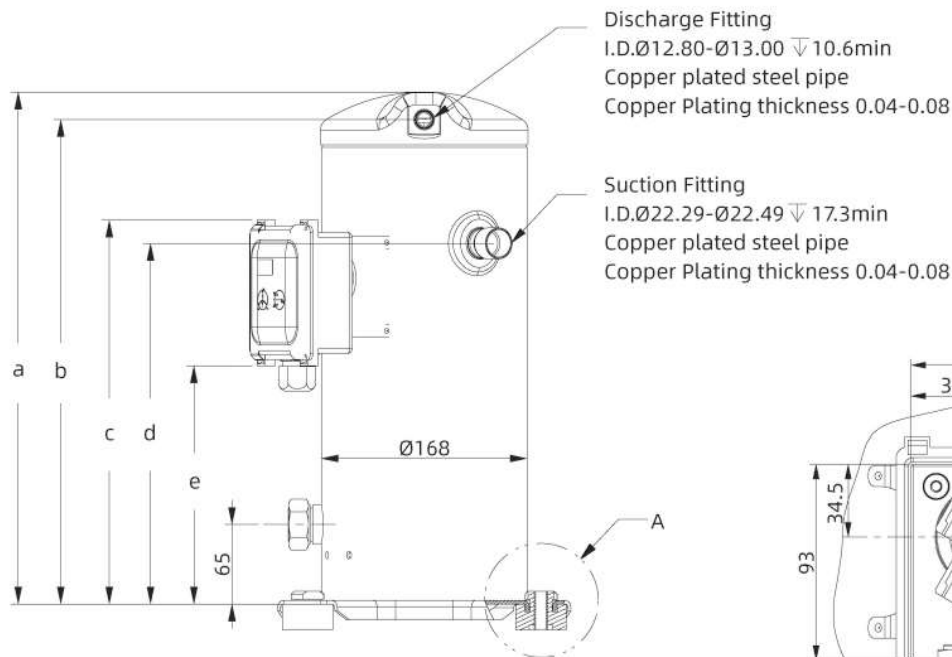
1Ph 4-5HP, 3Ph 6-7HP



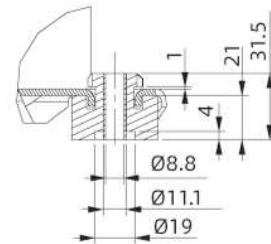
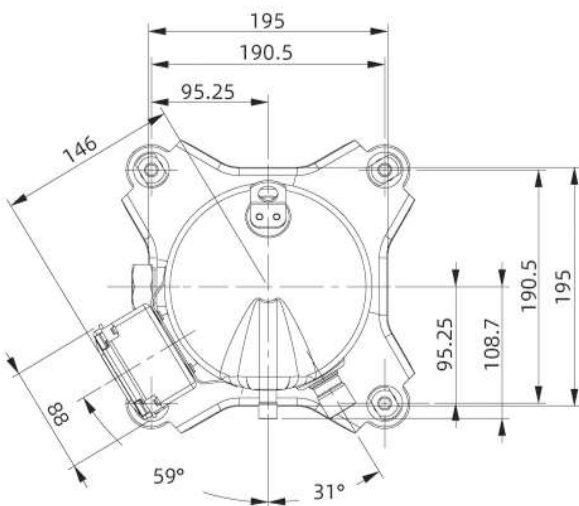
YA Series

Product Dimensions

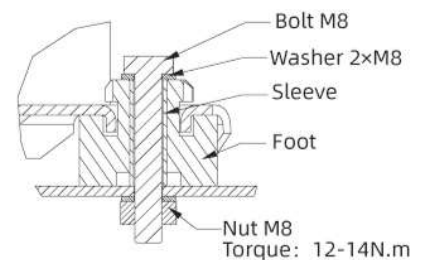
R454B 3.5-7HP



Wiring diagram



Mounting Feet



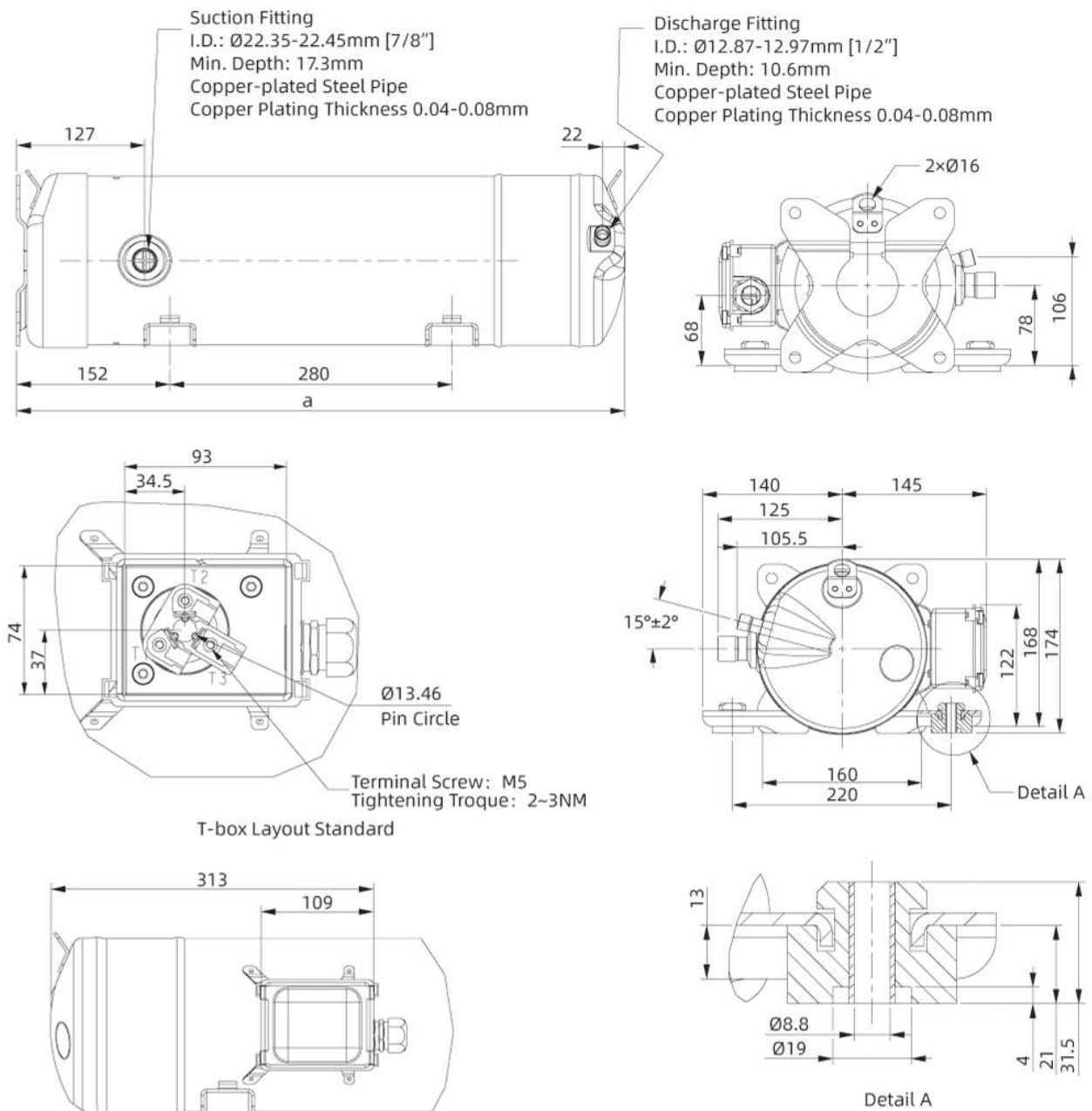
Foot installation recommendation

	a	b	c	d	e
3.5-5HP	418	395.5	313.5	294.5	194.5
6-7HP	463	440.5	358.5	339.5	239.5

YHZ Series

Product Dimensions

YHZ82/140/185



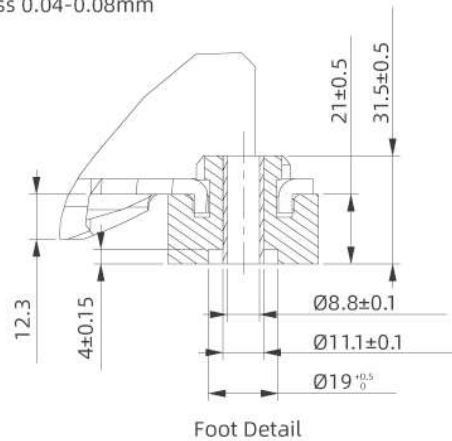
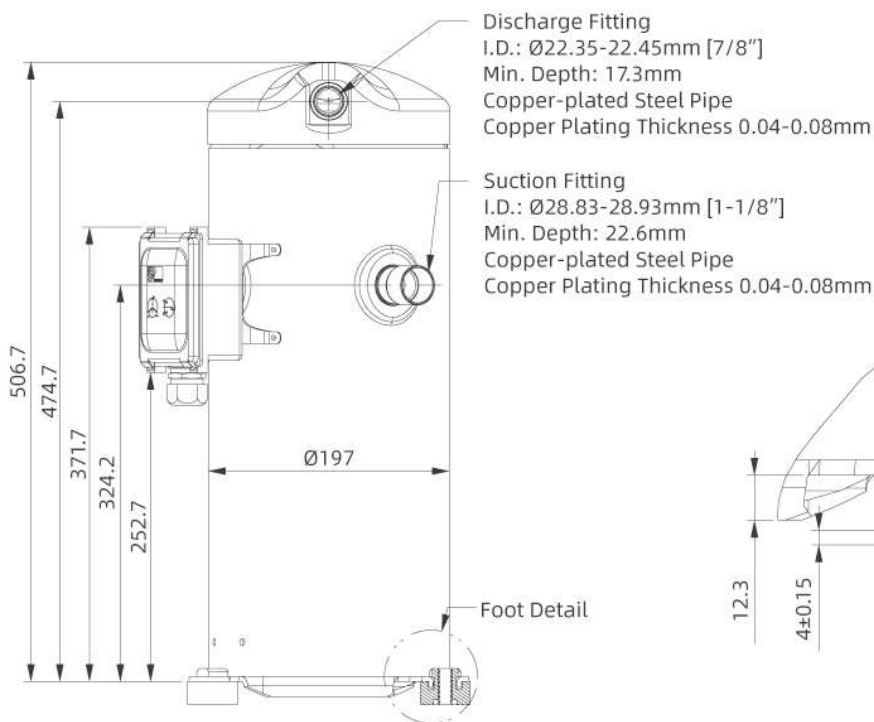
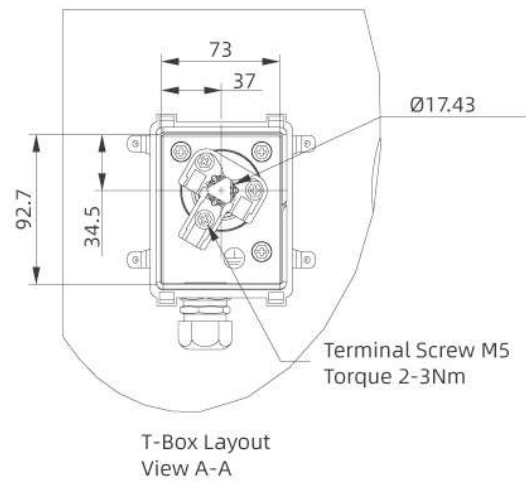
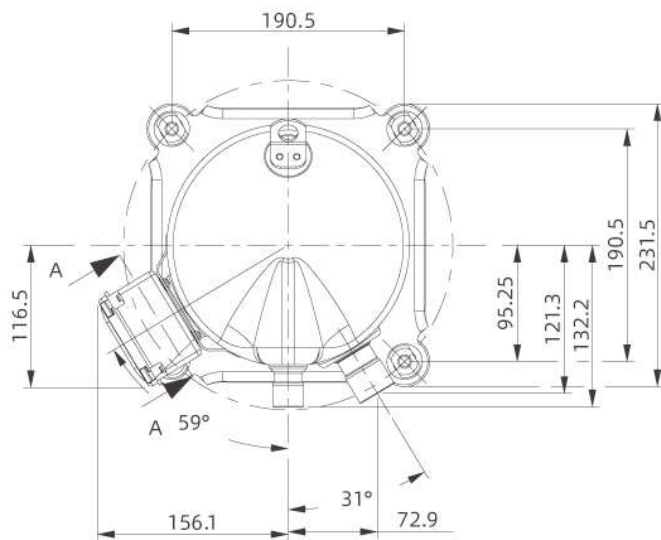
- NOTES
1. ALL TOLERANCES UNLESS OTHERWISE SPECIFIED: ±2mm
 2. TUBE ENDS MUST BE PLUGGED

	a
YHZ82/140	558.5
YHZ185	603.5

YA/YH Series

Product Dimensions

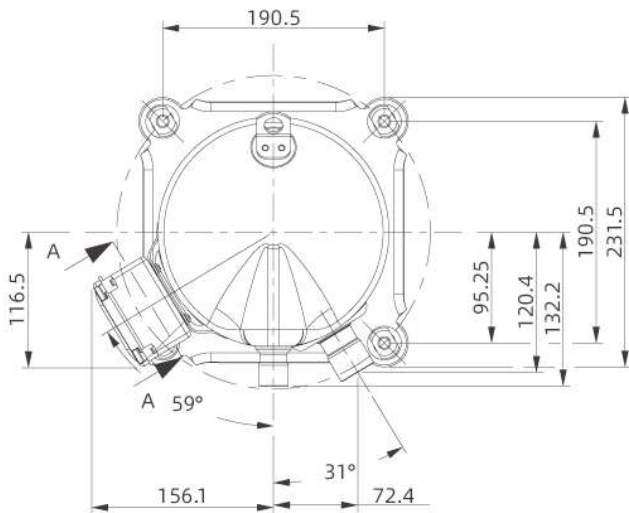
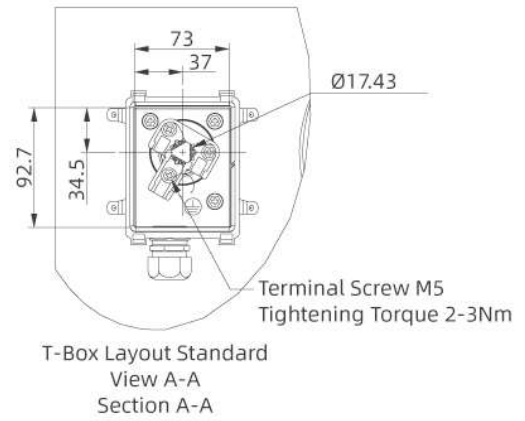
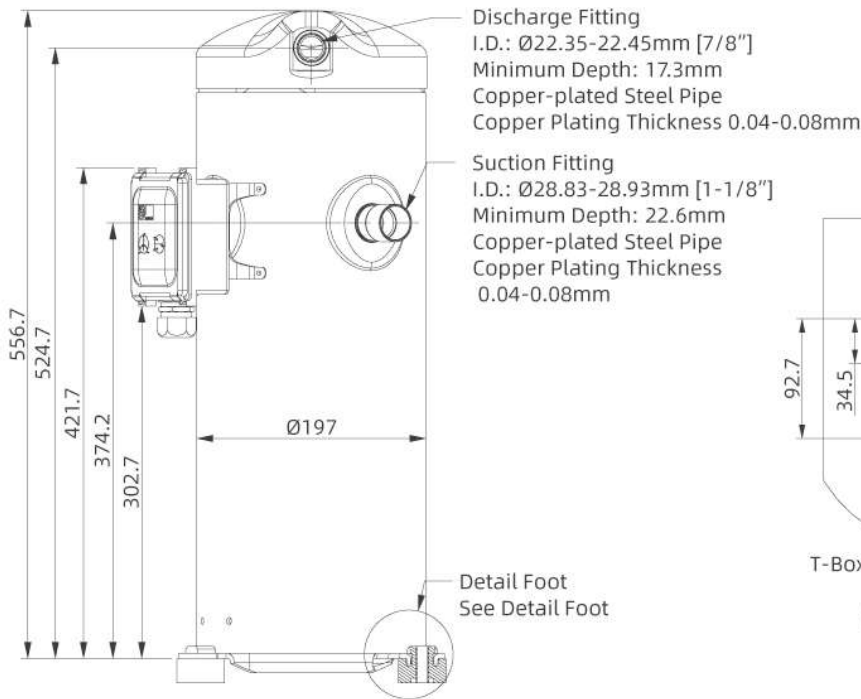
8-12 HP



YH Series

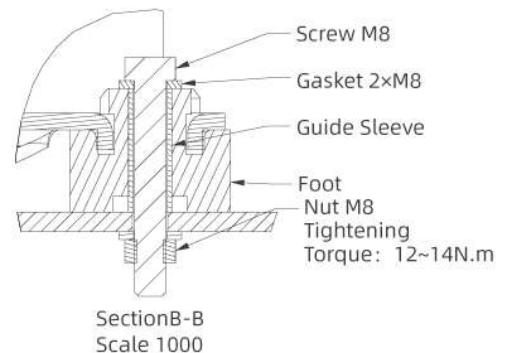
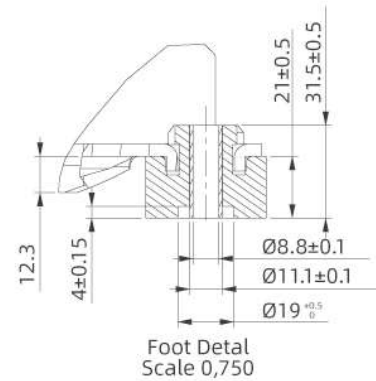
Product Dimensions

YH400/YH450C



Technical Requirements

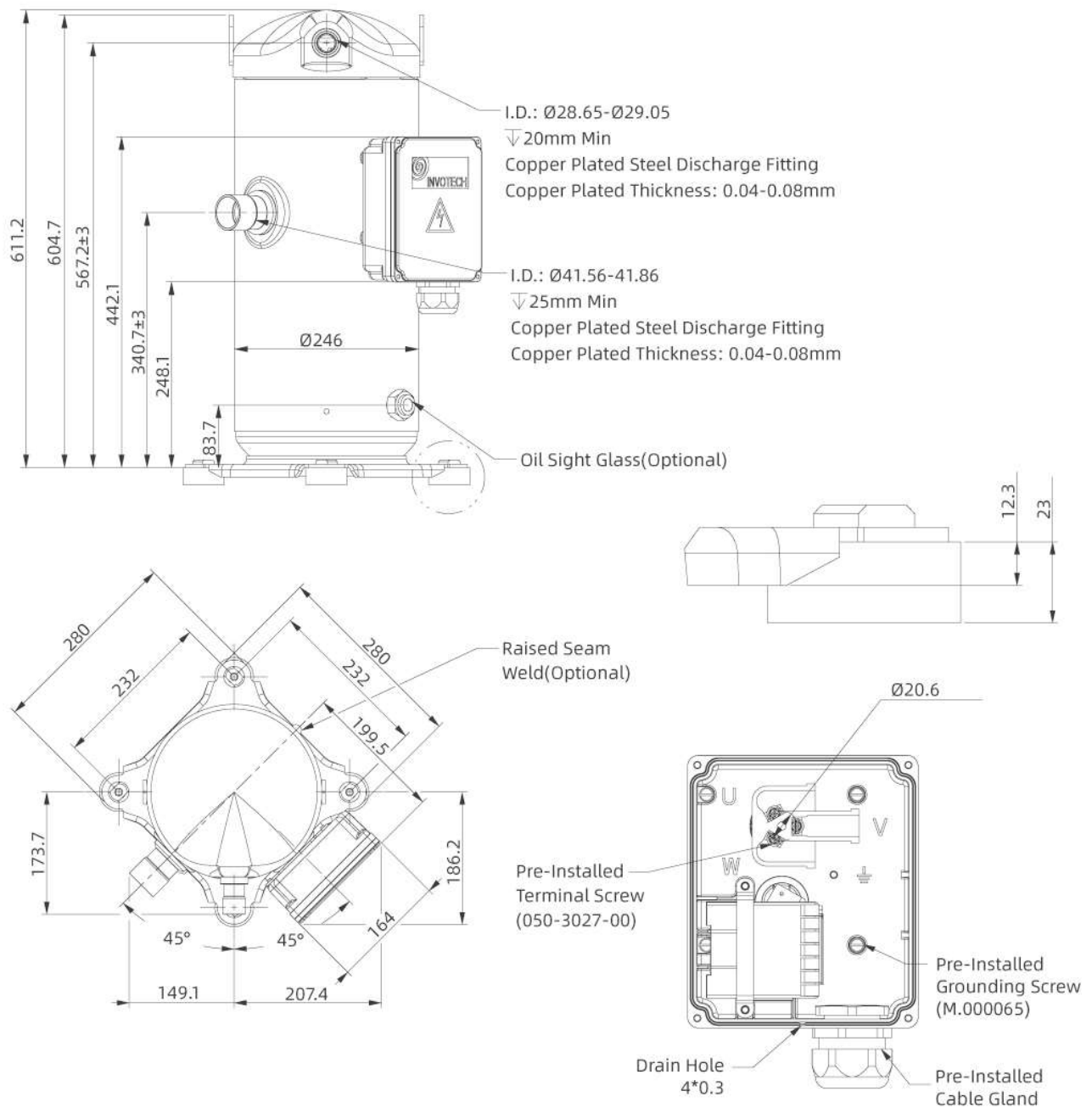
1. All Tolerances Unless Otherwise Specified: ± 2
2. Tube Ends Must Be Plugged



YH Series

Product Dimensions

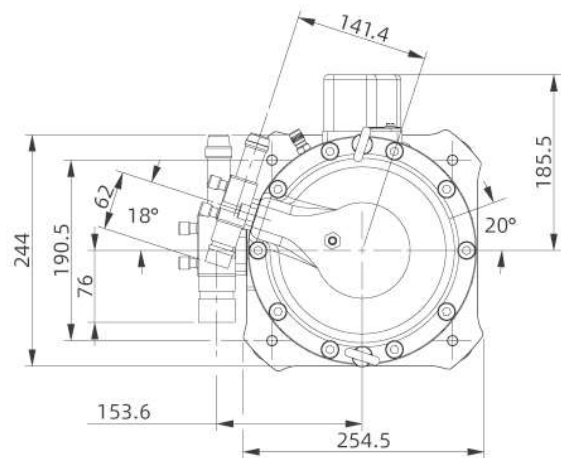
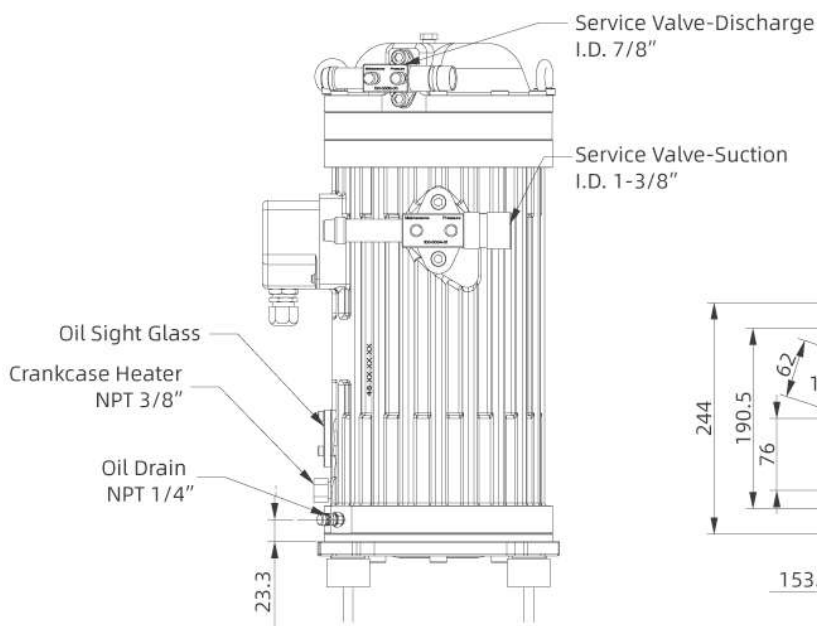
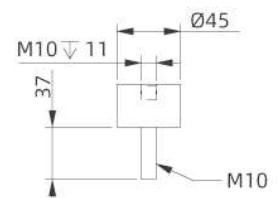
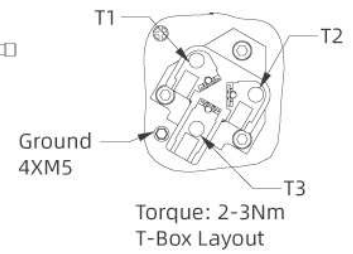
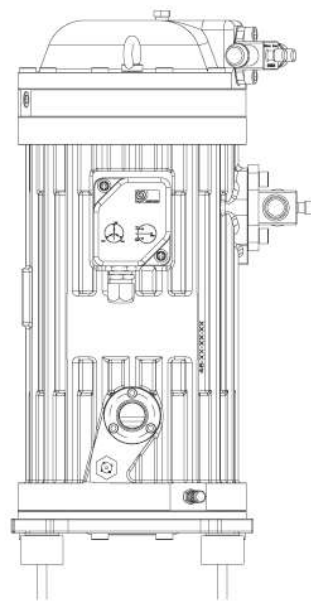
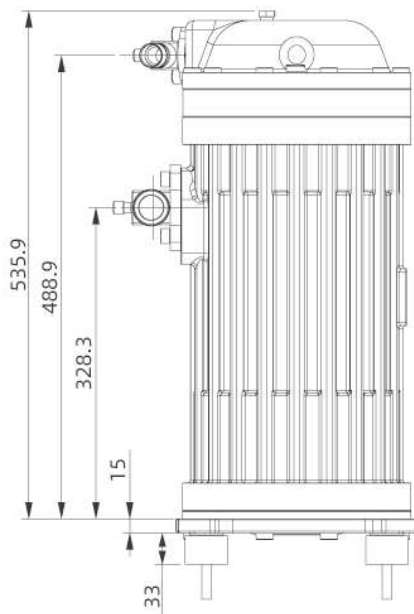
YH450T/YH450A



YSH Series

Product Dimensions

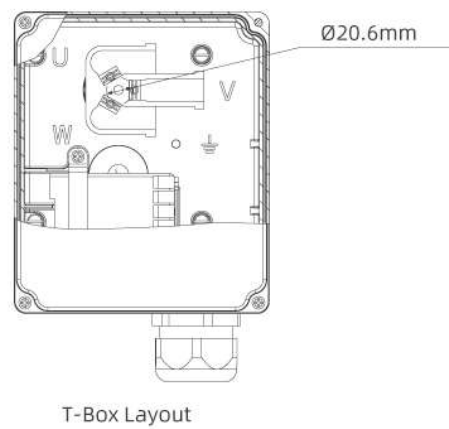
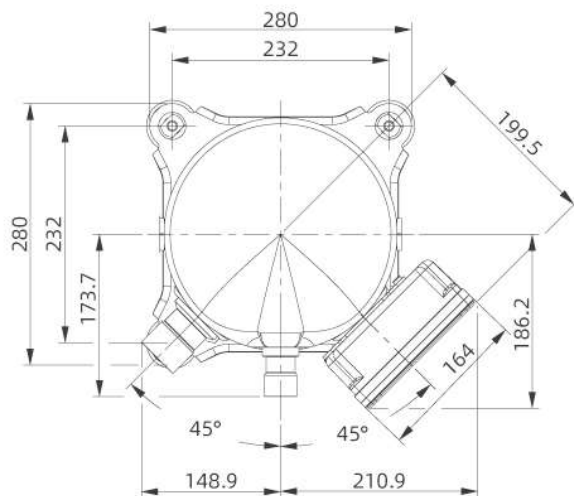
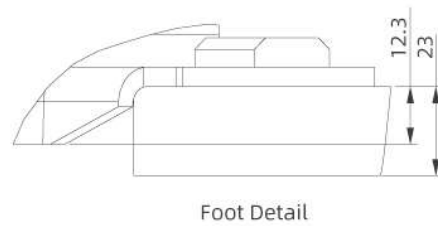
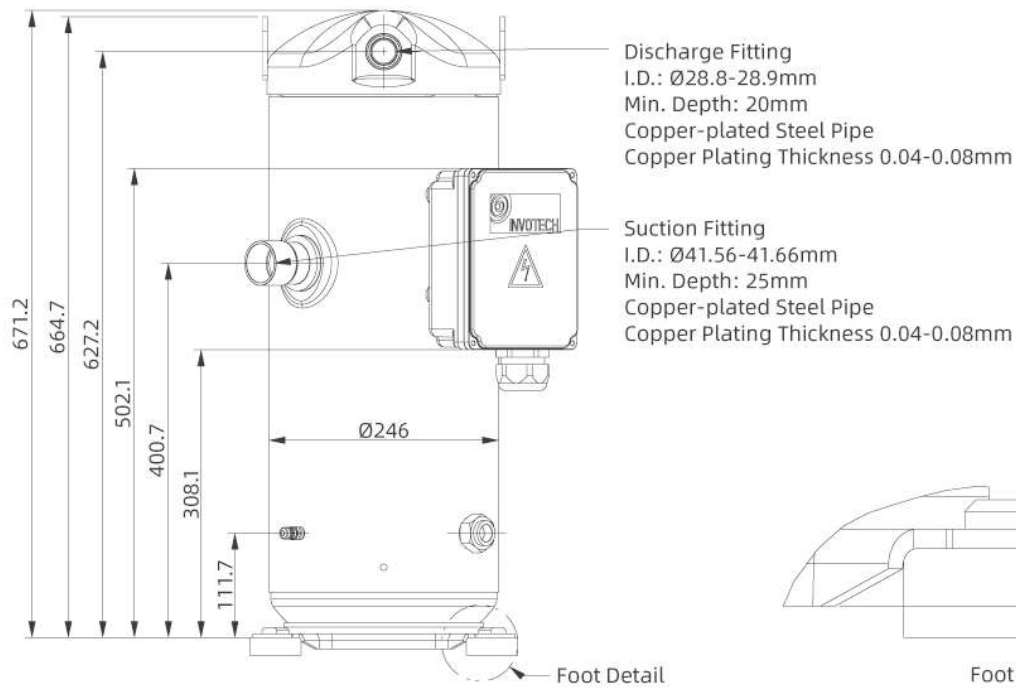
13/15 HP Semi-Hermetic



YH Series

Product Dimensions

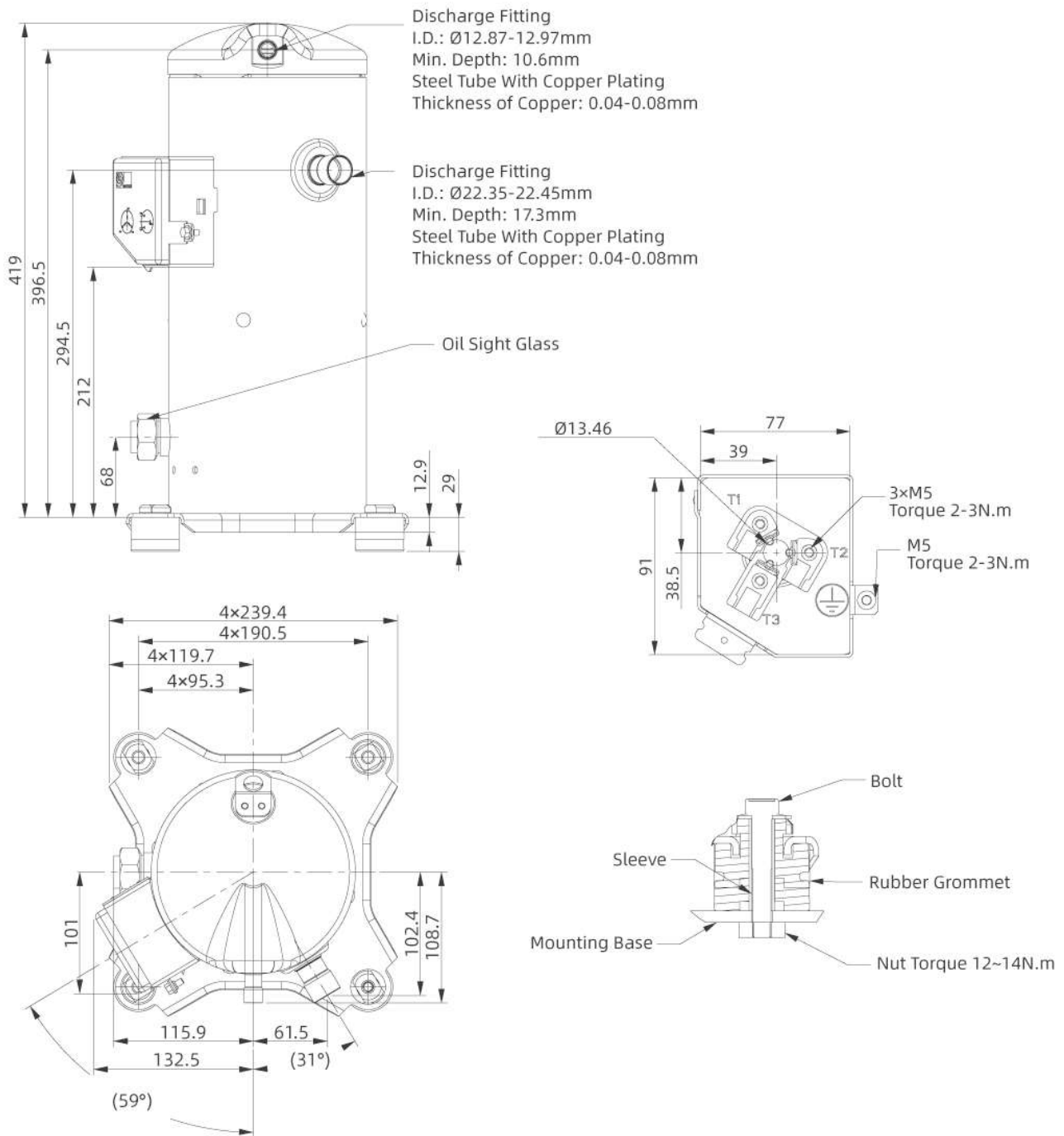
20-30 HP



YIH Series

Product Dimensions

YIH38-72





Souzhou Invotech Scroll Technologies Co., Ltd.

No. 5, Yintong Road, Changshu City, Jiangsu Province, P.R. China

Email: scroll@invotech.cn

www.invotech.cn

YA/YH/YSH/YHZ/YIH_202409

Every effort has been made to provide accurate description and data. However, due to continuing process of product improvement and evolution, all information in this brochure is subject to change without notification.