



**INVOTECH**  
YM/YSM/YMZ/YIM Series  
Scroll Compressors

**Special Design For  
Medium Temperature  
Application**

**50Hz**





## **Suzhou Invotech Scroll Technologies Co., Ltd.**

is a high-tech company.

Our company is founded by a group of engineers who formerly worked for the world's largest manufacturer of scroll compressors. We are a team of passionate and highly qualified professionals with more than 25 years of experience in this industry. Our company's products in addition to impressive sales performance in the domestic market, also sales to Asia, Africa, Europe, South America, North America and other more than 40 countries and regions.

Our company provides specialized scroll compressors and related technical consulting services for heat pump water heaters, refrigeration and air conditioning, chillers and other applications. We are willing to provide our customers with jointly developed or Turn-Key solutions to meet their needs.

Our mission: To become a leading global provider of climate and energy solutions, building an energy-saving and low-carbon ecological environment together!

For more information please visit:

**[www.invotech.cn](http://www.invotech.cn)**



---

<i>Product Features</i>	1
-------------------------	---

---

<i>Models / Operating Envelope</i>	4
------------------------------------	---

---

<i>Nomenclature</i>	6
---------------------	---

---

*Technical Specifications*

YM	R290	7
YM	R454C	8
YM	R455A	9
YM/YMZ/YSM	R404A	10
YM	R448A R449A	13
YM	R452A	14
YIM	R404A	15

---

*Capacity*

YM	R290	16
YM	R454C	17
YM	R455A	18
YM/YMZ/YSM	R404A	19
YM	R448A R449A	24
YM	R452A	26
YIM	R404A	28

---

<i>Dimensions</i>	30
-------------------	----

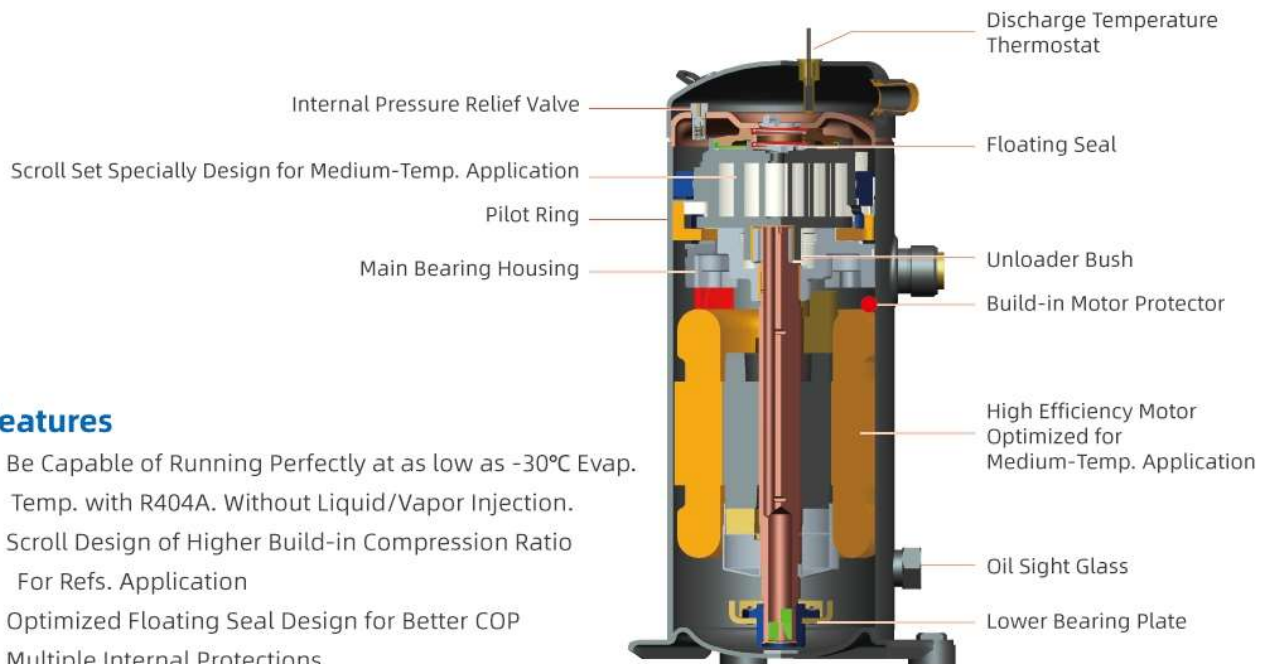
# YM Series

## Scroll Compressors With Dual-Compliance For Medium Temperature Application

- Specific Design For Refs. Application, Not Only The Scroll Set But Also The Unit, Precise Product-Definition Based On Customer's Need
- Both Build-in Radius and Axial Compliance Design, Improved Floating Seal Design for Better Energy Efficiency
- Excellent Discharge Temperature Management to Stretch Operation Envelope
- Accurate Calculation of Load and Sealing Force for Running Sound Optimization
- High Efficiency Motor Design

### Features

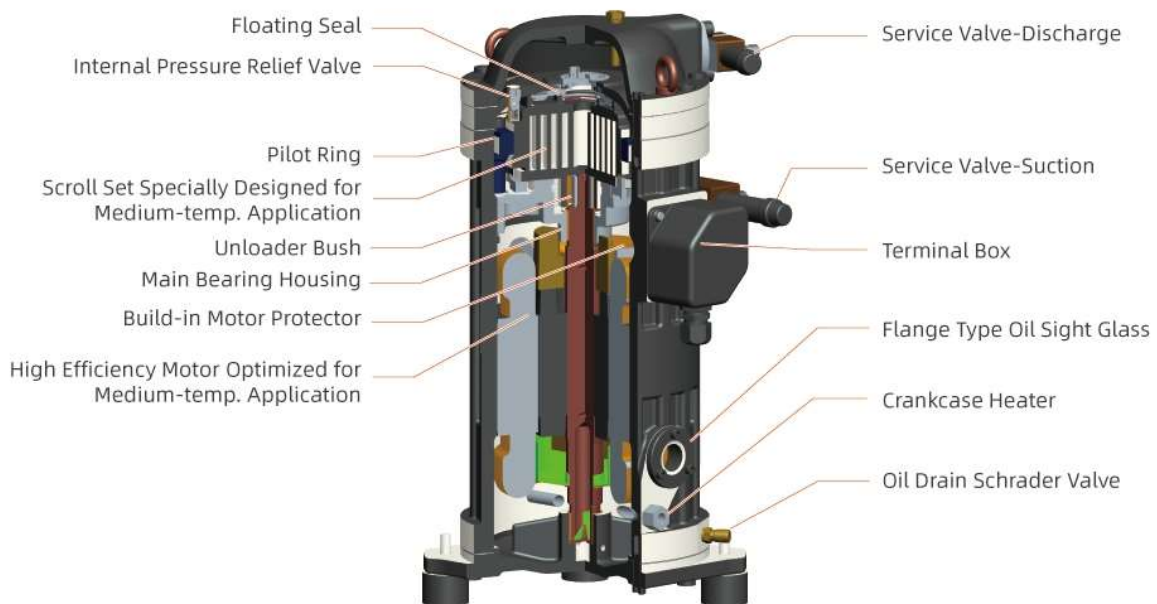
- Be Capable of Running Perfectly at as low as  $-30^{\circ}\text{C}$  Evap. Temp. with R404A. Without Liquid/Vapor Injection.
- Scroll Design of Higher Build-in Compression Ratio For Refs. Application
- Optimized Floating Seal Design for Better COP
- Multiple Internal Protections
  - High Pressure Protection
  - Overload Protection



# YSM Series

## Semi-Hermetic Scroll Compressors With Dual-Compliance For Medium Temperature Application

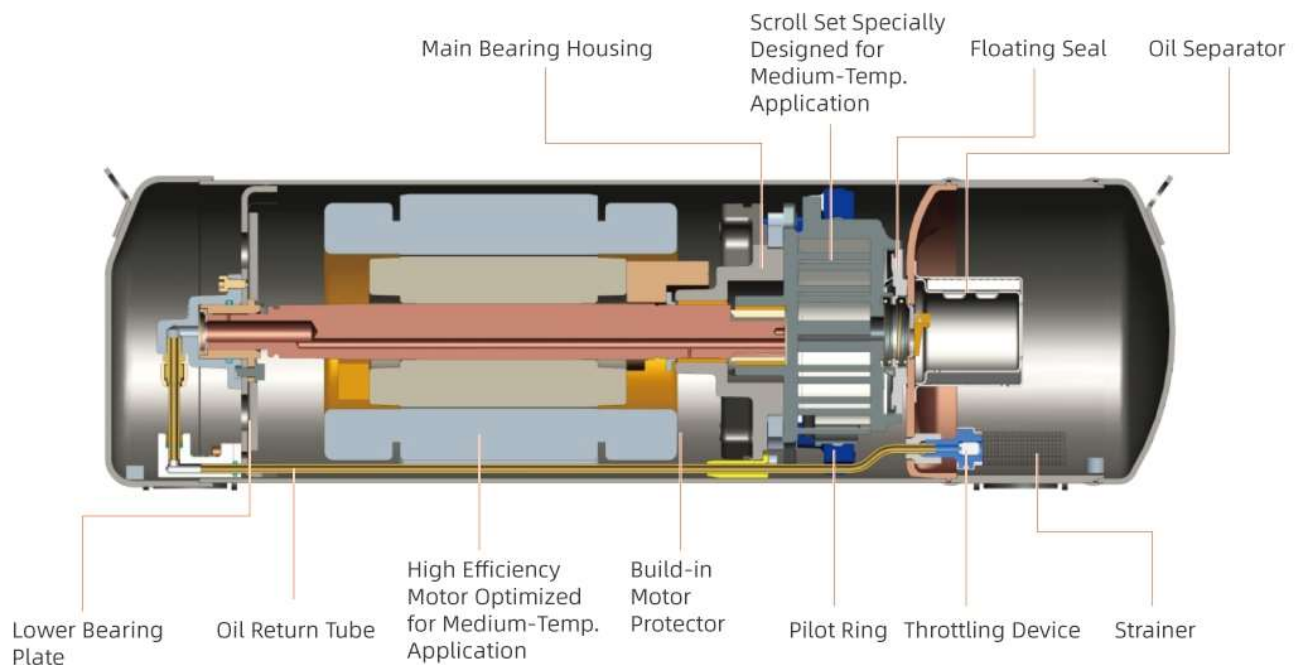
- Specific Design For Refs. Application, Not Only The Scroll Set But Also The Unit, Precise Product-Definition Based On Customer's Need
- Both Build-in Radius and Axial Compliance Design, Improved Floating Seal Design for Better Energy Efficiency
- Excellent Discharge Temperature Management to Stretch Operation Envelope
- Accurate Calculation of Load and Sealing Force for Running Sound Optimization
- High Efficiency Motor Design
- Repairable



# YMZ Series

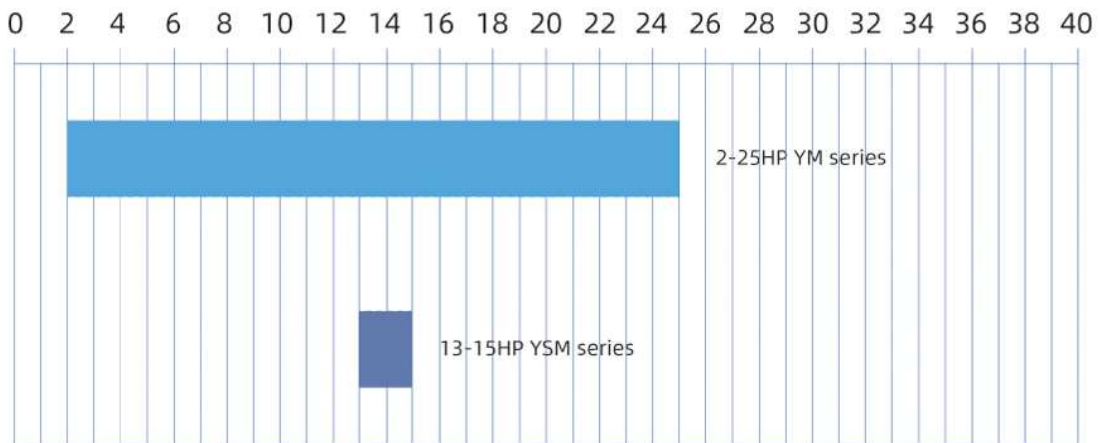
## Horizontal Type Scroll Compressors With Dual-Compliance For Medium Temperature Application

- Specific Design For Refs. Application, Not Only The Scroll Set But Also The Unit, Precise Product-Definition Based On Customer's Need
- Both Build-in Radius and Axial Compliance Design, Improved Floating Seal Design for Better Energy Efficiency
- Excellent Discharge Temperature Management to Stretch Operation Envelope
- Accurate Calculation of Load and Sealing Force for Running Sound Optimization
- Compact Design for Limited Space

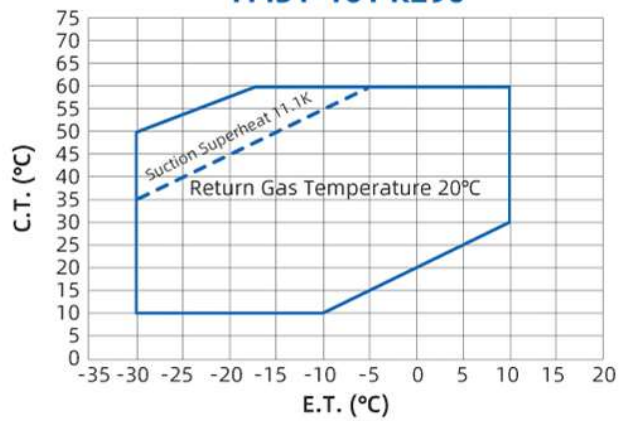


# YM/YSM Series

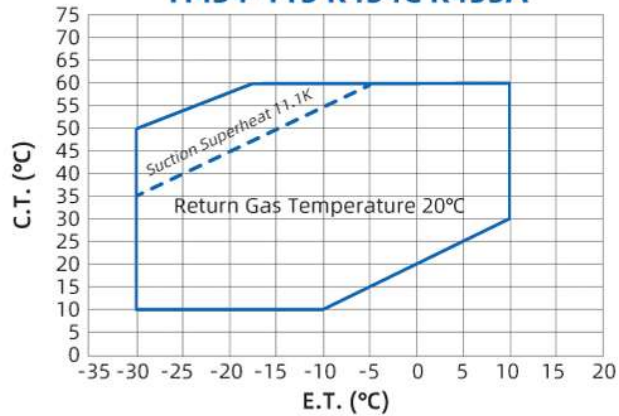
## Models / Operating Envelope



### YM31-101 R290



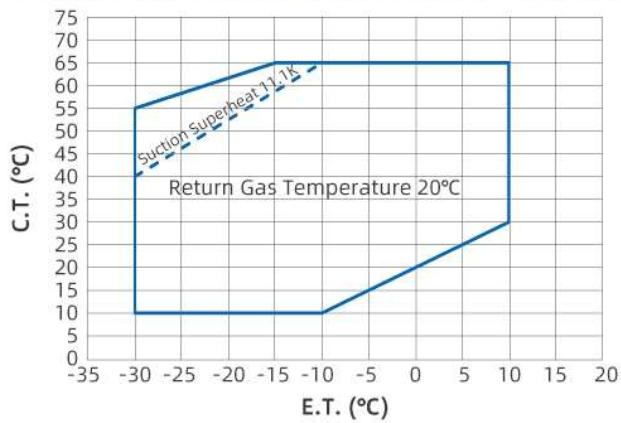
### YM34-115 R454C R455A



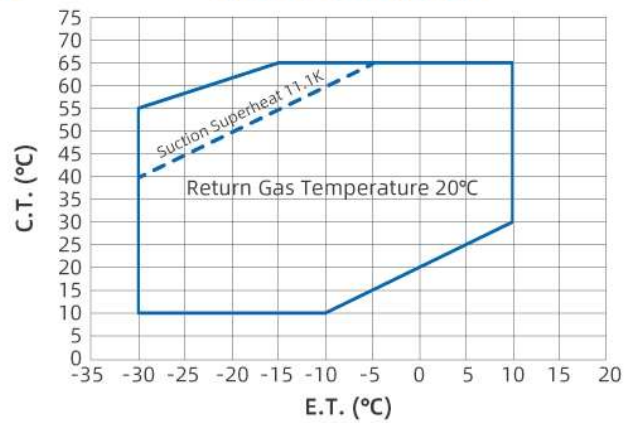
# YM/YIM Series

## Models / Operating Envelope

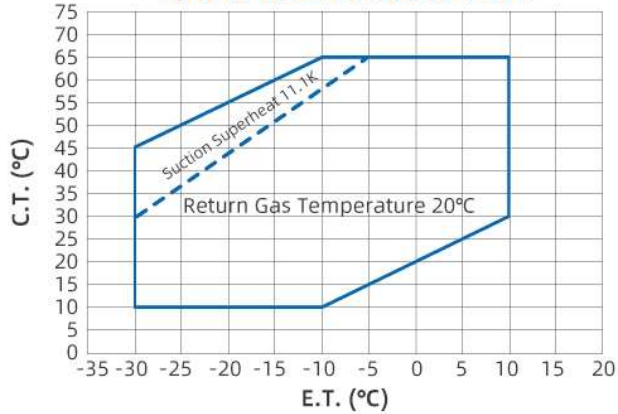
**YM34-260/YMZ46-110/YSM235-260 R404A**



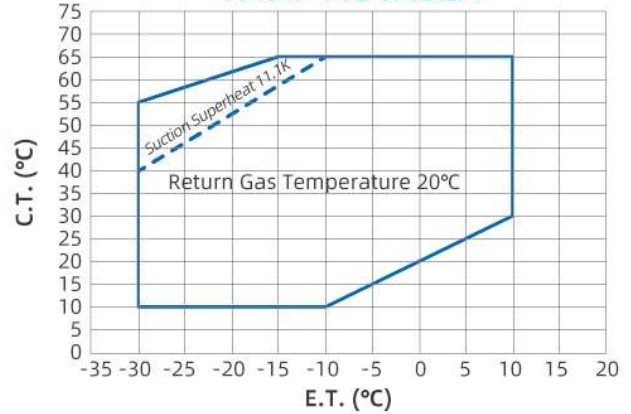
**YM350-410 R404A**



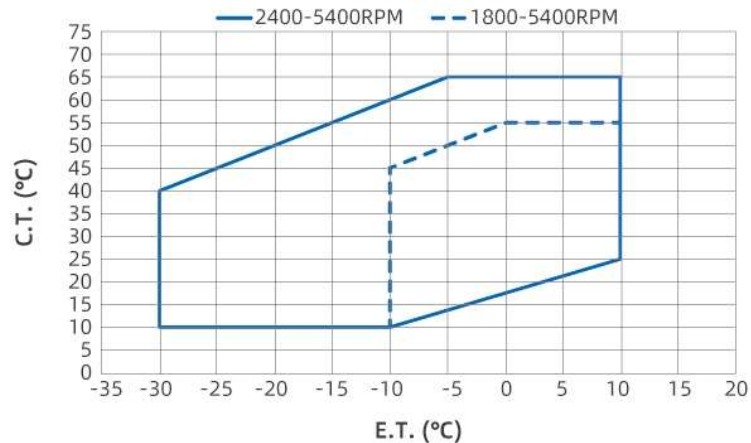
**YM34-115 R448A R449A**



**YM34-115 R452A**

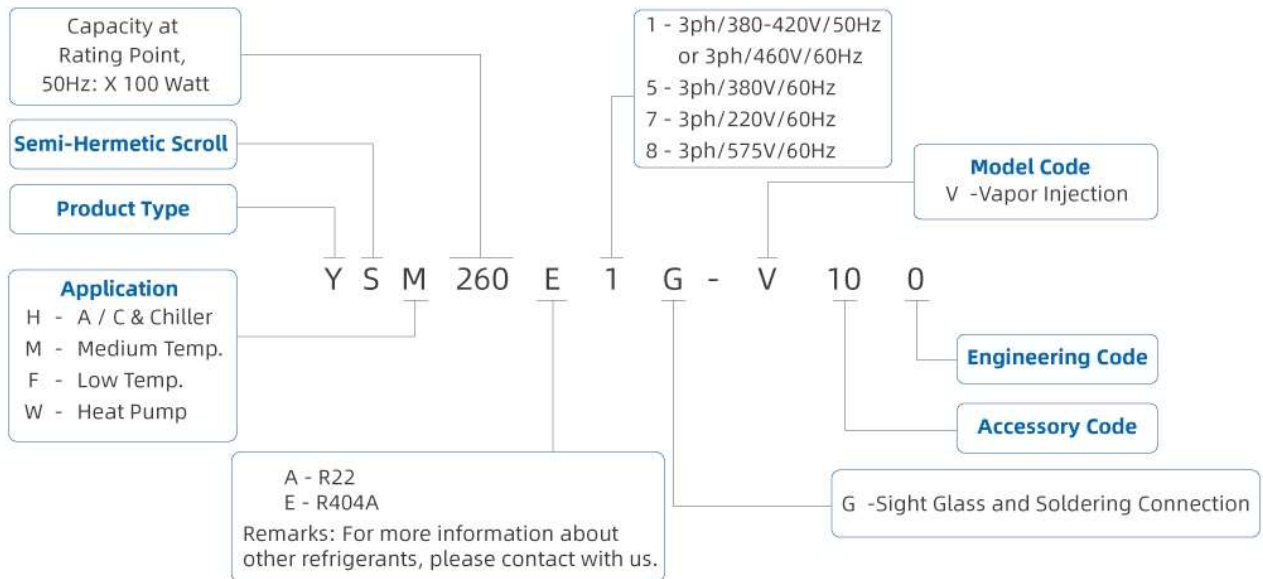
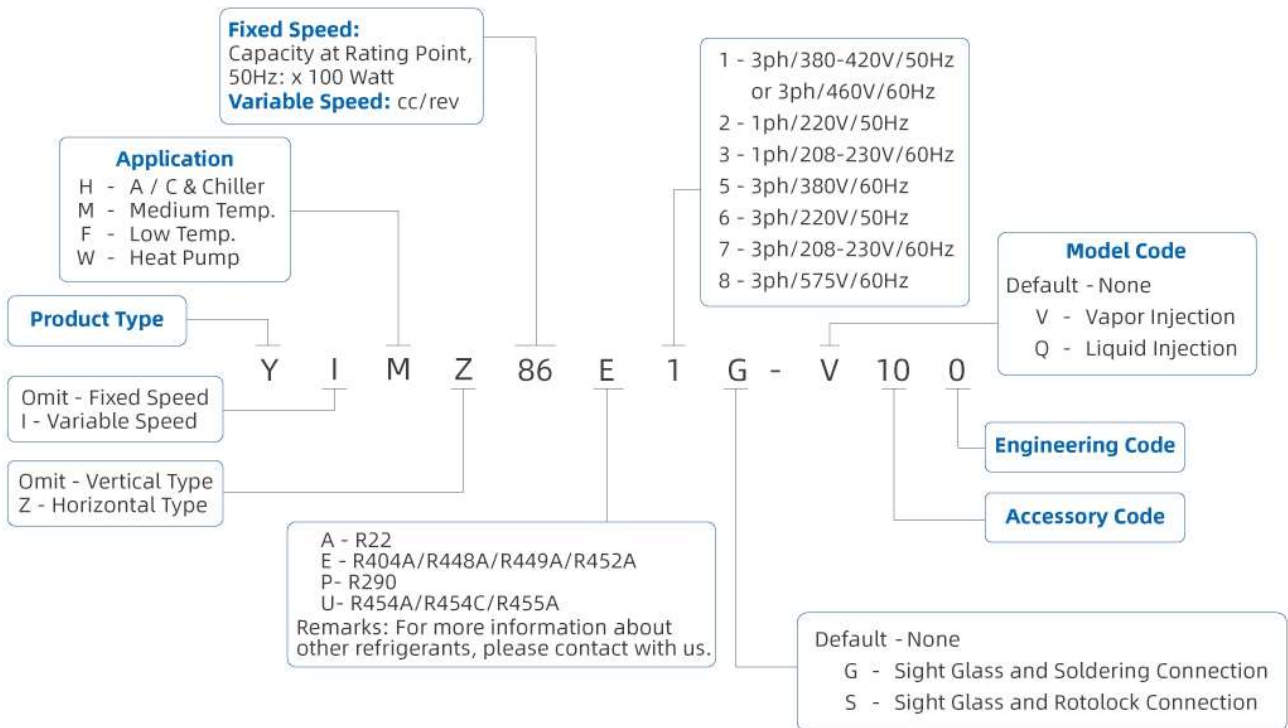


**YIM38-72 R404A**



# YM/YSM/YMZ/YIM Series

## Nomenclature



# YM Series

## Specifications

# 50Hz

# R290

Model	YM31P1 -100	YM37P1 -100	YM42P1 -100	YM52P1 -100	YM60P1 -100	YM73P1 -100	YM90P1 -100	YM101P1 -100
Electricity	380-420V/3~/50Hz							
Power in Horse Power (HP)	2	2.5	3	3.5	4	5	6	7
Displacement (cc/rev)	33.3	42	46.6	58	67.8	83.3	98.3	108
Refrigerant	R290							
Cooling Capacity (W)	3049	3726	4203	5389	6215	7714	8965	10019
Power in Watt (W)	1590	1820	2049	2477	2851	3412	3978	4303
COP (W/W)	1.92	2.05	2.05	2.18	2.18	2.26	2.25	2.33
Running current (A)	2.8	3.3	3.6	5.0	5.5	6.5	7.3	7.7
LRA (A)	22	22	22	45	45	60	60	60
MOC (A)	4.0	4.5	5.0	6.6	7	8.3	9.7	10.8
Crankcase Heater (W)	70							
Fitting Dimensions (mm)								
Discharge Tube(ID)	12.87-12.97							
Suction Tube(ID)	22.35-22.45							
Product Dimensions (mm)								
Length (L)	239							
Width (W)	239							
Height (H)	418							
Feet Dimensions (hole)	190.5x190.5(8.8)							
Oil Type	PAG							
Initial Charge Volume (L)	1.4			1.6				
Recharge Volume (L)	1.25			1.45				
Max Pressure (MPa)								
High Side	2.1							
Low Side	1.7							
Weight (kg)	29	30	30	31	31	31	33	38

E.T. -6.7°C, C.T. 48.9°C, R.G. 4.4°C, No Subcooling

# YM Series

## Specifications

# 50Hz R454C

Model	YM34U1G -100	YM43U1G -100	YM49U1G -100	YM60U1G -100	YM70U1G -100	YM86U1G -100	YM102U1G -100	YM115U1G -100
Electricity	380-420V/3~/50Hz							
Power in Horse Power (HP)	2	2.5	3	3.5	4	5	6	7
Displacement (cc/rev)	33.3	42	46.6	58	67.8	83.3	98.3	108
Refrigerant	R454C							
Cooling Capacity (W)	3203	4016	4437	5584	6524	7880	9300	10220
Power in Watt (W)	1573	1930	2094	2570	2924	3530	4110	4520
COP (W/W)	2.04	2.08	2.12	2.17	2.23	2.23	2.26	2.26
Running current (A)	3	3.9	4.5	5.4	6.2	7.4	8.2	8.9
LRA (A)	22	45	45	60	60	60	65	85
MOC (A)	4.1	5	5.6	6.7	7.6	9.2	10.7	11.8
Crankcase Heater (W)	70							
Fitting Dimensions (mm)								
Discharge Tube(ID)	12.87-12.97							
Suction Tube(ID)	22.35-22.45							
Product Dimensions (mm)								
Length (L)	239							
Width (W)	239							
Height (H)	418						463	
Feet Dimensions (hole)	190.5x190.5(8.8)							
Oil Type	POE							
Initial Charge Volume (L)	1.4						1.6	
Recharge Volume (L)	1.25						1.45	
Max Pressure (MPa)								
High Side	2.5							
Low Side	1.9							
Weight (kg)	29	30	30	31	31	31	33	38

E.T. -6.7°C, C.T. 48.9°C, R.G. 4.4°C, No Subcooling

# YM Series

## Specifications

# 50Hz

# R455A

Model	YM34U1G -100	YM43U1G -100	YM49U1G -100	YM60U1G -100	YM70U1G -100	YM86U1G -100	YM102U1G -100	YM115U1G -100
Electricity	380-420V/3~/50Hz							
Power in Horse Power (HP)	2	2.5	3	3.5	4	5	6	7
Displacement (cc/rev)	33.3	42	46.6	58	67.8	83.3	98.3	108
Refrigerant	R455A							
Cooling Capacity (W)	3421	4351	4795	5985	7032	8641	10190	11071
Power in Watt (W)	1698	2128	2298	2794	3186	3803	4430	4825
COP (W/W)	2.01	2.05	2.09	2.14	2.2	2.27	2.3	2.3
Running current (A)	3.3	4.1	4.5	5.4	6.2	7.4	8.6	9.4
LRA (A)	22	45	45	60	60	60	65	85
MOC (A)	4.4	5.6	6.0	7.3	8.3	9.9	11.6	12.6
Crankcase Heater (W)	70							
Fitting Dimensions (mm)								
Discharge Tube(ID)	12.87-12.97							
Suction Tube(ID)	22.35-22.45							
Product Dimensions (mm)								
Length (L)	239							
Width (W)	239							
Height (H)	418						463	
Feet Dimensions (hole)	190.5x190.5(8.8)							
Oil Type	POE							
Initial Charge Volume (L)	1.4						1.6	
Recharge Volume (L)	1.25						1.45	
Max Pressure (MPa)								
High Side	2.5							
Low Side	1.9							
Weight (kg)	29	30	30	31	31	31	33	38

E.T. -6.7°C, C.T. 48.9°C, R.G. 4.4°C, No Subcooling

# YM Series

## Specifications

# 50Hz

# R404A

Model	YM34E 2G-102	YM43E 2G-102	YM49E 2G-102	YM60E 2G-100	YM70E 2G-100	YM86E 2G-100	YM34E 1G-100	YM43E 1G-100	YM49E 1G-100	YM60E 1G-100	YM70E 1G-100	YM86E 1G-100
Electricity	220V/1~/50Hz						380-420V/3~/50Hz					
Power in Horse Power (HP)	2	2.5	3	3.5	4	5	2	2.5	3	3.5	4	5
Displacement (cc/rev)	33.3	42	46.6	58	67.8	83.3	33.3	42	46.6	58	67.8	83.3
Refrigerant	R404A											
Cooling Capacity (W)	3560	4250	4840	6100	6920	8500	3560	4250	4840	6100	6920	8500
Power in Watt (W)	2070	2361	2689	3220	3601	4427	2034	2297	2547	3220	3530	4250
COP (W/W)	1.72	1.76	1.8	1.89	1.92	1.92	1.75	1.85	1.9	1.89	1.96	2
Running Current (A)	9.4	11.2	12.7	14.6	16.9	21.2	3.5	4.8	5.1	6.5	7	8
LRA (A)	76	76	76	109	109	140	22	45	45	60	60	60
MOC (A)	16.2	17.2	19	24.5	28.1	33.4	5.2	6.4	6.9	8.5	10.3	12.2
Crankcase Heater (W)	70											
Fitting Dimensions (mm)												
Discharge Tube (ID)	12.87-12.97											
Suction Tube(ID)	22.35-22.45											
Product Dimensions (mm)												
Length (L)	239											
Width (W)	239											
Height (H)	418					463	418					463
Feet Dimensions (Hole)	190.5×190.5(8.8)											
Oil Type	POE											
Initial Charge Volume (L)	1.4											1.6
Recharge Volume (L)	1.25											1.45
Max Pressure (MPa)												
High Side	3.2											
Low Side	2											
Weight (kg)	31	31	31	33	33	38	29	30	30	31	31	32

E.T. -6.7°C, C.T. 48.9°C, R.G. 4.4°C, No Subcooling

# YM/YMZ Series

## 50Hz

### Specifications

## R404A

Model	YM102E 1G-100	YM115E 1G-100	YMZ46 E1-100	YMZ83 E1-100	YMZ110 E1-100	YM125E 1G-100	YM132E 1G-100	YM158E 1G-100	YM182E 1G-100
Electricity	380-420V/3~/50Hz								
Power in Horse Power (HP)	6	7	3	5	7	7.5	8	9	10
Displacement (cc/rev)	98.3	108	46.6	83	108	115.5	123	145.4	167.2
Refrigerant	R404A								
Cooling Capacity (W)	10100	11328	4484	8200	11043	12240	12893	15842	17856
Power in Watt (W)	5050	5600	2487	4320	5768	6120	6447	7921	8928
COP (W/W)	2	2.02	1.80	1.90	1.91	2	2	2	2
Running current (A)	9.4	11.2	5.1	7.9	10.8	11.8	12.1	13.6	15.5
LRA (A)	65	85	45	60	85	117	117	117	121
MOC (A)	14.3	17.1	6.9	13.1	17.1	17.3	18.4	21	23.6
Crankcase Heater (W)	70					90			
Fitting Dimensions (mm)									
Discharge Tube(ID)	12.87-12.97					22.35-22.45			
Suction Tube(ID)	22.35-22.45					28.83-28.93			
Product Dimensions (mm)									
Length (L)	239		558.5		603.5		272		
Width (W)	239		285			248			
Height (H)	463		174			506.7			
Feet Dimensions (Hole)	190.5×190.5(8.8)		220×280(8.8)			190.5×190.5(8.8)			
Oil Type	POE								
Initial Charge Volume (L)	1.6		1.4		1.6		2.7		3
Recharge Volume (L)	1.45		1.25		1.45		2.55		2.85
Max Pressure (MPa)									
High Side						3.2			
Low Side						2			
Weight (kg)	33	38	33	34	40	53	53	53	54

E.T. -6.7°C, C.T. 48.9°C, R.G. 4.4°C, No Subcooling

# YM/YSM Series

## Specifications

# 50Hz R404A

Model	YM200E 1G-100	YM210E 1G-100	YM240E 1G-105	YSM235E 1G-100	YSM260E 1G-100	YM260E 1G-100	YM280E 1G-100	YM350E 1G-100	YM410E 1G-100
Electricity	380-420V/3~/50Hz								
Power in Horse Power (HP)	12	13	14	14	15	15	16	22	25
Displacement (cc/rev)	189.1	197.1	210	216.7	244.3	246	265.5	332.6	392
Refrigerant	R404A								
Cooling Capacity (W)	19536	20544	22600	23218	25688	25000	28300	33300	39200
Power in Watt (W)	9671	10170	11600	11900	13150	12700	14100	16650	19400
COP (W/W)	2.02	2.02	1.95	1.95	1.95	1.97	2.01	2	2.02
Running current (A)	16.3	16.9	20.6	21.5	23	22.8	26.4	29.4	34.5
LRA (A)	121	121	148.5	148.5	148.5	170	216	205	266
MOC (A)	26.5	27.6	31	28.9	32.8	32	40.3	41	51
Crankcase Heater (W)	90		75			120			
Fitting Dimensions (mm)									
Discharge Tube(ID)	22.35-22.45			22.50-22.60		28.65-29.05	28.80-28.90		
Suction Tube(ID)	28.83-28.93			35.20-35.30		41.56-41.86	41.56-41.66		
Product Dimensions (mm)									
Length (L)	272			318		350.9			
Width (W)	248			308		326.2			
Height (H)	506.7		556.7	584		611.2	676.7		
Feet Dimensions (Hole)	190.5×190.5(8.8)			190.5×190.5(10.2)		232×232(8.8)			
Oil Type	POE								
Initial Charge Volume (L)	3		3.7	3.4		4.2	5.5		
Recharge Volume (L)	2.85		3.5	3.25		4	5.3		
Max Pressure (MPa)									
High Side	3.2								
Low Side	2								
Weight (kg)	54	54	57	90	90	95	100	100	104

E.T. -6.7°C, C.T. 48.9°C, R.G. 4.4°C, No Subcooling

# YM Series

## Specifications

# 50Hz

# R448A R449A

Model	YM34E 2G-102	YM43E 2G-102	YM49E 2G-102	YM60E 2G-100	YM70E 2G-100	YM86E 2G-100	YM34E 1G-100	YM43E 1G-100	YM49E 1G-100	YM60E 1G-100	YM70E 1G-100	YM86E 1G-100	YM102E 1G-100	YM115E 1G-100	
Electricity	220V/1~/50Hz						380-420V/3~/50Hz								
Power in Horse Power (HP)	2	2.5	3	3.5	4	5	2	2.5	3	3.5	4	5	6	7	
Displacement (cc/rev)	33.3	42	46.6	58	67.8	83.3	33.3	42	46.6	58	67.8	83.3	98.3	108	
Refrigerant	R448A R449A														
Cooling Capacity (W)	3694	4410	5022	6329	7343	9020	3687	4401	5012	6317	7343	9020	10718	12021	
Power in Watt (W)	1815	2166	2287	2954	3376	4150	1858	2098	2326	2941	3045	4100	4872	5464	
COP (W/W)	2.04	2.04	2.2	2.14	2.18	2.17	1.98	2.1	2.15	2.15	2.16	2.2	2.2	2.2	
Running Current (A)	8.3	9.9	10.5	13.6	15.5	19	3.7	4.1	4.6	5.8	6.3	7.6	9	10.1	
LRA (A)	76	76	76	109	109	140	22	45	45	60	60	60	65	85	
MOC (A)	13.8	16.5	17.4	22.5	27.2	33.5	5.4	6.1	6.8	8.6	10.4	12.5	14.9	15.8	
Crankcase Heater (W)	70														
Fitting Dimensions (mm)															
Discharge Tube (ID)	12.87-12.97														
Suction Tube(ID)	22.35-22.45														
Product Dimensions (mm)															
Length (L)	239														
Width (W)	239														
Height (H)	418					463	418					463			
Feet Dimensions (Hole)	190.5x190.5(8.8)														
Oil Type	POE														
Initial Charge Volume (L)	1.4											1.6			
Recharge Volume (L)	1.25											1.45			
Max Pressure (MPa)															
High Side	3.2														
Low Side	2														
Weight (kg)	31	31	31	33	33	38	29	30	30	31	31	32	33	38	

E.T. -6.7°C, C.T. 48.9°C, R.G. 4.4°C, No Subcooling

# YM Series

## Specifications

# 50Hz

# R452A

Model	YM34E 2G-102	YM43E 2G-102	YM49E 2G-102	YM60E 2G-100	YM70E 2G-100	YM86E 2G-100	YM34E 1G-100	YM43E 1G-100	YM49E 1G-100	YM60E 1G-100	YM70E 1G-100	YM86E 1G-100	YM102E 1G-100	YM115E 1G-100	
Electricity	220V/1~/50Hz						380-420V/3~/50Hz								
Power in Horse Power (HP)	2	2.5	3	3.5	4	5	2	2.5	3	3.5	4	5	6	7	
Displacement (cc/rev)	33.3	42	46.6	58	67.8	83.3	33.3	42	46.6	58	67.8	83.3	98.3	108	
Refrigerant	R452A														
Cooling Capacity (W)	3560	4250	4840	6100	6920	8500	3560	4250	4840	6100	6920	8500	10100	11328	
Power in Watt (W)	1978	2361	2493	3220	3601	4427	2034	2297	2547	3220	3530	4250	5050	5100	
COP (W/W)	1.8	1.76	1.94	1.89	1.92	1.92	1.75	1.85	1.9	1.89	1.96	2	2	2.22	
Running Current (A)	9.4	11.2	11.5	14.6	16.9	21.2	3.5	4.8	5.1	6.5	7	8	9.4	11.2	
LRA (A)	76	76	76	109	109	140	22	45	45	60	60	60	65	85	
MOC (A)	16.2	17.2	19	24.5	28.1	33.4	5.2	6.4	6.9	8.5	10.3	12.2	14.3	17.1	
Crankcase Heater (W)	70														
Fitting Dimensions (mm)															
Discharge Tube (ID)	12.87-12.97														
Suction Tube(ID)	22.35-22.45														
Product Dimensions (mm)															
Length (L)	239														
Width (W)	239														
Height (H)	418					463	418					463			
Feet Dimensions (Hole)	190.5x190.5(8.8)														
Oil Type	POE														
Initial Charge Volume (L)	1.4											1.6			
Recharge Volume (L)	1.25											1.45			
Max Pressure (MPa)															
High Side	3.2														
Low Side	2														
Weight (kg)	31	31	31	33	33	38	29	30	30	31	31	32	33	38	

E.T. -6.7°C, C.T. 48.9°C, R.G. 4.4°C, No Subcooling

# YIM Series

## Specifications

# Variable Speed

# R404A

Model	YIM38E2G -100	YIM50E2G -100	YIM60E2G -100	YIM38E1G -100	YIM42E1G -100	YIM50E1G -100	YIM60E1G -100	YIM72E1G -100
Power Input to Inverter Driver	220V/1~/50Hz			380-420V/3~/50Hz or 60Hz				
Displacement (cc/rev)	38	50	60	38	42	50	60	72
Refrigerant	R404A							
Cooling Capacity (W)	6180	8254	9639	6240	6742	8480	9680	11500
Power in Watt (W)	3400	4410	5050	3375	3647	4300	4920	5910
COP (W/W)	1.82	1.87	1.91	1.85	1.85	1.97	1.97	1.95
Running current (A)	5.3	18.3	21.7	5.3	5.8	7.2	8.5	11.2
MOC (A)	24.9	24.9	24.9	10	11	12.5	15	20
Rated Motor Speed (RPM)	4500							
Running Speed (RPM)	1800-5400							
Crankcase Heater (W)	70							
Fitting Dimensions (mm)								
Discharge Tube(ID)	12.87-12.97							
Suction Tube(ID)	22.35-22.45							
Product Dimensions (mm)								
Length (L)	239							
Width (W)	239							
Height (H)	419							
Feet Dimensions (hole)	190.5×190.5(8.8)							
Oil Type	POE							
Initial Charge Volume (L)	1.4							
Recharge Volume (L)	1.25							
Max Pressure (MPa)								
High Side	3.2							
Low Side	2							
Weight (kg)	27	27	27	29.5	29.5	29.5	29.5	29.5

E.T. -6.7°C, C.T. 48.9°C, R.G. 4.4°C, No Subcooling @4500 RPM

Model	YIM38E2G -100	YIM50E2G -100	YIM60E2G -100	YIM38E1G -100	YIM42E1G -100	YIM50E1G -100	YIM60E1G -100	YIM72E1G -100
Motor Speed (RPM)	1800							
Cooling Capacity (W)	2324	3145	3653	2346	2535	3231	3669	4485
Power in Watt (W)	1438	1821	2081	1428	1543	1776	2027	2494
Motor Speed (RPM)	3600							
Cooling Capacity (W)	4944	6603	7711	4992	5394	6784	7744	9200
Power in Watt (W)	2720	3528	4040	2700	2918	3440	3936	4728
Motor Speed (RPM)	5400							
Cooling Capacity (W)	7472	9872	11470	7544	8151	10142	11519	13651
Power in Watt (W)	4117	5389	6156	4087	4417	5255	5997	7163

E.T. -6.7°C, C.T. 48.9°C, R.G. 4.4°C, No Subcooling @1800 RPM, 3600 RPM & 5400 RPM

# YM Series

## Capacity

50Hz  
R290

Model	C.T. (°C)	E.T. (°C)										
		-30	-25	-20	-15	-10	-5	0	5	10		
YM31P1-100	Capacity (W)	60				1972	2369	2826	3350	3945	4615	
		50	1257	1536	1871	2264	2721	3247	3846	4523	5282	
		40	1422	1736	2111	2552	3065	3652	4321	5074	5918	
	Power (W)	30	1575	1917	2327	2810	3372	4016	4748	5572	6494	
		60				1610	1696	1771	1837	1895	1944	
		50	1170	1258	1337	1407	1470	1526	1576	1621	1661	
	Power (W)	40	1059	1120	1175	1225	1271	1314	1354	1393	1430	
		30	931	972	1010	1046	1082	1118	1154	1193	1233	
		60				2505	3008	3589	4255	5010	5862	
YM37P1-100	Capacity (W)	50	1596	1951	2376	2875	3456	4123	4884	5744	6709	
		40	1806	2205	2681	3242	3892	4639	5487	6444	7515	
		30	2000	2434	2955	3569	4282	5101	6030	7077	8247	
	Power (W)	60				1981	2086	2179	2260	2330	2391	
		50	1439	1547	1644	1731	1808	1877	1938	1993	2043	
		40	1302	1377	1445	1507	1564	1617	1666	1713	1759	
	Power (W)	30	1145	1195	1242	1287	1331	1375	1420	1467	1517	
		60				2805	3369	4020	4765	5611	6565	
		50	1787	2185	2661	3220	3870	4618	5470	6433	7514	
YM42P1-100	Capacity (W)	40	2023	2469	3003	3631	4359	5195	6146	7218	8417	
		30	2240	2726	3310	3997	4796	5713	6754	7926	9236	
		60				2218	2336	2440	2531	2610	2678	
	Power (W)	50	1612	1733	1841	1938	2025	2102	2171	2232	2288	
		40	1458	1542	1619	1688	1752	1811	1866	1919	1970	
		30	1283	1338	1391	1441	1491	1540	1590	1643	1699	
	YM52P1-100	Capacity (W)	60				3590	4311	5144	6097	7180	8400
			50	2287	2796	3405	4120	4952	5909	6999	8231	9614
			40	2589	3160	3842	4645	5578	6647	7864	9235	10770
Power (W)		30	2866	3488	4235	5115	6137	7310	8642	10142	11818	
		60				2641	2781	2905	3013	3107	3188	
		50	1919	2063	2192	2308	2411	2502	2584	2658	2724	
Power (W)		40	1736	1836	1927	2009	2085	2155	2221	2284	2345	
		30	1527	1593	1656	1716	1774	1833	1893	1956	2022	
		60				4124	4953	5910	7005	8249	9650	
YM60P1-100	Capacity (W)	50	2627	3213	3911	4734	5689	6788	8041	9456	11045	
		40	2974	3630	4414	5337	6408	7637	9034	10610	12373	
		30	3293	4007	4865	5876	7050	8398	9928	11651	13577	
	Power (W)	60				2972	3131	3270	3392	3497	3589	
		50	2160	2322	2467	2597	2713	2817	2909	2991	3066	
		40	1954	2067	2169	2262	2347	2426	2500	2571	2640	
	Power (W)	30	1719	1793	1864	1931	1997	2063	2131	2202	2276	
		60				5114	6141	7328	8686	10228	11967	
		50	3258	3984	4850	5870	7055	8418	9971	11726	13696	
YM73P1-100	Capacity (W)	40	3688	4501	5474	6618	7946	9470	11203	13156	15343	
		30	4083	4969	6033	7286	8742	10413	12311	14448	16836	
		60				3656	3851	4022	4172	4302	4414	
	Power (W)	50	2657	2856	3035	3195	3337	3465	3578	3680	3771	
		40	2404	2542	2668	2782	2887	2984	3075	3162	3247	
		30	2114	2206	2292	2375	2457	2538	2621	2708	2800	
	YM90P1-100	Capacity (W)	60				5932	7124	8500	10076	11865	13881
			50	3779	4621	5626	6809	8184	9765	11566	13602	15887
			40	4278	5221	6349	7677	9217	10985	12995	15261	17798
Power (W)		30	4737	5764	6998	8452	10141	12079	14280	16759	19530	
		60				4168	4390	4585	4756	4904	5032	
		50	3029	3256	3460	3642	3805	3950	4079	4195	4299	
Power (W)		40	2740	2898	3041	3172	3291	3402	3506	3605	3701	
		30	2410	2515	2613	2708	2801	2893	2988	3087	3192	
		60				6703	8050	9605	11386	1340	15686	
YM101P1-100	Capacity (W)	50	4270	5222	6357	7694	9247	11034	13069	15370	17952	
		40	4834	5900	7175	8675	10415	12413	14684	17245	20111	
		30	5352	6514	7908	9551	11460	13650	16137	18938	22069	
	Power (W)	60				4668	4916	5135	5327	5493	5636	
		50	3392	3647	3875	4079	4261	4424	4568	4698	4814	
		40	3069	3246	3406	3552	3686	3810	3927	4038	4146	
	Power (W)	30	2700	2816	2927	3033	3137	3241	3347	3458	3575	

Remark:

	Suction Superheat 11.1K, No Subcoolig
	RG 20°C, No Subcooling

# YM Series

## Capacity

# 50Hz

# R454C

Model	C.T. (°C)	E.T. (°C)									
		-30	-25	-20	-15	-10	-5	0	5	10	
YM34U1G-100	Capacity (W)	60				1733	2245	2812	3457	4204	5074
		50	916	1355	1800	2273	2799	3398	4096	4913	5874
		40	1243	1661	2104	2594	3155	3810	4582	5493	6566
	Power (W)	30	1412	1831	2294	2824	3444	4176	5045	6072	7280
		60				2021	2133	2225	2299	2358	2407
		50	1425	1558	1669	1760	1834	1896	1946	1990	2030
		40	1296	1384	1456	1516	1566	1610	1652	1693	1737
30	1153	1208	1255	1297	1337	1377	1422	1474	1536		
YM43U1G-100	Capacity (W)	60				2181	2825	3539	4351	5290	6386
		50	1153	1705	2265	2861	3522	4277	5154	6183	7392
		40	1565	2090	2647	3265	3971	4795	5766	6913	8264
	Power (W)	30	1777	2304	2887	3554	4334	5256	6349	7642	9163
		60				2242	2366	2468	2550	2616	2669
		50	1581	1728	1851	1952	2035	2102	2159	2207	2251
		40	1438	1535	1615	1681	1737	1786	1832	1877	1926
30	1279	1340	1392	1438	1483	1528	1577	1635	1704		
YM49U1G-100	Capacity (W)	60				2432	3150	3946	4852	5899	7121
		50	1286	1901	2526	3190	3927	4769	5747	6894	8242
		40	1745	2331	2952	3640	4428	5347	6430	7708	9214
	Power (W)	30	1982	2569	3219	3963	4832	5861	7079	8521	10217
		60				2420	2554	2663	2752	2823	2881
		50	1706	1866	1998	2107	2196	2269	2330	2383	2430
		40	1552	1657	1743	1814	1875	1928	1977	2026	2079
30	1380	1446	1503	1553	1600	1649	1703	1765	1839		
YM60U1G-100	Capacity (W)	60				3033	3929	4921	6050	7356	8879
		50	1603	2371	3150	3978	4897	5947	7167	8597	10278
		40	2176	2907	3681	4539	5522	6668	8018	9612	11490
	Power (W)	30	2471	3204	4014	4941	6026	7308	8828	10625	12740
		60				3048	3217	3355	3467	3557	3630
		50	2150	2350	2517	2654	2767	2859	2936	3001	3061
		40	1955	2087	2196	2286	2362	2429	2491	2553	2619
30	1739	1822	1893	1956	2016	2077	2145	2223	2317		
YM70U1G-100	Capacity (W)	60				3544	4590	5749	7068	8595	10374
		50	1873	2770	3680	4648	5722	6948	8373	10045	12008
		40	2542	3396	4301	5304	6451	7790	9368	11230	13425
	Power (W)	30	2887	3743	4690	5773	7040	8538	10314	12414	14885
		60				3468	3660	3818	3945	4047	4130
		50	2446	2674	2863	3020	3148	3253	3340	3415	3483
		40	2225	2375	2498	2601	2687	2763	2834	2904	2980
30	1978	2073	2154	2225	2294	2364	2440	2529	2636		
YM86U1G-100	Capacity (W)	60				4280	5544	6944	8537	10381	12530
		50	2262	3346	4444	5614	6911	8392	10114	12132	14504
		40	3071	4102	5195	6406	7792	9409	11315	13564	16215
	Power (W)	30	3487	4521	5664	6973	8504	10313	12458	14994	17978
		60				4187	4419	4609	4762	4886	4986
		50	2953	3228	3457	3645	3800	3927	4032	4123	4204
		40	2686	2867	3016	3140	3244	3336	3421	3506	3597
30	2389	2503	2600	2687	2769	2853	2946	3054	3182		
YM102U1G-100	Capacity (W)	60				5052	6543	8195	10076	12252	14788
		50	2670	3949	5245	6626	8156	9904	11936	14319	17118
		40	3624	4841	6131	7560	9196	11105	13354	16009	19137
	Power (W)	30	4116	5336	6685	8229	10036	12172	14703	17696	21218
		60				4875	5145	5366	5545	5688	5805
		50	3438	3759	4025	4244	4424	4572	4695	4800	4895
		40	3127	3338	3511	3656	3777	3884	3983	4082	4189
30	2781	2914	3027	3128	3224	3322	3430	3555	3705		
YM115U1G-100	Capacity (W)	60				5551	7190	9006	11073	13463	16251
		50	2934	4340	5764	7281	8963	10884	13117	15735	18812
		40	3982	5320	6737	8308	10106	12204	14675	17592	21030
	Power (W)	30	4523	5864	7346	9044	11029	13376	16157	19447	23317
		60				5361	5658	5901	6098	6256	6384
		50	3781	4133	4426	4668	4866	5028	5163	5279	5384
		40	3439	3671	3862	4020	4154	4272	4381	4490	4606
30	3058	3205	3329	3440	3546	3654	3772	3910	4074		

Remark:

	Suction Superheat 11.1K, No Subcoolig
	RG 20°C, No Subcooling

# YM Series

## Capacity

50Hz

R455A

Model	C.T. (°C)	E.T. (°C)										
		-30	-25	-20	-15	-10	-5	0	5	10		
YM34U1G-100	Capacity (W)	60				2217	2672	3217	3863	4622	5506	
		50	1347	1677	2070	2537	3091	3745	4509	5396	6419	
		40	1461	1848	2306	2850	3490	4239	5109	6112	7261	
	Power (W)	30	1616	2046	2558	3164	3878	4710	5673	6780	8041	
		60				1693	1827	1933	2016	2082	2136	
		50	1141	1299	1424	1521	1596	1655	1702	1743	1783	
	YM43U1G-100	Capacity (W)	40	1077	1169	1239	1292	1335	1372	1408	1450	1502
			30	942	993	1034	1069	1105	1146	1198	1267	1357
			60				2820	3400	4092	4914	5879	7004
Power (W)		50	1714	2134	2633	3228	3933	4763	5736	6864	8166	
		40	1859	2350	2934	3625	4439	5392	6499	7775	9236	
		30	2056	2602	3254	4025	4933	5991	7217	8624	10229	
YM49U1G-100		Capacity (W)	60				2122	2289	2422	2526	2609	2677
			50	1430	1628	1784	1906	2000	2073	2132	2184	2235
			40	1350	1465	1552	1619	1672	1719	1765	1817	1883
	Power (W)	30	1180	1244	1295	1340	1385	1436	1502	1587	1700	
		60				3109	3748	4512	5417	6482	7722	
		50	1889	2352	2903	3559	4336	5252	6324	7568	9003	
	YM60U1G-100	Capacity (W)	40	2050	2591	3235	3997	4894	5945	7165	8572	10183
			30	2267	2869	3587	4438	5438	6606	7957	9509	11278
			60				2291	2472	2615	2728	2817	2891
Power (W)		50	1545	1758	1927	2059	2160	2239	2303	2358	2413	
		40	1458	1582	1676	1749	1806	1856	1906	1962	2033	
		30	1274	1344	1399	1447	1495	1551	1622	1714	1836	
YM70U1G-100		Capacity (W)	60				3880	4678	5631	6761	8089	9637
			50	2358	2936	3623	4441	5411	6554	7892	9445	11235
			40	2558	3234	4037	4988	6108	7419	8942	10698	12709
	Power (W)	30	2829	3581	4477	5538	6787	8244	9930	11867	14075	
		60				2786	3006	3180	3317	3426	3515	
		50	1878	2138	2343	2503	2627	2723	2800	2868	2934	
	YM86U1G-100	Capacity (W)	40	1772	1923	2038	2126	2196	2257	2317	2386	2472
			30	1549	1634	1701	1760	1818	1886	1972	2084	2233
			60				4558	5494	6614	7942	9502	11321
Power (W)		50	2770	3448	4256	5217	6356	7699	9270	11095	13198	
		40	3005	3799	4742	5859	7175	8715	10504	12567	14929	
		30	3323	4206	5259	6506	7973	9684	11665	13940	16534	
YM102U1G-100		Capacity (W)	60				3176	3426	3624	3781	3905	4007
			50	2141	2437	2671	2853	2994	3103	3192	3269	3345
			40	2020	2192	2323	2424	2503	2572	2641	2719	2818
	Power (W)	30	1766	1862	1939	2006	2072	2150	2248	2376	2545	
		60				5602	6754	8130	9762	11680	13916	
		50	3405	4239	5231	6412	7813	9464	11395	13638	16223	
	YM115U1G-100	Capacity (W)	40	3694	4669	5829	7202	8819	10712	12911	15447	18350
			30	4085	5170	6464	7997	9800	11903	14338	17134	20323
			60				3792	4091	4328	4514	4662	4784
Power (W)		50	2556	2910	3189	3407	3575	3706	3811	3903	3994	
		40	2412	2618	2774	2894	2989	3072	3154	3247	3365	
		30	2109	2224	2315	2395	2475	2567	2684	2837	3039	
YM102U1G-100		Capacity (W)	60				6607	7964	9588	11512	13774	16410
			50	4015	4999	6169	7562	9213	11160	13438	16083	19131
			40	4356	5506	6873	8493	10400	12633	15226	18216	21639
	Power (W)	30	4817	6097	7623	9431	11557	14037	16908	20206	23966	
		60				4417	4766	5042	5259	5431	5573	
		50	2978	3390	3715	3969	4165	4317	4440	4547	4652	
	YM115U1G-100	Capacity (W)	40	2810	3049	3232	3371	3482	3578	3674	3783	3920
			30	2456	2591	2697	2790	2883	2990	3126	3305	3540
			60				7154	8624	10382	12466	14915	17769
Power (W)		50	4347	5413	6680	8188	9977	12084	14551	17415	20715	
		40	4717	5963	7443	9196	11262	13679	16487	19725	23432	
		30	5216	6602	8254	10212	12514	15200	18308	21879	25951	
Power (W)		60				4812	5191	5492	5728	5916	6071	
		50	3244	3692	4047	4323	4536	4702	4836	4952	5067	
		40	3061	3322	3520	3672	3793	3897	4002	4120	4269	
30	2676	2822	2938	3039	3140	3257	3405	3600	3856			

Remark:

	Suction Superheat 11.1K, No Subcooling
	RG 20°C, No Subcooling

# YM Series

## Capacity

# 50Hz

# R404A

Model	C.T. (°C)	E.T. (°C)										
		-30	-25	-20	-15	-10	-5	0	5	10		
YM34E2G-102	Capacity (W)	60			1837	2245	2704	3228	3834	4538	5355	
		50	1490	1887	2325	2819	3386	4041	4800	5679	6694	
		40	1777	2215	2716	3297	3971	4757	5669	6723	7936	
	Power (W)	30	2020	2499	3064	3729	4512	5428	6493	7723	9133	
		60			2243	2350	2451	2545	2632	2711	2781	
		50	1705	1800	1892	1981	2067	2149	2226	2296	2360	
	Power (W)	40	1448	1523	1599	1674	1748	1820	1890	1955	2017	
		30	1235	1295	1357	1421	1486	1552	1617	1681	1743	
		60			2194	2682	3229	3856	4579	5420	6396	
YM43E2G-102	Capacity (W)	50	1780	2254	2777	3368	4044	4827	5733	6783	7996	
		40	2122	2646	3245	3938	4744	5682	6771	8030	9479	
		30	2412	2985	3659	4455	5390	6484	7756	9224	10909	
	Power (W)	60			2618	2743	2861	2971	3072	3164	3246	
		50	1990	2101	2209	2313	2413	2509	2598	2680	2755	
		40	1690	1778	1866	1954	2041	2125	2206	2283	2354	
	Power (W)	30	1441	1511	1584	1659	1735	1812	1888	1963	2035	
		60			2500	3056	3680	4394	5218	6176	7289	
		50	2028	2569	3165	3837	4609	5500	6533	7730	9111	
YM49E2G-102	Capacity (W)	40	2419	3015	3697	4487	5406	6475	7716	9151	10801	
		30	2749	3401	4170	5076	6142	7389	8838	10511	12431	
		60			2917	3056	3188	3310	3423	3526	3616	
	Power (W)	50	2218	2341	2461	2577	2689	2795	2895	2986	3070	
		40	1883	1981	2080	2178	2274	2368	2458	2543	2623	
		30	1606	1684	1765	1848	1933	2019	2103	2187	2268	
	YM60E2G-100	Capacity (W)	60			3062	3742	4506	5380	6390	7563	8925
			50	2484	3145	3875	4699	5643	6735	8000	9465	11157
			40	2961	3692	4527	5494	6619	7928	9448	11205	13226
Power (W)		30	3366	4165	5106	6216	7521	9047	10822	12871	15221	
		60			3929	4114	4289	4453	4603	4740	4861	
		50	2996	3160	3320	3475	3624	3766	3899	4021	4132	
Power (W)		40	2550	2681	2812	2943	3071	3196	3316	3430	3537	
		30	2181	2284	2392	2504	2617	2731	2844	2955	3063	
		60			3572	4366	5257	6276	7455	8823	10412	
YM70E2G-100	Capacity (W)	50	2898	3670	4521	5482	6584	7857	9333	11042	13016	
		40	3455	4307	5282	6410	7722	9249	11023	13073	15431	
		30	3927	4859	5957	7252	8774	10555	12626	15016	17758	
	Power (W)	60			3890	4075	4250	4413	4564	4700	4821	
		50	2957	3121	3281	3436	3585	3726	3859	3982	4093	
		40	2510	2641	2773	2903	3032	3156	3277	3391	3498	
	Power (W)	30	2141	2245	2353	2464	2577	2691	2804	2915	3023	
		60			4388	5364	6459	7711	9159	10840	12792	
		50	3560	4509	5554	6735	8089	9653	11466	13566	15991	
YM86E2G-100	Capacity (W)	40	4245	5292	6489	7875	9487	11364	13542	16061	18958	
		30	4824	5970	7319	8909	10780	12968	15512	18449	21817	
		60			4800	5029	5245	5447	5633	5801	5950	
	Power (W)	50	3649	3851	4049	4240	4424	4599	4763	4914	5051	
		40	3098	3260	3422	3583	3741	3896	4044	4185	4316	
		30	2642	2770	2904	3041	3181	3321	3461	3598	3731	

Remark:

	Suction Superheat 11.1K, No Subcooling
	RG 20°C, No Subcooling

# YM Series

## Capacity

# 50Hz R404A

Model	C.T. (°C)	E.T. (°C)										
		-30	-25	-20	-15	-10	-5	0	5	10		
YM34E1G-100	Capacity (W)	60			1837	2245	2704	3228	3834	4538	5355	
		50	1490	1887	2325	2819	3386	4041	4800	5679	6694	
		40	1777	2215	2716	3297	3971	4757	5669	6723	7936	
	Power (W)	30	2020	2499	3064	3729	4512	5428	6493	7723	9133	
		60			2214	2324	2427	2524	2612	2693	2764	
		50	1664	1760	1855	1946	2034	2118	2196	2269	2334	
	Power (W)	40	1400	1477	1555	1632	1708	1782	1852	1920	1983	
		30	1182	1243	1307	1373	1440	1507	1574	1639	1703	
		60			2194	2682	3229	3856	4579	5420	6396	
YM43E1G-100	Capacity (W)	50	1780	2254	2777	3368	4044	4827	5733	6783	7996	
		40	2122	2646	3245	3938	4744	5682	6771	8030	9479	
		30	2412	2985	3659	4455	5390	6484	7756	9224	10909	
	Power (W)	60			2502	2625	2742	2851	2952	3043	3124	
		50	1880	1989	2096	2199	2299	2393	2482	2563	2638	
		40	1582	1669	1757	1844	1930	2013	2093	2169	2240	
	Power (W)	30	1336	1405	1477	1551	1627	1703	1778	1852	1924	
		60			2500	3056	3680	4394	5218	6176	7289	
		50	2028	2569	3165	3837	4609	5500	6533	7730	9111	
YM49E1G-100	Capacity (W)	40	2419	3015	3697	4487	5406	6475	7716	9151	10801	
		30	2749	3401	4170	5076	6142	7389	8838	10511	12431	
		60			2776	2913	3043	3164	3275	3376	3466	
	Power (W)	50	2085	2207	2325	2440	2550	2655	2753	2844	2926	
		40	1755	1852	1949	2046	2141	2233	2322	2407	2486	
		30	1482	1559	1639	1721	1805	1889	1973	2055	2135	
	YM60E1G-100	Capacity (W)	60			3062	3742	4506	5380	6390	7563	8925
			50	2484	3145	3875	4699	5643	6735	8000	9465	11157
			40	2961	3692	4527	5494	6619	7928	9448	11205	13226
Power (W)		30	3366	4165	5106	6216	7521	9047	10822	12871	15221	
		60			3417	3586	3745	3894	4032	4156	4266	
		50	2567	2716	2862	3004	3140	3269	3389	3501	3602	
Power (W)		40	2160	2280	2399	2518	2635	2749	2859	2963	3060	
		30	1824	1919	2017	2119	2222	2325	2429	2530	2628	
		60			3572	4366	5257	6276	7455	8823	10412	
YM70E1G-100	Capacity (W)	50	2898	3670	4521	5482	6584	7857	9333	11042	13016	
		40	3455	4307	5282	6410	7722	9249	11023	13073	15431	
		30	3927	4859	5957	7252	8774	10555	12626	15016	17758	
	Power (W)	60			3851	4041	4221	4389	4544	4684	4808	
		50	2893	3061	3226	3385	3538	3684	3820	3946	4060	
		40	2435	2569	2704	2838	2970	3098	3222	3339	3449	
	Power (W)	30	2056	2162	2273	2388	2504	2621	2737	2851	2962	
		60			4388	5364	6459	7711	9159	10840	12792	
		50	3560	4509	5554	6735	8089	9653	11466	13566	15991	
YM86E1G-100	Capacity (W)	40	4245	5292	6489	7875	9487	11364	13542	16061	18958	
		30	4824	5970	7319	8909	10780	12968	15512	18449	21817	
		60			4628	4857	5073	5275	5461	5629	5779	
	Power (W)	50	3477	3679	3877	4069	4253	4427	4591	4742	4879	
		40	2926	3088	3250	3411	3570	3724	3872	4013	4145	
		30	2471	2599	2732	2870	3009	3150	3289	3427	3560	

Remark:

	Suction Superheat 11.1K, No Subcoolig
	RG 20°C, No Subcooling

# YM/YMZ Series

# 50Hz

## Capacity

# R404A

Model	C.T. (°C)	E.T. (°C)										
		-30	-25	-20	-15	-10	-5	0	5	10		
YM102E1G-100	Capacity (W)	60			5205	6362	7660	9146	10863	12857	15172	
		50	4222	5347	6588	7988	9594	11449	13600	16090	18966	
		40	5034	6276	7697	9340	11252	13478	16062	19049	22485	
	Power (W)	30	5722	7080	8680	10567	12785	15380	18397	21881	25876	
		60			5489	5761	6017	6256	6477	6676	6854	
		50	4124	4364	4598	4826	5044	5251	5445	5625	5787	
	Power (W)	40	3471	3662	3855	4046	4234	4417	4593	4760	4916	
		30	2930	3082	3241	3403	3569	3736	3901	4064	4222	
		60			5868	7172	8637	10311	12247	14495	17106	
YM115E1G-100	Capacity (W)	50	4760	6029	7427	9006	10816	12908	15333	18141	21384	
		40	5676	7076	8677	10531	12686	15196	18109	21477	25350	
		30	6451	7982	9786	11914	14415	17341	20742	24670	29174	
	Power (W)	60			6412	6729	7028	7308	7565	7799	8006	
		50	4817	5097	5371	5637	5891	6133	6360	6570	6760	
		40	4054	4278	4503	4726	4945	5159	5365	5560	5742	
	Power (W)	30	3423	3600	3785	3976	4169	4364	4557	4747	4932	
		60			2259	2718	3251	3888	4653	5574	6678	
		50	1661	2189	2760	3403	4142	5005	6020	7211	8607	
YMZ46E1-100	Capacity (W)	40	2018	2640	3328	4107	5006	6050	7266	8682	10323	
		30	2424	3093	3850	4721	5732	6910	8283	9876	11716	
		60			2618	2772	2910	3031	3135	3222	3292	
	Power (W)	50	2007	2138	2259	2371	2473	2565	2647	2717	2776	
		40	1753	1841	1926	2008	2086	2161	2231	2297	2357	
		30	1509	1567	1628	1692	1759	1828	1899	1972	2046	
	YMZ83E1-100	Capacity (W)	60			3962	4856	5909	7156	8632	10374	12416
			50	3180	4045	5039	6199	7560	9156	11024	13199	15716
			40	3872	4873	6046	7426	9049	10949	13163	15726	18672
Power (W)		30	4504	5597	6902	8457	10296	12455	14968	17873	21204	
		60			4633	4868	5087	5288	5472	5640	5790	
		50	3468	3684	3888	4082	4265	4437	4598	4749	4889	
Power (W)		40	2931	3101	3265	3425	3580	3731	3877	4018	4156	
		30	2499	2630	2762	2896	3031	3168	3306	3447	3589	
		60			4448	5706	8242	9883	11735	13876	16387	
YMZ110E1-100	Capacity (W)	50	3327	4502	6950	8572	10361	12396	14757	17525	20779	
		40	5110	6632	8277	10124	12255	14749	17685	21145	25207	
		30	6190	7769	9588	11727	14265	17282	20859	25075	30012	
	Power (W)	60			6176	6487	6768	7031	7288	7552	7834	
		50	4700	5011	5280	5518	5739	5953	6172	6410	6676	
		40	4005	4255	4474	4674	4867	5066	5281	5526	5811	
	Power (W)	30	3351	3572	3775	3970	4170	4386	4631	4917	5255	
		60			6378	7796	9388	11208	13312	15756	18594	
		50	5174	6553	8073	9789	11757	14031	16666	19719	23243	
YM125E1G-100	Capacity (W)	40	6170	7692	9432	11446	13790	16517	19684	23344	27555	
		30	7012	8677	10637	12950	15668	18849	22546	26815	31711	
		60			6727	7060	7374	7667	7937	8182	8399	
	Power (W)	50	5054	5348	5635	5914	6181	6435	6673	6893	7092	
		40	4253	4488	4724	4958	5188	5413	5628	5833	6025	
		30	3591	3777	3971	4171	4374	4578	4781	4980	5174	

Remark:

	Suction Superheat 11.1K, No Subcooling
	RG 20°C, No Subcooling

# YM Series

## Capacity

# 50Hz R404A

Model	C.T. (°C)	E.T. (°C)										
		-30	-25	-20	-15	-10	-5	0	5	10		
YM132E1G-100	Capacity (W)	60			6735	8233	9913	11836	14058	16638	19635	
		50	5464	6920	8525	10337	12415	14817	17600	20823	24545	
		40	6515	8122	9960	12087	14562	17442	20786	24652	29098	
	Power (W)	30	7405	9163	11233	13675	16546	19904	23808	28317	33487	
		60			7043	7391	7719	8026	8309	8566	8793	
		50	5291	5599	5900	6191	6471	6737	6986	7216	7425	
	YM158E1G-100	Capacity (W)	40	4453	4699	4945	5191	5432	5666	5892	6107	6307
			30	3760	3954	4157	4367	4579	4793	5005	5214	5417
			60			8266	10104	12166	14526	17253	20420	24097
Power (W)		50	6706	8493	10463	12687	15237	18184	21600	25555	30123	
		40	7996	9968	12224	14834	17871	21406	25510	30254	35711	
		30	9088	11245	13786	16783	20306	24428	29219	34752	41098	
YM182E1G-100		Capacity (W)	60			8643	9070	9474	9851	10198	10512	10791
			50	6494	6871	7240	7598	7942	8268	8574	8856	9112
			40	5465	5767	6069	6370	6666	6954	7231	7494	7741
	Power (W)	30	4614	4853	5102	5359	5620	5882	6143	6399	6648	
		60			9287	11351	13668	16319	19383	22940	27072	
		50	7534	9541	11754	14253	17118	20429	24266	28710	33842	
	YM200E1G-100	Capacity (W)	40	8983	11199	13733	16666	20078	24049	28659	33989	40120
			30	10210	12633	15488	18854	22813	27444	32827	39043	46172
			60			9586	10060	10508	10926	11311	11659	11969
Power (W)		50	7202	7621	8030	8427	8808	9170	9509	9822	10107	
		40	6061	6396	6732	7066	7394	7713	8020	8312	8585	
		30	5118	5383	5659	5944	6233	6524	6813	7097	7373	
YM210E1G-100		Capacity (W)	60			10205	12474	15020	17933	21300	25209	29750
			50	8279	10485	12917	15663	18811	22449	26666	31550	37189
			40	9872	12306	15091	18314	22063	26427	31494	37351	44088
	Power (W)	30	11219	13883	17020	20719	25069	30158	36073	42904	50738	
		60			10535	11055	11547	12006	12429	12813	13152	
		50	7915	8375	8825	9261	9679	10077	10449	10794	11106	
	YM240E1G-105	Capacity (W)	40	6660	7028	7398	7764	8125	8476	8814	9134	9434
			30	5624	5915	6219	6532	6850	7169	7487	7799	8102
			60			10716	13097	15771	18829	22365	26470	31237
Power (W)		50	8693	11009	13563	16446	19751	23572	28000	33127	39048	
		40	10365	12922	15846	19230	23167	27748	33068	39219	46292	
		30	11780	14577	17871	21755	26323	31666	37877	45049	53275	
YM240E1G-105		Capacity (W)	60			10968	11510	12022	12500	12941	13340	13694
			50	8240	8719	9188	9642	10077	10491	10879	11238	11563
			40	6934	7317	7702	8084	8459	8825	9176	9510	9822
	Power (W)	30	5855	6158	6475	6800	7131	7464	7795	8120	8435	
		60			9601	12288	15167	18326	21850	25824	30336	
		50	7679	10398	13323	16541	20137	24196	28806	34051	40018	
	Power (W)	40	10642	13373	16495	20095	24257	29068	34615	40981	48254	
		30	12986	15580	18750	22582	27162	32575	38908	46247	54677	
		60			11771	12435	13132	13840	14536	15195	15795	
Power (W)	50	9016	9539	10117	10728	11347	11953	12521	13029	13454		
	40	7744	8252	8792	9340	9872	10366	10799	11147	11387		
	30	6745	7230	7722	8198	8634	9007	9295	9473	9520		

Remark:

	Suction Superheat 11.1K, No Subcoolig
	RG 20°C, No Subcooling

# YM/YSM Series

50Hz

## Capacity

# R404A

Model	C.T. (°C)	E.T. (°C)										
		-30	-25	-20	-15	-10	-5	0	5	10		
YM260E1G-100	Capacity (W)	60			11808	14432	17379	20748	24644	29167	34421	
		50	9579	12131	14945	18122	21764	25974	30853	36503	43028	
		40	11421	14239	17461	21190	25527	30576	36438	43215	51010	
	Power (W)	30	12981	16062	19692	23972	29005	34893	41737	49640	58704	
		60			13713	14390	15031	15628	16179	16678	17121	
		50	10302	10901	11487	12055	12600	13117	13602	14050	14457	
	Power (W)	40	8670	9149	9629	10107	10576	11033	11473	11890	12281	
		30	7321	7700	8095	8502	8916	9332	9746	10152	10547	
		60			11991	14657	17649	21071	25027	29621	34956	
YSM235E1G-100	Capacity (W)	50	9727	12320	15177	18404	22103	26378	31333	37071	43697	
		40	11599	14460	17732	21519	25924	31052	37005	43887	51803	
		30	13183	16312	19998	24345	29456	35435	42386	50412	59617	
	Power (W)	60			12928	13567	14171	14734	15253	15724	16141	
		50	9713	10278	10830	11365	11879	12366	12824	13246	13630	
		40	8174	8625	9078	9529	9971	10402	10816	11210	11578	
	Power (W)	30	6902	7259	7632	8016	8406	8798	9188	9571	9943	
		60			13267	16216	19526	23313	27690	32772	38675	
		50	10762	13630	16792	20362	24454	29184	34666	41015	48345	
YSM260E1G-100	Capacity (W)	40	12833	15998	19619	23808	28682	34355	40942	48556	57314	
		30	14585	18047	22126	26935	32590	39205	46895	55775	65959	
		60			14304	15010	15678	16302	16876	17397	17858	
	Power (W)	50	10746	11371	11982	12574	13142	13682	14188	14656	15080	
		40	9043	9543	10044	10542	11032	11508	11967	12402	12810	
		30	7636	8031	8444	8868	9300	9734	10166	10590	11001	
	YM280E1G-100	Capacity (W)	60			13382	16357	19696	23515	27930	33057	39011
			50	10856	13749	16938	20539	24666	29437	34967	41371	48765
			40	12944	16137	19789	24015	28931	34653	41297	48978	57811
Power (W)		30	14712	18204	22318	27169	32873	39545	47302	56259	66532	
		60			15227	15980	16690	17354	17966	18520	19011	
		50	11440	12105	12755	13386	13991	14565	15104	15602	16053	
Power (W)		40	9627	10159	10693	11223	11744	12252	12740	13203	13637	
		30	8129	8550	8989	9441	9901	10363	10822	11273	11711	
		60			19926	23948	28782	34652	41780	50391	60706	
YM350E1G-100	Capacity (W)	50	15289	19274	23789	29059	35306	42754	51625	62143	74531	
		40	17820	22443	27762	34001	41381	50127	60462	72608	86789	
		30	20468	25451	31294	38221	46455	56220	67738	81233	96928	
	Power (W)	60			16602	17842	18997	20074	21076	22010	22800	
		50	12186	13386	14500	15534	16494	17384	18210	18978	19692	
		40	10870	11847	12750	13582	14349	15057	15710	16315	16877	
	Power (W)	30	9661	10420	11113	11746	12325	12854	13339	13784	14197	
		60			23170	27846	33467	40293	48582	58594	70589	
		50	17778	22411	27662	33790	41054	49714	60029	72260	86664	
YM410E1G-100	Capacity (W)	40	20721	26097	32282	39536	48118	58287	70304	84428	100917	
		30	23801	29594	36388	44443	54018	65372	78765	94457	112707	
		60			19304	20746	22090	23341	24507	25593	26605	
	Power (W)	50	14170	15565	16860	18063	19179	20214	21175	22067	22898	
		40	12640	13776	14825	15792	16685	17508	18268	18971	19624	
		30	11234	12116	12922	13659	14331	14946	15510	16028	16508	

Remark:

	Suction Superheat 11.1K, No Subcoolig
	RG 20°C, No Subcooling

# YM Series

# 50Hz

## Capacity

# R448A R449A

Model	C.T. (°C)	E.T. (°C)										
		-30	-25	-20	-15	-10	-5	0	5	10		
YM34E2G-102	Capacity (W)	60				2278	2751	3321	4001	4804	5742	
		50		1710	2125	2620	3207	3900	4711	5653	6739	
		40	1498	1910	2398	2974	3651	4442	5360	6417	7627	
	Power (W)	60	1680	2133	2670	3303	4046	4911	5911	7059	8367	
		50				1820	1933	2022	2094	2151	2200	
		40	1134	1212	1273	1322	1364	1403	1444	1492	1551	
	Power (W)	30	994	1037	1072	1106	1142	1186	1242	1315	1410	
		60				2874	3470	4189	5047	6059	7242	
		50		2157	2680	3304	4045	4919	5941	7129	8499	
YM43E2G-102	Capacity (W)	40	1889	2409	3025	3751	4605	5603	6760	8094	9619	
		30	2119	2690	3367	4166	5103	6194	7455	8903	10554	
		60				2296	2438	2551	2641	2713	2775	
	Power (W)	50		1733	1868	1975	2059	2128	2186	2240	2295	
		40	1430	1529	1606	1668	1720	1769	1821	1881	1956	
		30	1254	1307	1352	1395	1441	1496	1567	1659	1778	
	Capacity (W)	60				3188	3850	4648	5599	6722	8035	
		50		2394	2974	3666	4488	5457	6592	7910	9430	
		40	2096	2673	3356	4162	5110	6217	7501	8980	10673	
YM49E2G-102	Capacity (W)	30	2351	2985	3736	4622	5662	6872	8272	9878	11709	
		60				2548	2705	2830	2930	3011	3079	
		50		1923	2073	2191	2285	2361	2425	2485	2547	
	Power (W)	40	1587	1696	1782	1850	1909	1963	2021	2087	2170	
		30	1392	1451	1500	1547	1598	1660	1738	1840	1973	
		60				3968	4792	5785	6969	8367	10000	
	YM60E2G-100	Capacity (W)	50		2979	3701	4563	5586	6792	8205	9845	11737
			40	2608	3327	4177	5180	6360	7737	9336	11177	13284
			30	2926	3715	4650	5753	7047	8553	10295	12295	14574
Power (W)		60				3171	3367	3523	3647	3747	3832	
		50		2394	2580	2727	2844	2938	3019	3093	3169	
		40	1975	2111	2218	2303	2376	2443	2515	2598	2701	
Power (W)		30	1732	1806	1867	1926	1989	2066	2163	2290	2455	
		60				4215	5296	6514	7910	9524	11396	
		50		3286	4230	5269	6443	7795	9363	11189	13312	
YM70E2G-100	Capacity (W)	40	3080	3969	4953	6071	7365	8874	10640	12703	15103	
		30	3510	4425	5473	6696	8134	9827	11815	14140	16842	
		60				3923	4113	4302	4487	4665	4833	
	Power (W)	50		2880	3040	3206	3374	3542	3707	3864	4012	
		40	2294	2421	2558	2701	2847	2992	3133	3268	3394	
		30	1975	2078	2189	2307	2428	2549	2666	2777	2877	
	Capacity (W)	60				5179	6508	8004	9719	11702	14002	
		50		4038	5197	6474	7917	9577	11504	13747	16356	
		40	3785	4877	6085	7459	9049	10903	13073	15607	18556	
YM86E2G-100	Capacity (W)	30	4313	5436	6724	8227	9993	12073	14517	17373	20693	
		60				4820	5053	5285	5513	5732	5938	
		50		3538	3735	3939	4146	4352	4554	4748	4929	
	Power (W)	40	2818	2975	3143	3318	3497	3676	3850	4016	4169	
		30	2427	2552	2690	2835	2983	3131	3275	3411	3535	
		60				2270	2746	3315	3992	4793	5733	
	Capacity (W)	50		1702	2122	2615	3198	3885	4692	5636	6732	
		40	1496	1911	2396	2967	3640	4430	5352	6423	7659	
		30	1684	2137	2672	3305	4052	4929	5950	7133	8492	
Power (W)	60				1818	1967	2079	2161	2220	2262		
	50		1327	1481	1599	1687	1752	1800	1838	1872		
	40	1088	1206	1295	1361	1410	1450	1486	1525	1573		
Power (W)	30	976	1038	1084	1120	1152	1188	1234	1296	1381		

Remark:

	Suction Superheat 11.1K, No Subcooling
	RG 20°C, No Subcooling

# YM Series

## Capacity

# 50Hz

# R448A R449A

Model	C.T. (°C)	E.T. (°C)										
		-30	-25	-20	-15	-10	-5	0	5	10		
YM43E1G-100	Capacity (W)	60				2863	3464	4181	5035	6045	7231	
		50		2147	2676	3298	4033	4900	5918	7109	8491	
		40	1886	2410	3022	3743	4591	5587	6751	8102	9660	
	Power (W)	60	2124	2695	3370	4168	5111	6216	7505	8997	10711	
		50		1673	1868	2016	2128	2209	2270	2318	2361	
		40	1372	1521	1633	1716	1779	1829	1874	1923	1984	
	YM49E1G-100	Capacity (W)	60				3176	3843	4639	5586	6707	8023
			50		2382	2970	3660	4475	5436	6567	7887	9421
			40	2093	2674	3353	4153	5094	6199	7490	8989	10718
Power (W)		60	2356	2990	3739	4625	5670	6897	8327	9982	11884	
		50		1857	2072	2237	2361	2451	2519	2572	2620	
		40	1522	1688	1812	1904	1974	2029	2079	2134	2202	
YM60E1G-100		Capacity (W)	60				3953	4783	5774	6953	8348	9986
			50		2964	3696	4555	5569	6766	8173	9817	11725
			40	2605	3328	4174	5168	6340	7715	9322	11188	13340
	Power (W)	60	2933	3721	4653	5756	7058	8584	10364	12424	14791	
		50		2311	2579	2785	2938	3051	3135	3201	3261	
		40	1894	2101	2256	2370	2456	2525	2588	2656	2740	
	YM70E1G-100	Capacity (W)	60				5179	6508	8004	9719	11702	14002
			50		4038	5197	6474	7917	9577	11504	13747	16356
			40	3785	4877	6085	7459	9049	10903	13073	15607	18556
Power (W)		60	4313	5436	6725	8227	9993	12073	14517	17373	20693	
		50		3367	3563	3767	3974	4181	4383	4576	4757	
		40	2647	2803	2971	3147	3326	3504	3678	3844	3998	
YM86E1G-100		Capacity (W)	60				6113	7680	9446	11470	13809	16524
			50		4766	6133	7640	9343	11302	13576	16223	19302
			40	4467	5755	7181	8802	10678	12867	15427	18418	21898
	Power (W)	60	5089	6415	7936	9708	11793	14247	17131	20502	24419	
		50		3973	4205	4446	4690	4934	5172	5400	5614	
		40	3123	3308	3507	3714	3925	4135	4341	4537	4718	
	YM102E1G-100	Capacity (W)	60				6715	8437	10378	12601	15172	18154
			50		5235	6738	8393	10265	12417	14915	17824	21206
			40	4907	6323	7890	9671	11732	14136	16949	20235	24059
Power (W)		60	5591	7048	8718	10666	12956	15653	18821	22525	26828	
		50		4365	4620	4884	5153	5420	5682	5933	6168	
		40	3431	3635	3853	4080	4312	4543	4769	4984	5183	
Power (W)		60	2924	3087	3265	3453	3645	3837	4024	4201	4361	

Remark:

	Suction Superheat 11.1K, No Subcooling
	RG 20°C, No Subcooling

# YM Series

## Capacity

# 50Hz

# R452A

Model	C.T. (°C)	E.T. (°C)										
		-30	-25	-20	-15	-10	-5	0	5	10		
YM34E2G-102	Capacity (W)	60			1837	2245	2704	3228	3834	4538	5355	
		50	1490	1887	2325	2819	3386	4041	4800	5679	6694	
		40	1777	2215	2716	3297	3971	4757	5669	6723	7936	
	Power (W)	30	2019	2499	3064	3729	4512	5428	6493	7723	9133	
		60			2243	2350	2451	2545	2632	2711	2780	
		50	1705	1800	1892	1981	2067	2149	2225	2296	2360	
	Power (W)	40	1448	1523	1599	1674	1748	1820	1890	1955	2017	
		30	1235	1295	1357	1421	1486	1552	1617	1681	1743	
		60			2194	2682	3229	3856	4579	5420	6396	
YM43E2G-102	Capacity (W)	50	1780	2254	2777	3368	4044	4827	5733	6783	7996	
		40	2122	2646	3245	3938	4744	5682	6771	8030	9479	
		30	2412	2985	3659	4455	5390	6484	7756	9224	10909	
	Power (W)	60			2618	2743	2861	2971	3072	3164	3246	
		50	1990	2101	2209	2313	2413	2509	2598	2680	2755	
		40	1690	1778	1866	1954	2041	2125	2206	2283	2354	
	Power (W)	30	1441	1511	1584	1659	1735	1812	1888	1963	2035	
		60			2354	2896	3511	4217	5036	5989	7096	
		50	1912	2446	3035	3702	4467	5350	6372	7554	8916	
YM49E2G-102	Capacity (W)	40	2314	2914	3596	4383	5293	6348	7569	8976	10589	
		30	2643	3306	4077	4978	6030	7253	8668	10295	12155	
		60			2883	2948	3008	3061	3107	3145	3176	
	Power (W)	50	2129	2213	2294	2369	2440	2506	2565	2618	2663	
		40	1734	1817	1897	1973	2045	2113	2175	2231	2281	
		30	1484	1555	1624	1690	1753	1812	1867	1916	1960	
	YM60E2G-100	Capacity (W)	60			3062	3742	4506	5380	6390	7563	8925
			50	2484	3146	3875	4699	5643	6735	8000	9465	11157
			40	2961	3692	4527	5494	6619	7928	9448	11205	13226
Power (W)		30	3366	4165	5106	6216	7521	9047	10822	12871	15221	
		60			3417	3586	3745	3894	4032	4156	4266	
		50	2567	2716	2862	3004	3140	3269	3389	3501	3602	
Power (W)		40	2160	2280	2400	2518	2635	2749	2859	2963	3060	
		30	1824	1919	2017	2119	2222	2325	2429	2530	2628	
		60			3572	4366	5257	6277	7455	8823	10413	
YM70E2G-100	Capacity (W)	50	2898	3670	4521	5482	6584	7857	9333	11043	13016	
		40	3455	4307	5282	6410	7722	9250	11023	13073	15431	
		30	3927	4859	5957	7252	8774	10555	12626	15016	17758	
	Power (W)	60			3890	4075	4250	4413	4564	4701	4822	
		50	2957	3121	3281	3436	3585	3726	3859	3982	4093	
		40	2510	2641	2773	2903	3032	3156	3277	3391	3498	
	Power (W)	30	2141	2245	2353	2464	2577	2691	2804	2915	3023	
		60			4388	5364	6459	7711	9159	10840	12792	
		50	3560	4509	5554	6735	8089	9653	11466	13566	15991	
YM86E2G-100	Capacity (W)	40	4245	5292	6489	7875	9487	11364	13542	16061	18958	
		30	4824	5970	7319	8909	10780	12968	15512	18449	21817	
		60			4800	5029	5245	5447	5633	5801	5950	
	Power (W)	50	3649	3851	4049	4240	4424	4599	4763	4914	5051	
		40	3098	3260	3422	3583	3741	3896	4044	4185	4316	
		30	2642	2770	2904	3041	3181	3321	3461	3598	3731	
	YM34E1G-100	Capacity (W)	60			1882	2177	2560	3034	3605	4277	5054
			50	1575	1846	2205	2657	3206	3857	4615	5483	6467
			40	1714	2096	2576	3158	3848	4650	5568	6607	7772
Power (W)		30	1925	2391	2966	3653	4458	5384	6437	7622	8942	
		60			2013	2168	2313	2441	2542	2606	2624	
		50	1574	1660	1760	1863	1962	2047	2107	2136	2122	
Power (W)		40	1364	1407	1468	1536	1603	1659	1696	1703	1673	
		30	1138	1154	1190	1238	1288	1332	1359	1361	1328	

Remark:

	Suction Superheat 11.1K, No Subcooling
	RG 20°C, No Subcooling

# YM Series

## Capacity

# 50Hz

# R452A

Model	C.T. (°C)	E.T. (°C)										
		-30	-25	-20	-15	-10	-5	0	5	10		
YM43E1G-100	Capacity (W)	60			2194	2682	3229	3856	4579	5420	6396	
		50	1780	2254	2777	3368	4044	4827	5733	6783	7996	
		40	2122	2646	3245	3938	4744	5682	6771	8030	9479	
		30	2412	2985	3659	4455	5390	6484	7756	9224	10909	
	Power (W)	60			2502	2625	2742	2851	2952	3043	3124	
		50	1880	1989	2096	2199	2299	2393	2482	2563	2638	
		40	1582	1669	1757	1844	1930	2013	2093	2169	2241	
		30	1336	1405	1477	1551	1627	1703	1778	1852	1924	
	YM49E1G-100	Capacity (W)	60			2374	2893	3347	4175	5108	6144	7279
			50	1979	2494	2781	3550	4438	5442	6558	7784	9115
			40	2417	2731	3494	4385	5402	6541	7800	9176	10665
			30	2584	3283	4120	5093	6199	7434	8797	10282	11889
Power (W)		60			2708	2832	2941	3039	3124	3199	3262	
		50	2091	2201	2302	2394	2479	2556	2628	2693	2753	
		40	1802	1879	1953	2023	2092	2159	2225	2291	2356	
		30	1542	1596	1652	1710	1772	1837	1907	1982	2062	
YM60E1G-100		Capacity (W)	60			3062	3742	4506	5380	6390	7563	8925
			50	2484	3146	3875	4699	5643	6735	8000	9465	11157
			40	2961	3692	4527	5494	6619	7928	9448	11205	13226
			30	3366	4165	5106	6216	7521	9047	10822	12871	15221
	Power (W)	60			3417	3586	3745	3894	4032	4156	4266	
		50	2567	2716	2862	3004	3140	3269	3389	3501	3602	
		40	2160	2280	2400	2518	2635	2749	2859	2963	3060	
		30	1824	1919	2017	2119	2222	2325	2429	2530	2628	
	YM70E1G-100	Capacity (W)	60			3572	4366	5257	6277	7455	8823	10413
			50	2898	3670	4521	5482	6584	7857	9333	11043	13016
			40	3455	4307	5282	6410	7722	9250	11023	13073	15431
			30	3927	4859	5957	7252	8774	10555	12626	15016	17758
Power (W)		60			3851	4041	4221	4389	4544	4684	4808	
		50	2893	3061	3226	3385	3538	3684	3820	3946	4060	
		40	2435	2569	2704	2838	2970	3098	3222	3339	3449	
		30	2056	2162	2273	2388	2504	2621	2737	2851	2962	
YM86E1G-100		Capacity (W)	60			4388	5364	6459	7711	9159	10840	12792
			50	3560	4509	5554	6735	8089	9653	11466	13566	15991
			40	4245	5292	6489	7875	9487	11364	13542	16061	18958
			30	4824	5970	7319	8909	10780	12968	15512	18449	21817
	Power (W)	60			4628	4857	5073	5275	5461	5629	5779	
		50	3477	3679	3877	4069	4253	4427	4591	4742	4879	
		40	2926	3088	3250	3411	3570	3724	3872	4013	4145	
		30	2471	2599	2732	2870	3009	3150	3289	3427	3560	
	YM102E1G-100	Capacity (W)	60			5205	6362	7660	9146	10863	12857	15172
			50	4222	5347	6588	7988	9593	11449	13600	16090	18966
			40	5034	6276	7697	9340	11252	13478	16062	19049	22485
			30	5722	7080	8680	10567	12785	15380	18397	21881	25876
Power (W)		60			5489	5761	6017	6256	6477	6677	6854	
		50	4124	4364	4598	4826	5044	5251	5445	5625	5787	
		40	3471	3662	3855	4046	4234	4417	4593	4760	4916	
		30	2930	3082	3241	3403	3569	3736	3901	4064	4222	
YM115E1G-100		Capacity (W)	60			5868	7172	8637	10311	12247	14495	17106
			50	4760	6029	7427	9006	10816	12908	15333	18141	21384
			40	5676	7076	8677	10531	12686	15196	18109	21477	25350
			30	6451	7982	9786	11914	14415	17341	20742	24670	29174
	Power (W)	60			6412	6729	7028	7308	7565	7799	8006	
		50	4817	5097	5371	5637	5891	6133	6360	6570	6760	
		40	4054	4278	4503	4726	4945	5159	5365	5560	5742	
		30	3423	3600	3785	3976	4169	4364	4557	4747	4932	

Remark:

	Suction Superheat 11.1K, No Subcoolig
	RG 20°C, No Subcooling



# YIM Series

## Capacity

50Hz

R404A

Model	C.T. (°C)	E.T. (°C)									
		-30	-25	-20	-15	-10	-5	0	5	10	
<b>YIM50E1G-100</b>	Capacity (W)	60					5610	6938	8538	10446	12696
		50			4641	5805	7196	8847	10796	13076	15724
		40	3428	4429	5611	7008	8657	10591	12847	15460	18464
	Power (W)	30	4041	5185	6535	8125	9991	12167	14690	17594	20914
		60					5344	5414	5461	5488	5499
		50			4221	4315	4392	4456	4508	4552	4591
	Power (W)	40	3317	3405	3483	3553	3617	3680	3742	3808	3880
		30	2773	2820	2867	2918	2976	3042	3121	3214	3324
		60					6476	8010	9858	12060	14658
<b>YIM60E1G-100</b>	Capacity (W)	50			5358	6702	8307	10214	12464	15097	18154
		40	3957	5113	6478	8091	9994	12228	14832	17849	21317
		30	4665	5986	7545	9380	11535	14047	16960	20313	24146
	Power (W)	60					6170	6251	6305	6337	6349
		50			4874	4982	5071	5144	5205	5256	5300
		40	3829	3931	4021	4102	4176	4248	4321	4397	4480
	Power (W)	30	3201	3255	3310	3369	3436	3512	3603	3710	3838
		60					7653	9465	11648	14251	17321
		50			6332	7920	9817	12070	14729	17840	21452
<b>YIM72E1G-100</b>	Capacity (W)	40	4677	6043	7655	9561	11810	14450	17527	21092	25190
		30	5513	7074	8915	11085	13630	16600	20042	24003	28533
		60					7291	7386	7450	7488	7502
	Power (W)	50			5759	5887	5992	6079	6150	6210	6263
		40	4525	4645	4752	4847	4935	5020	5106	5196	5294
		30	3783	3847	3912	3982	4060	4151	4258	4384	4535

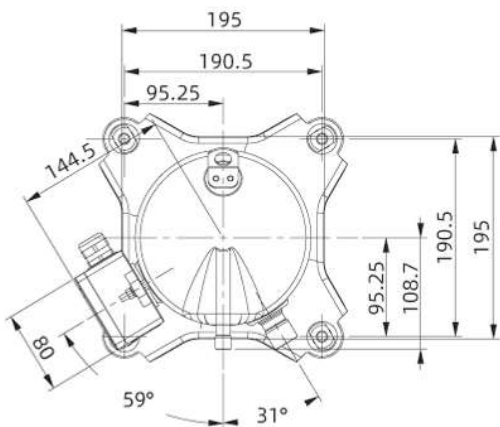
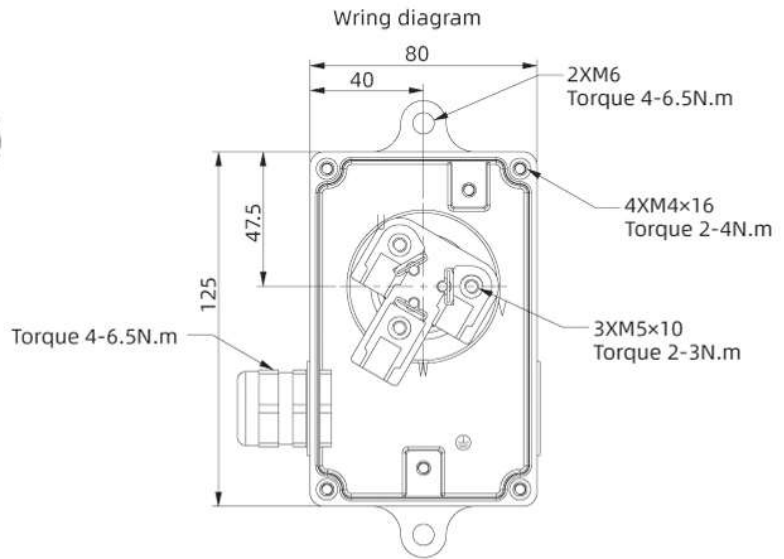
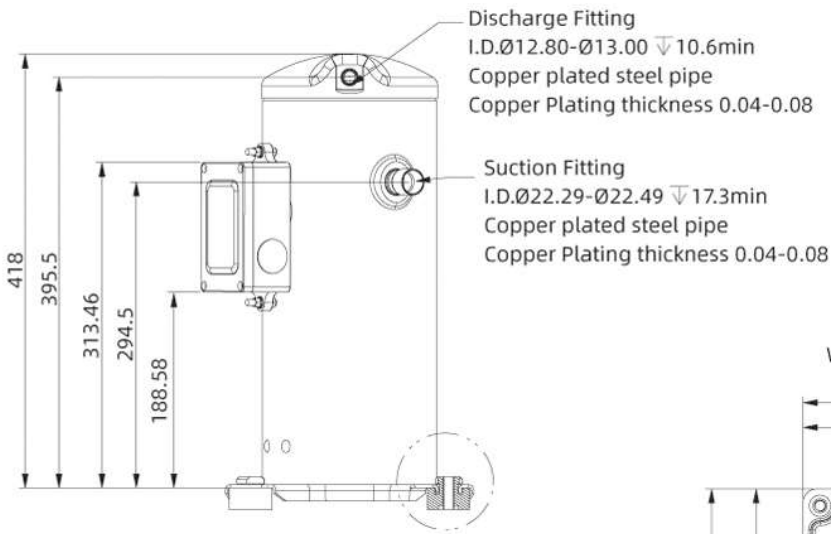
Remark: capacity @ 4500RPM, please check with INVOTECH for more information.

Suction Superheat 11.1K, No Subcoolig

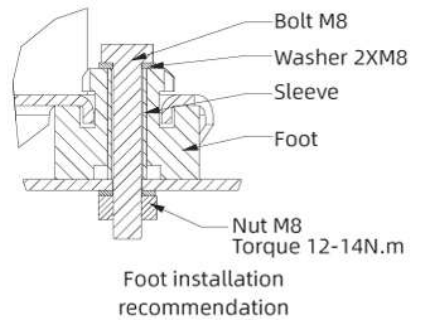
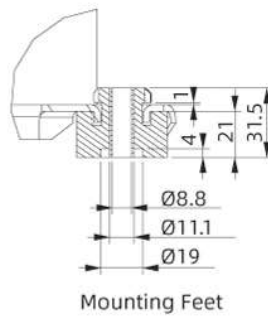
# YM Series

## Product Dimensions

R290



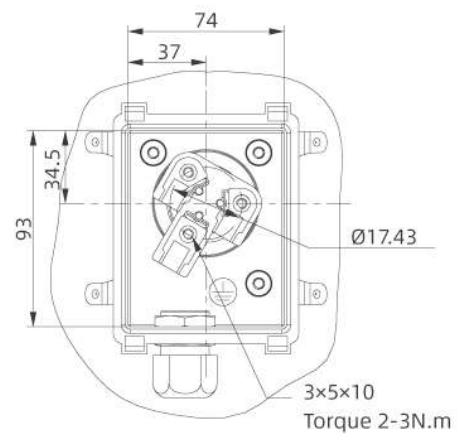
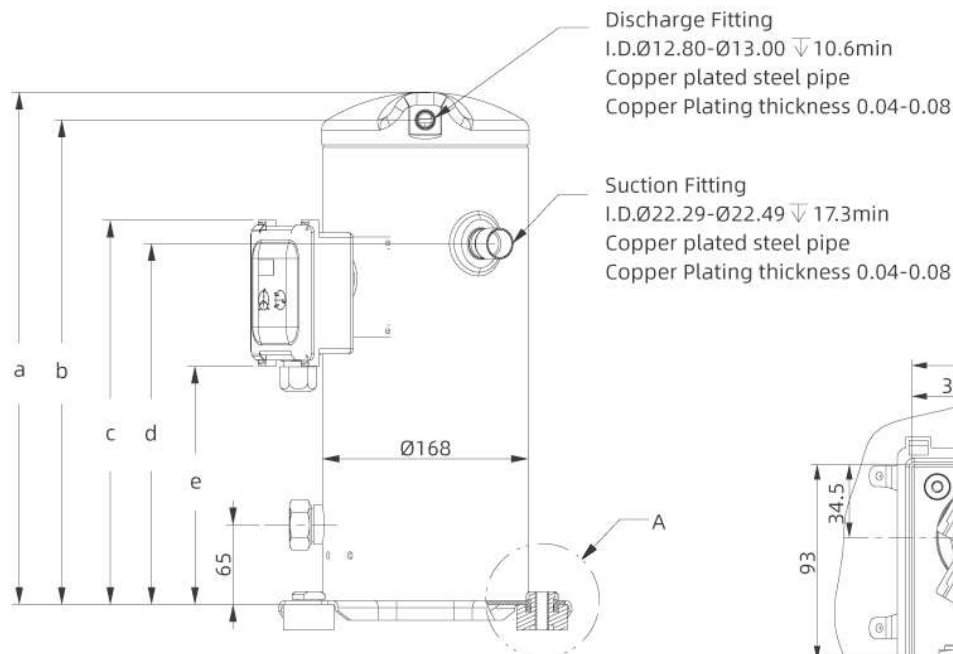
All Tolerances Unless  
Otherwise Specified:  $\pm$ 3°



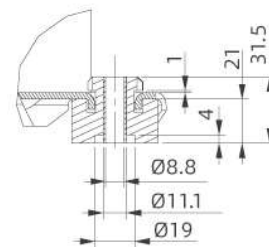
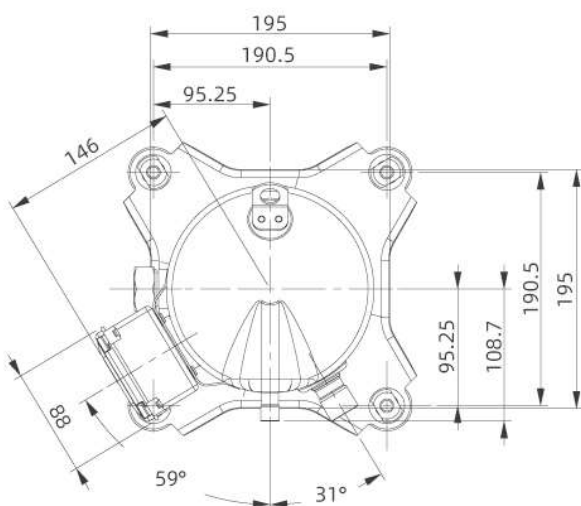
# YM Series

## Product Dimensions

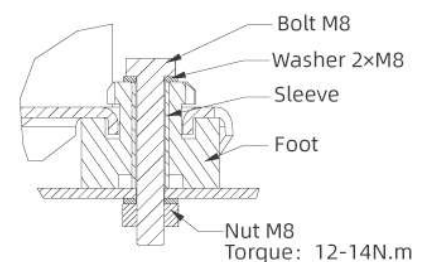
R454C R455A



Wiring diagram



Mounting Feet



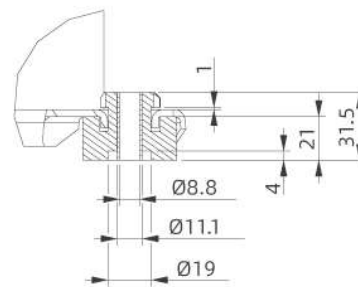
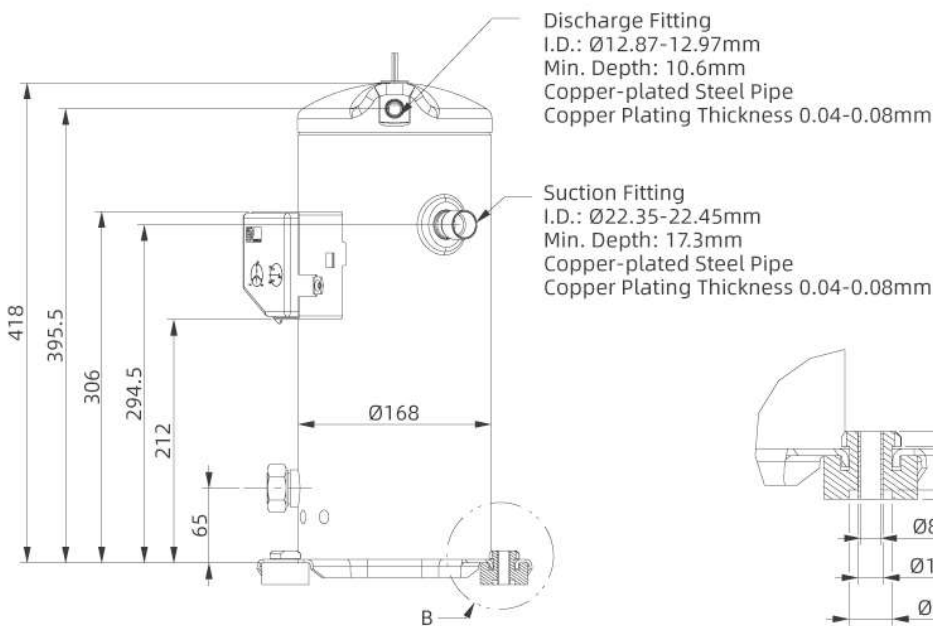
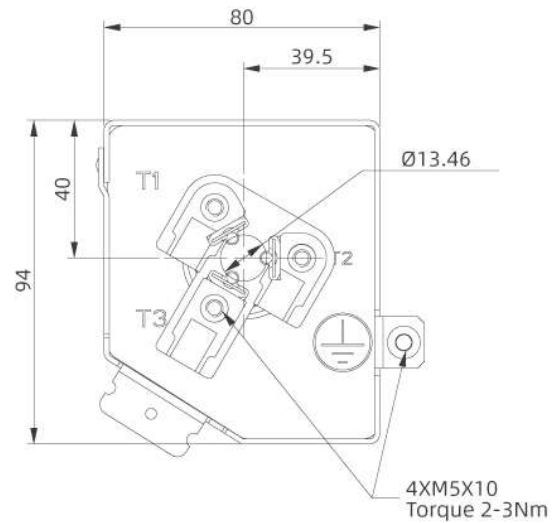
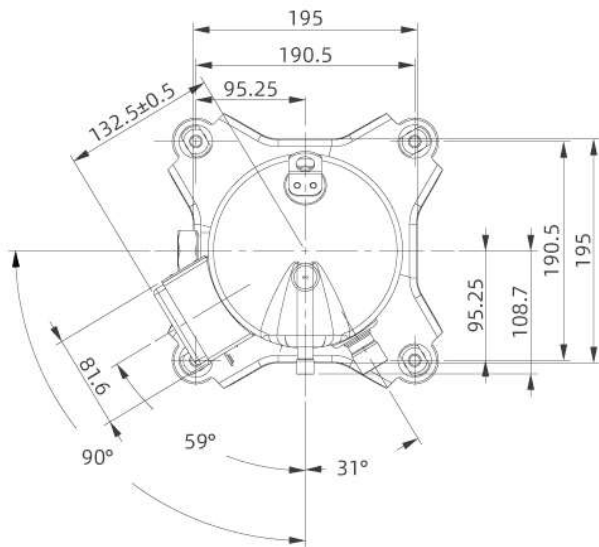
Foot installation recommendation

	a	b	c	d	e
<b>2-5HP</b>	418	395.5	313.5	294.5	194.5
<b>6-7HP</b>	463	440.5	358.5	339.5	239.5

# YM Series

## Product Dimensions

2-4 HP 1 Phase  
2-4 HP 3 Phase

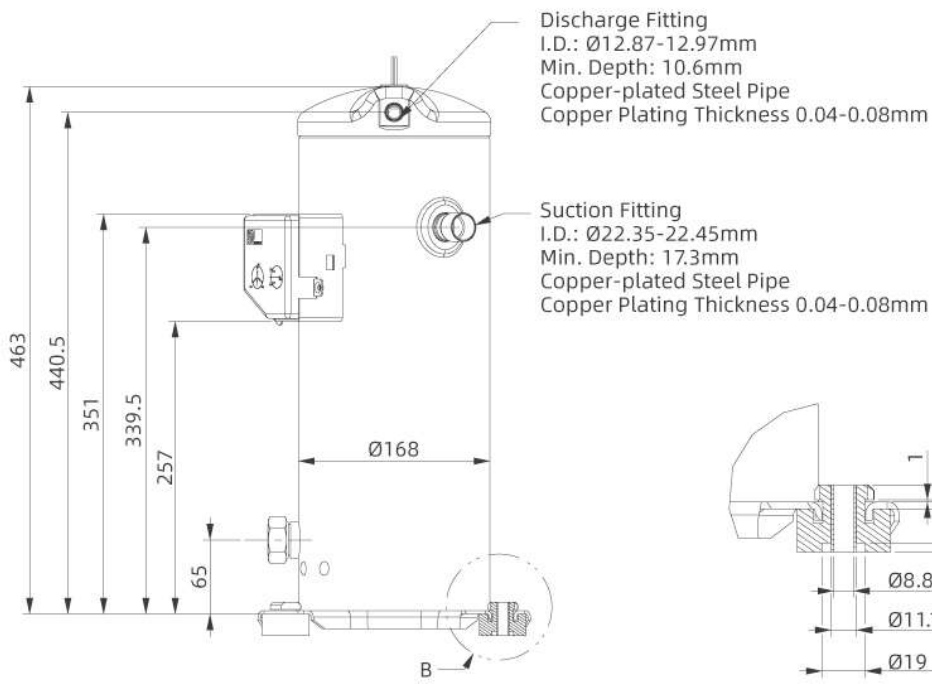
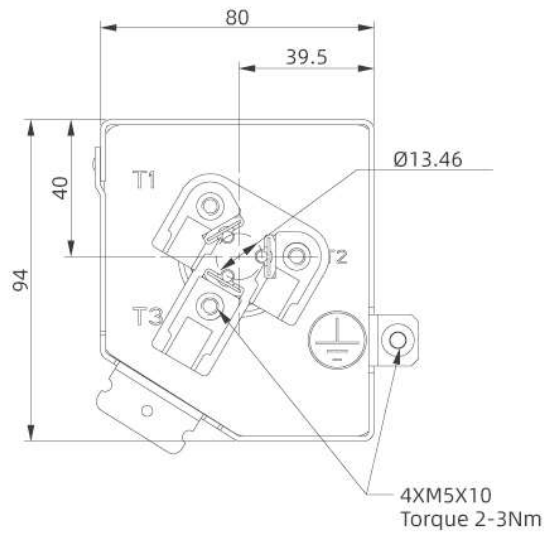
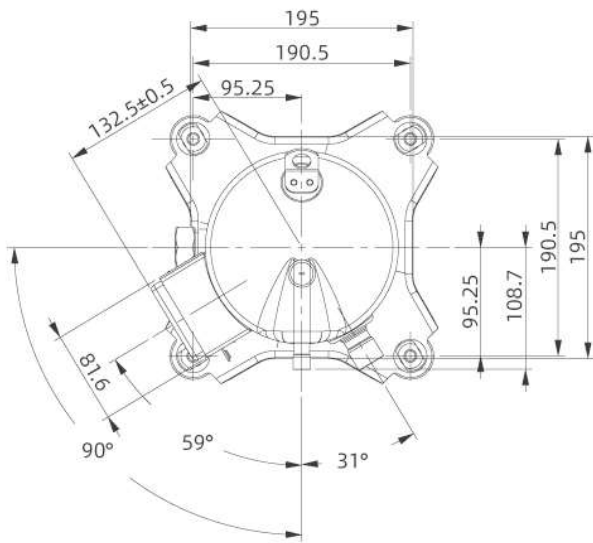


Mounting Feet

# YM Series

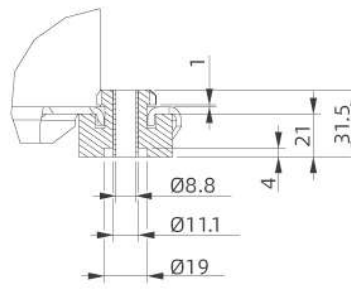
## Product Dimensions

5 HP 1 Phase  
5-7 HP 3 Phase



Discharge Fitting  
I.D.: Ø12.87-12.97mm  
Min. Depth: 10.6mm  
Copper-plated Steel Pipe  
Copper Plating Thickness 0.04-0.08mm

Suction Fitting  
I.D.: Ø22.35-22.45mm  
Min. Depth: 17.3mm  
Copper-plated Steel Pipe  
Copper Plating Thickness 0.04-0.08mm

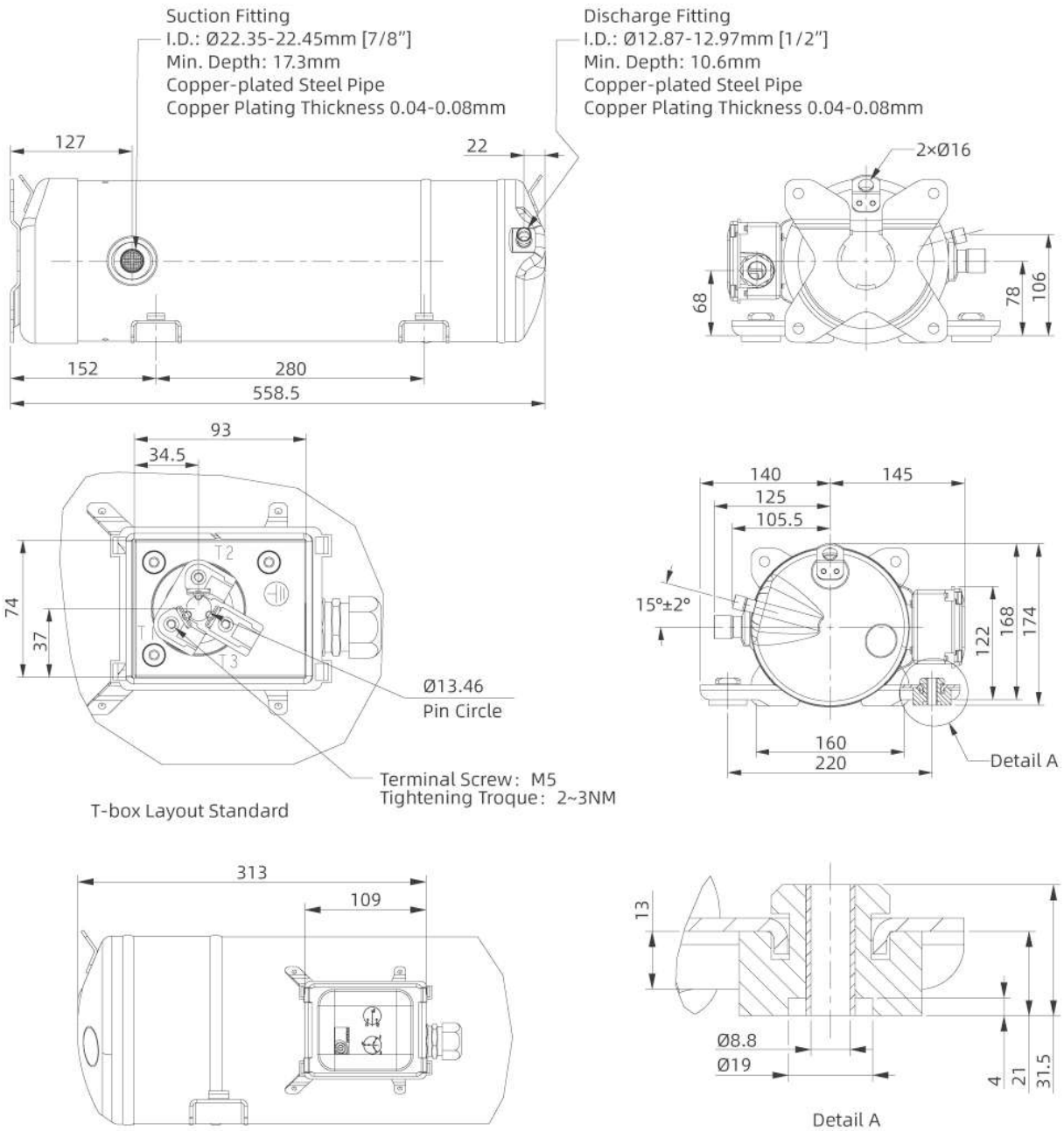


Mounting Feet

# YMZ Series

## Product Dimensions

YMZ46/YMZ83



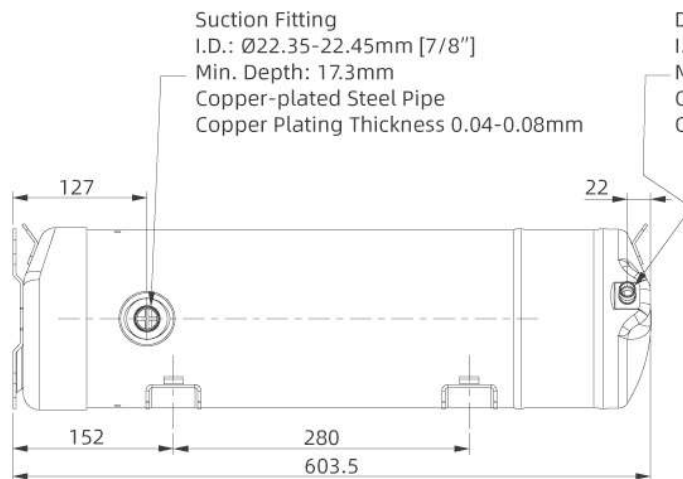
**NOTES**

1. ALL TOLERANCES UNLESS OTHERWISE SPECIFIED:  $\pm 2\text{mm}$
2. TUBE ENDS MUST BE PLUGGED

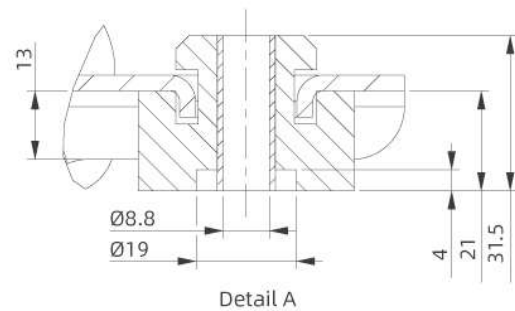
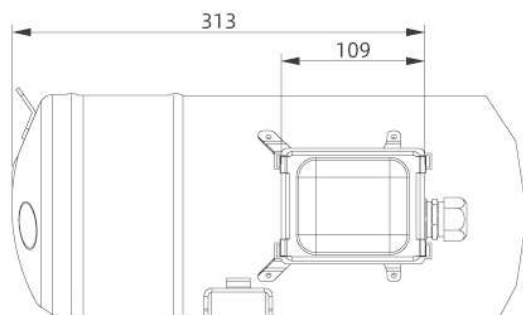
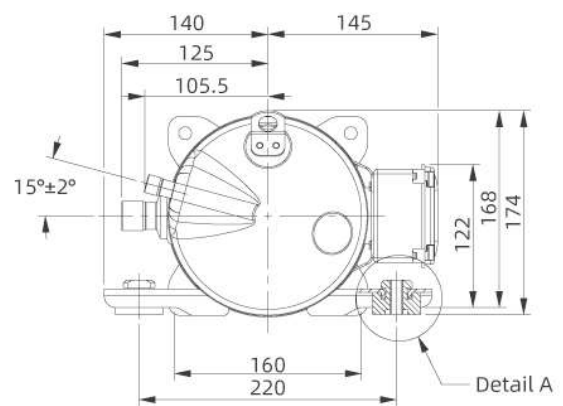
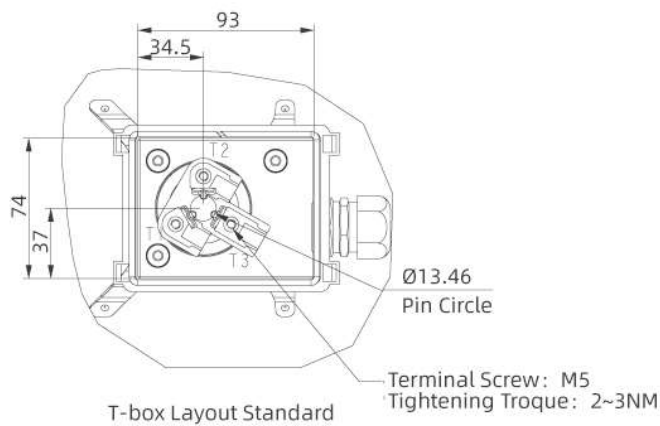
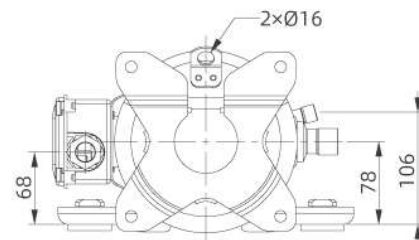
# YMZ Series

## Product Dimensions

YMZ110

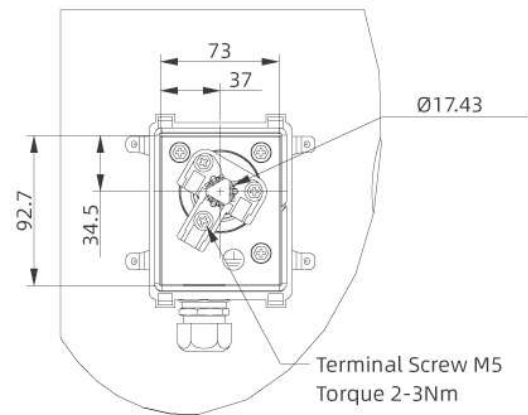
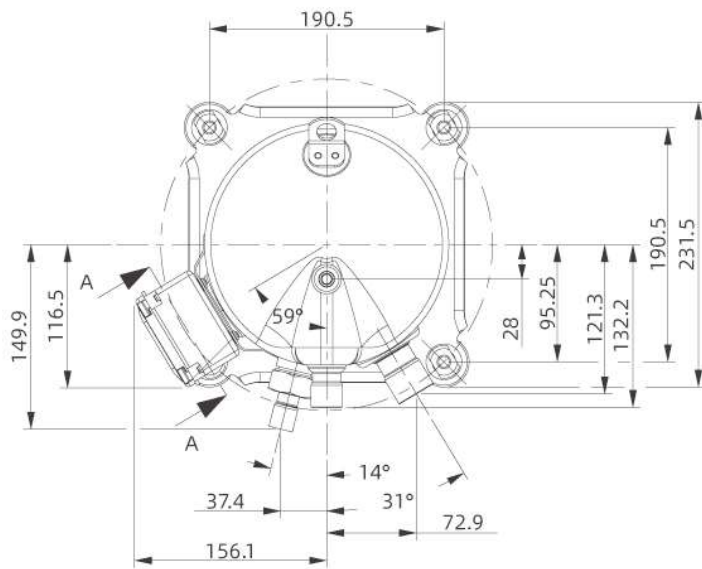


Discharge Fitting  
 I.D.: Ø12.87-12.97mm [1/2"]  
 Min. Depth: 10.6mm  
 Copper-plated Steel Pipe  
 Copper Plating Thickness 0.04-0.08mm

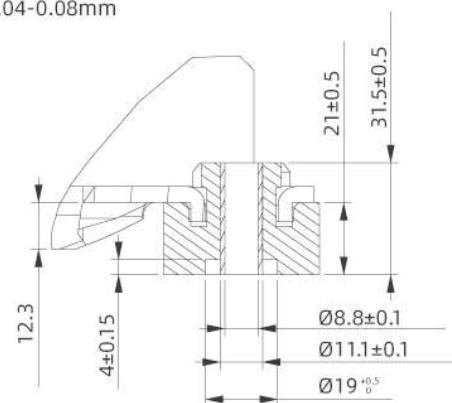
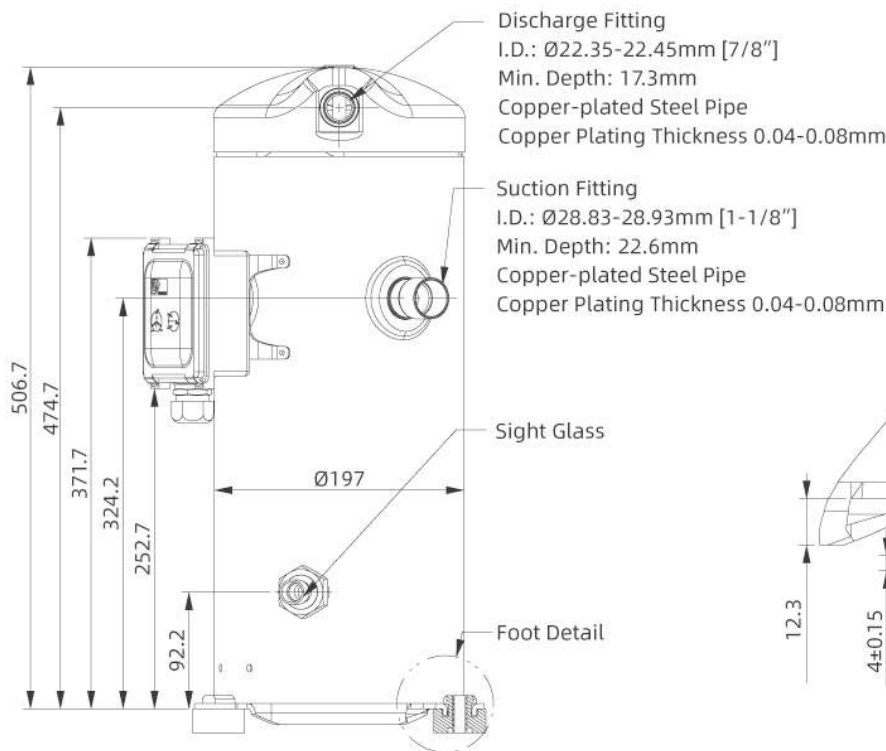


### NOTES

1. ALL TOLERANCES UNLESS OTHERWISE SPECIFIED: ±2mm
2. TUBE ENDS MUST BE PLUGGED



T-Box Layout View A-A

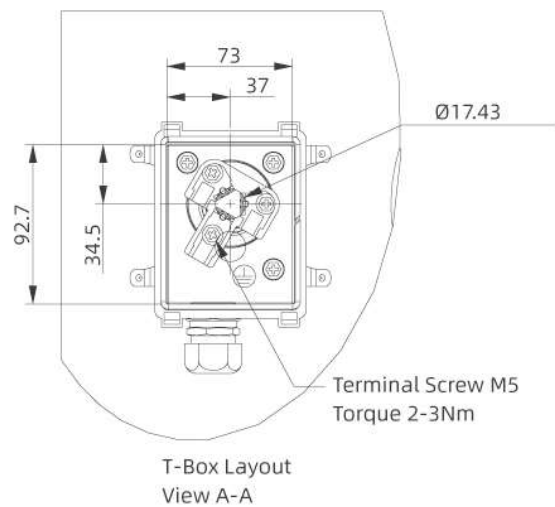
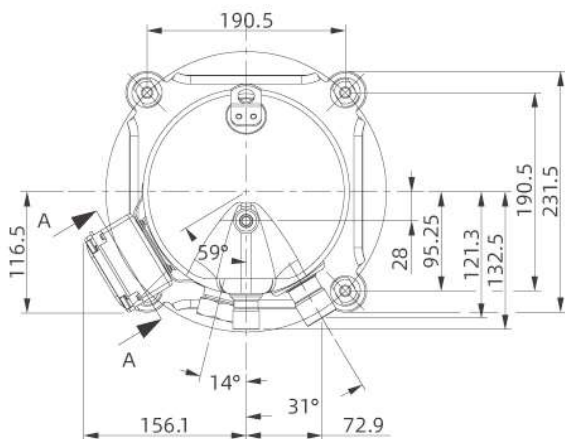
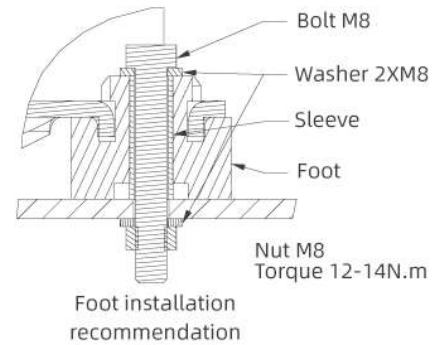
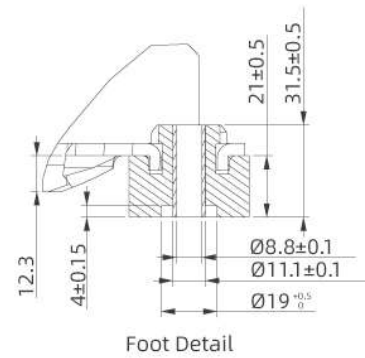
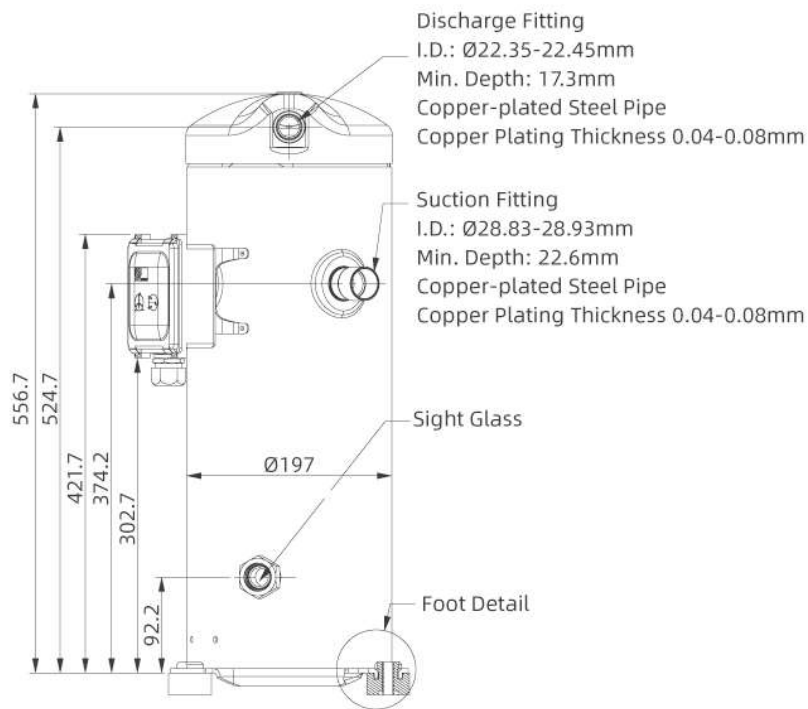


Foot Detail

# YM Series

## Product Dimensions

YM240



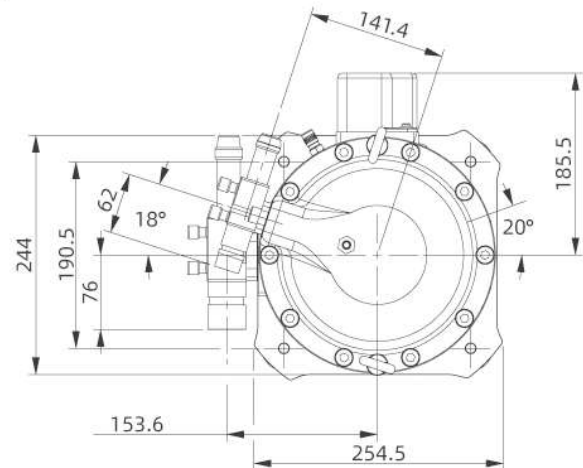
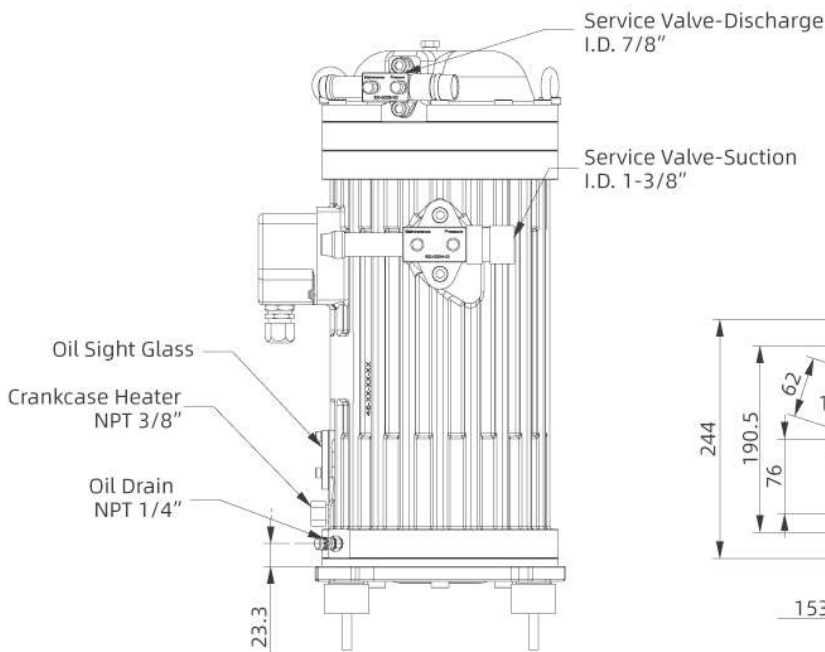
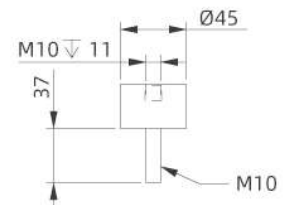
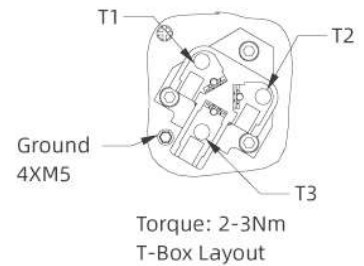
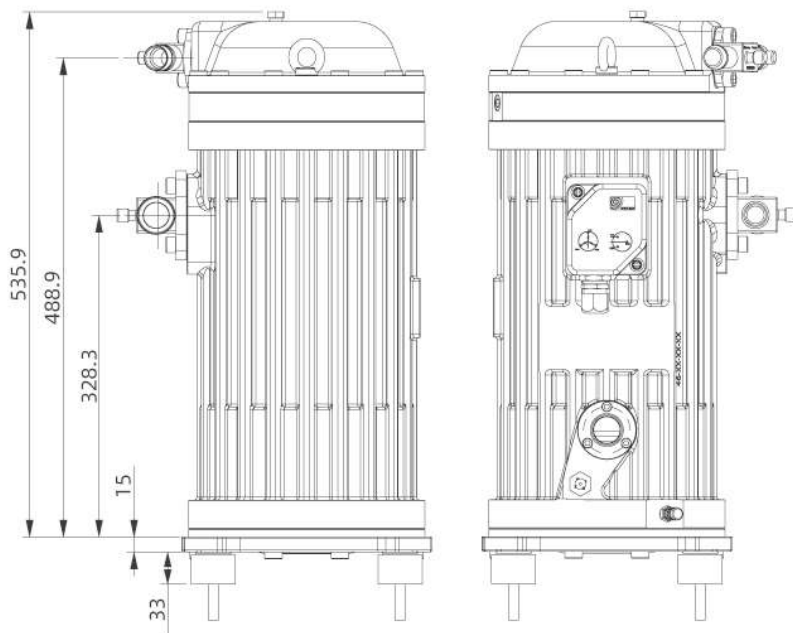
### NOTES

1. ALL TOLERANCES UNLESS OTHERWISE SPECIFIED:  $\pm 2\text{mm}$
2. TUBE ENDS MUST BE PLUGGED

# YSM Series

## Product Dimensions

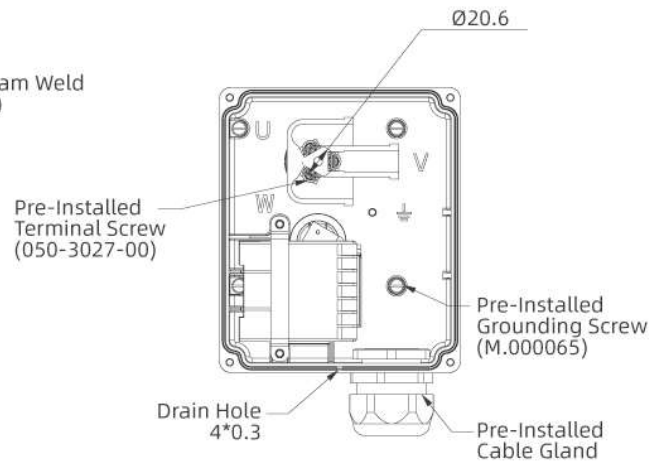
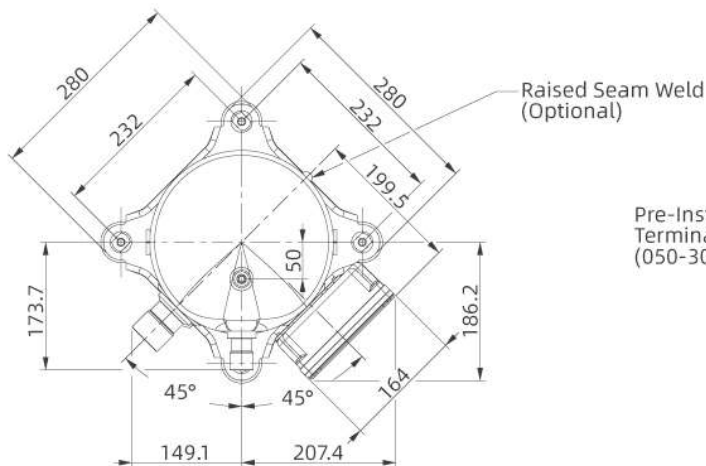
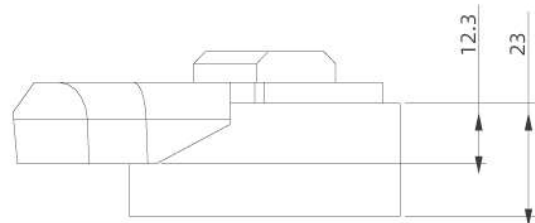
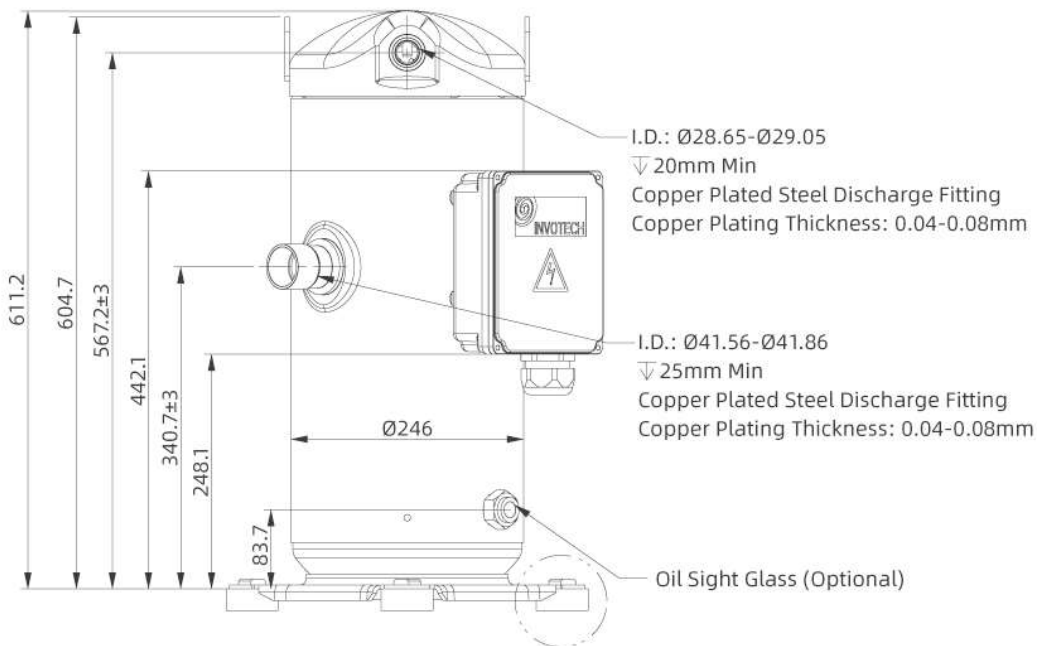
YSM235/YSM260

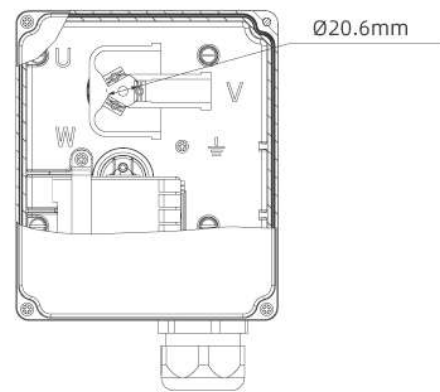
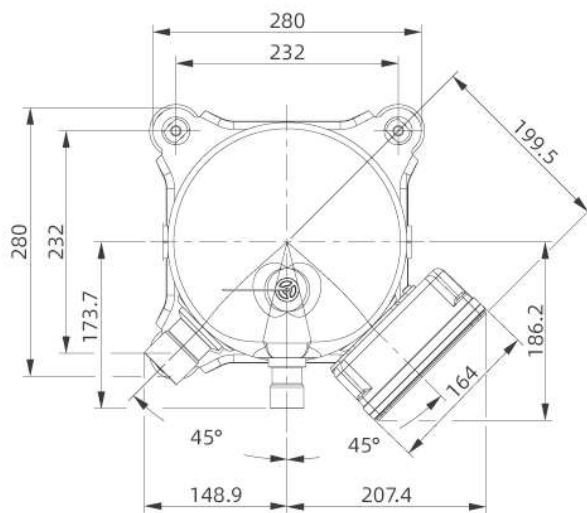
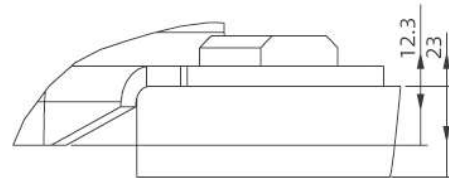
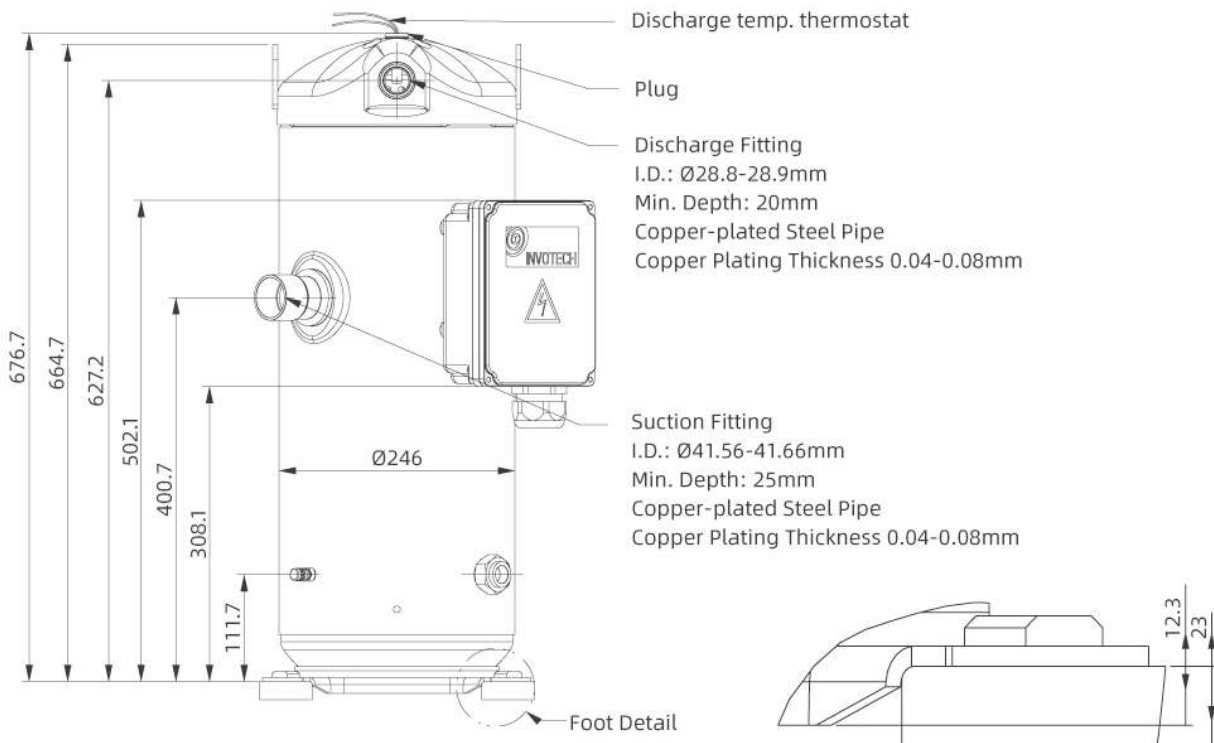


# YM Series

## Product Dimensions

YM260

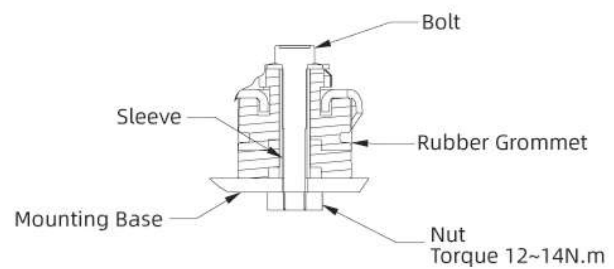
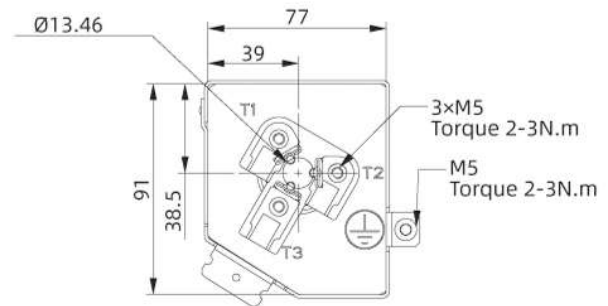
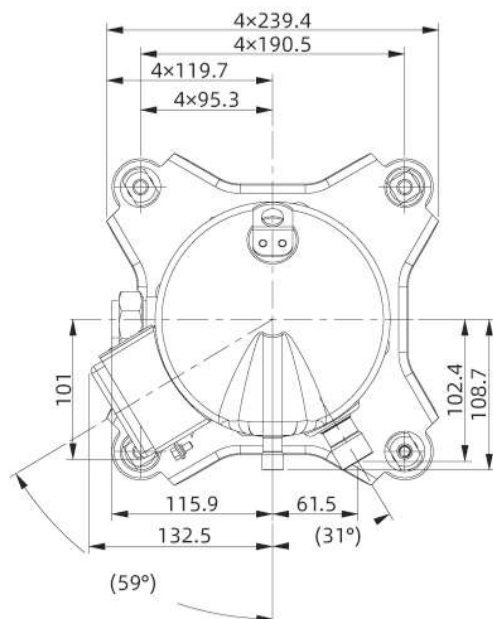
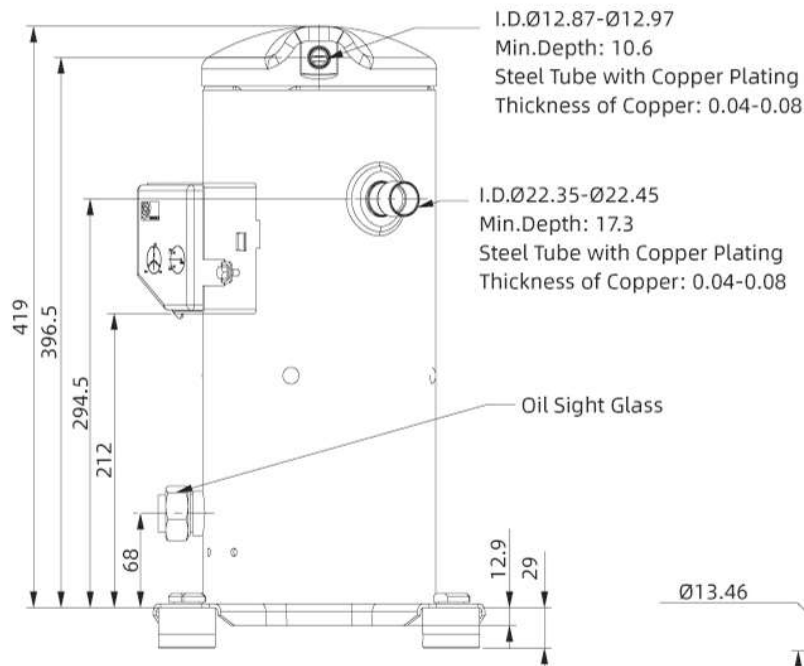




# YIM Series

## Product Dimensions

YIM38-72







**Souzhou Invotech Scroll Technologies Co., Ltd.**

No. 5, Yintong Road, Changshu City, Jiangsu Province, P.R. China

Email: [scroll@invotech.cn](mailto:scroll@invotech.cn)

[www.invotech.cn](http://www.invotech.cn)