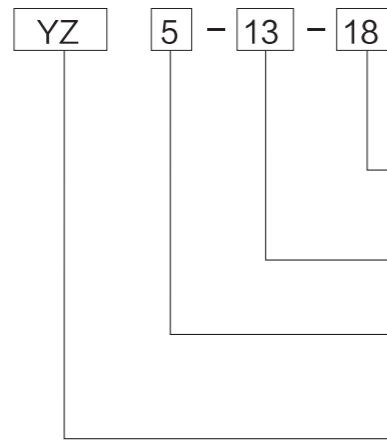


# YZ Series

## PRODUCT OVERVIEW

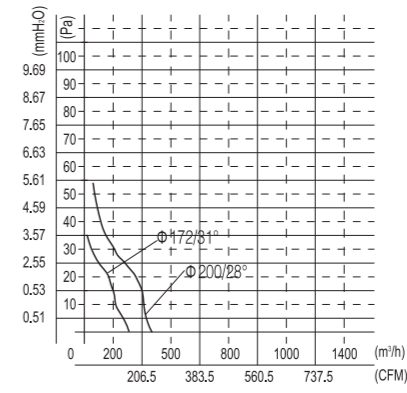
- ①YZ系列电机为单相和四极的罩极式电动机，额定电压和频率为220-240V,50/60Hz或110-120V,60Hz。广泛应用于散热器、蒸发器等制冷设备。
- ②电机的输出功率范围从5W到34W，通过改变铁芯厚度来调整电机的输出功率。
- ③电机的绝缘等级为B级，防护等级为IP42。可根据客户要求生产防护等级为IP44的电机。
- ④输出功率在10W以下的电机采用阻抗保护，输出功率大于10W的电机采用热保护器，热保护器的断开温度为135°C±5°C。
- ⑤电机适用的环境温度为-30°C至+60°C。
- ⑥由于我厂生产的标准电机是采用含油轴承，所以建议使用水平方式安装电机。同时我们也可根据客户要求生产滚珠轴承的电机。
- ⑦我司生产的电机均已通过 CCC, CE, VDE, UL, RoHS, EX 认证。

- ①YZ series motors are shaded pole motors with single-phrase and four-pole, and running at the rated voltage/frequency of 220-240V, 50/60Hz or 110-120V, 60Hz. They are widely applied to radiators, evaporators and other refrigeration equipments.
- ②The output power is from 5W to 34W, which can be adjusted according to the stack length.
- ③The insulation class of the motors is B, and the protection class of that is IP42. And we can supply motors with IP44 protection class as per clients' requirement.
- ④Motors of output power below 10W have impedance protection, and motors of output power above 10W have thermal protectors whose cut-off temperature is 135°C±5°C.
- ⑤The applicable environment temperature of the motors is from -30°C to +60°C.
- ⑥We recommend horizontal installation as our standard motors have oil bearings. In the meanwhile, we can produce motors with ball bearings according to clients' need.
- ⑦All of the shaded pole motors have attained CCC, CE, VDE, UL, RoHS, EX certificates.

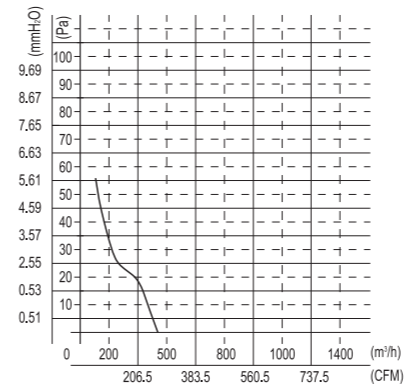


### 型号说明 Illustration of Model

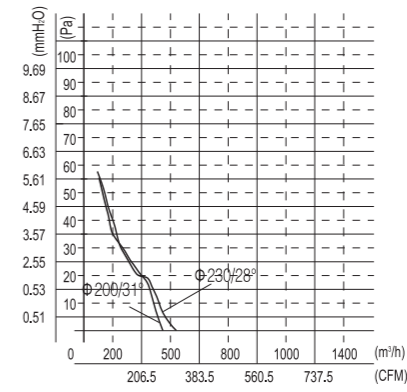
- YZ 支架螺丝间距  
Space between two screws
- 5 铁芯厚度  
Stack Length
- 13 额定输出功率  
Rated output power
- 18 单相交流感应罩极电动机  
Shaded pole motor with single phase and alternating current



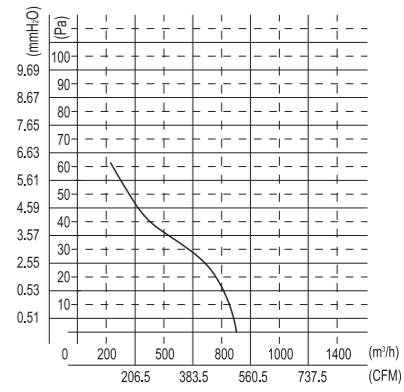
YZ 5-13 50Hz Air Flow 空气量



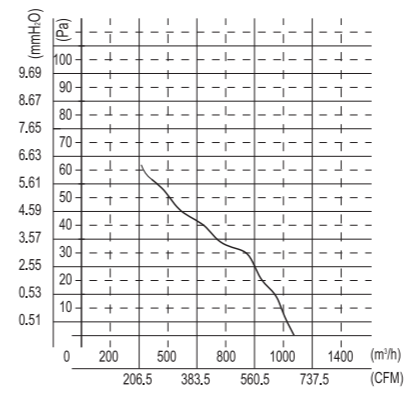
YZ 7-20 50Hz Φ200/31° Air Flow 空气量



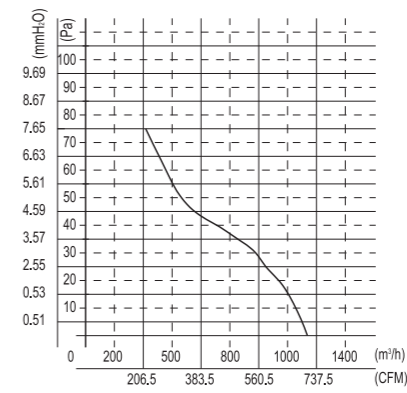
YZ 10-20 50Hz Air Flow 空气量



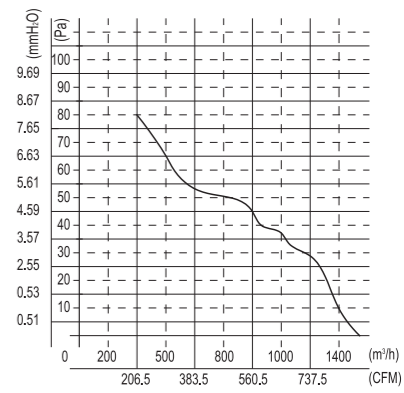
YZ 16-25 50Hz Φ254/28° Air Flow 空气量



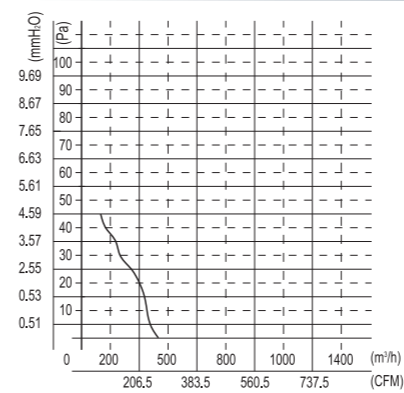
YZ 18-30 50Hz Φ300/22° Air Flow 空气量



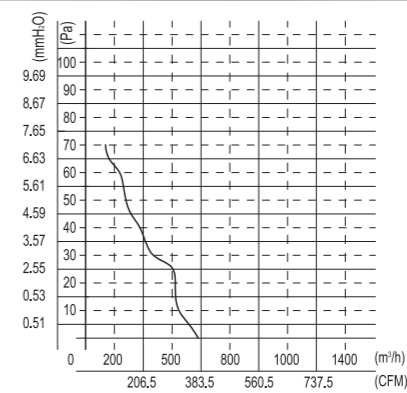
YZ 25-40 50Hz Φ300/25° Air Flow 空气量



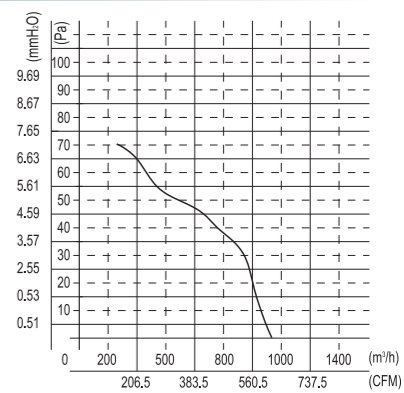
YZ 34-45 50Hz Φ300/28° Air Flow 空气量



YZ 6-13 60Hz Φ200/28° Air Flow 空气量



YZ 10-20 60Hz Φ230/28° Air Flow 空气量



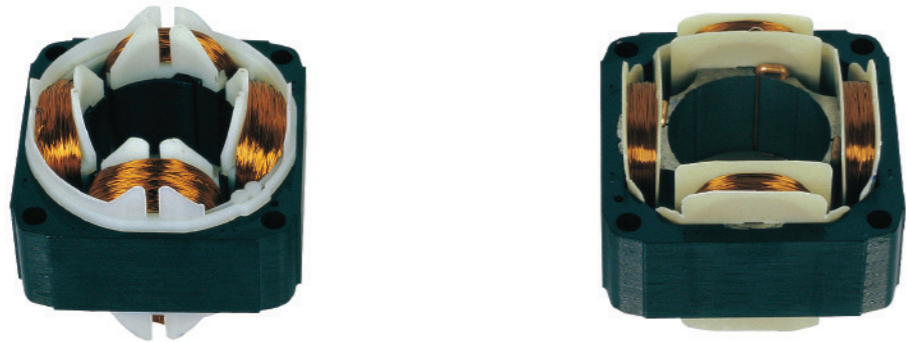
YZ 16-25 60Hz Φ254/28° Air Flow 空气量

## 线圈内部结构比较

### COMPARISON OF THE INTERNAL STRUCTURE OF THE COIL

与分体电机相比，连体电机所含铜线量多，结构更先进，这种先进的结构使得电机的效率更高，性能更好，使用寿命更长。因此，连体电机深受顾客的喜爱，远销欧美。

The complete winding motor has more copper wire, and a motor of such advanced construction is more efficient, and it has better performance and longer life-span than the part winding motor. Therefore, the complete winding motor enjoys great popularity in Europe and America.



## 端盖结构区别

### COMPARISON OF THE COVER STRUCTURE

#### 含油轴承Oil bearing:

含油轴承使用美国进口的284#普马威克油。采用含油轴承的电机噪音低，使用寿命长。电机适用的环境温度为-30℃ 至 +100℃。

The oil used for the oil bearing is PERMAWICK # 284 which is imported from America. A motor with this bearing has low noise and long working life. And its applicable temperature is from -30℃ to +100℃.

#### 滚珠轴承Ball bearing:

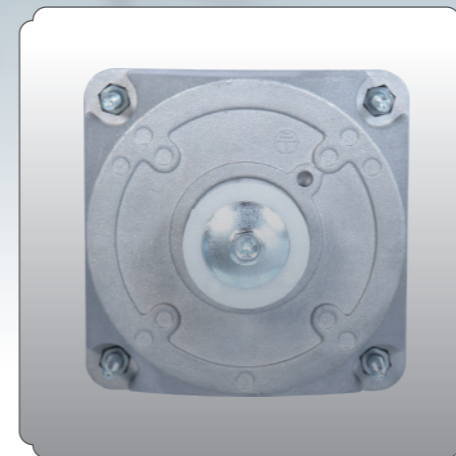
滚珠轴承结构先进，采用此种优质轴承使电机具有更高的效率，更好的性能，更低的噪音，更长的寿命。电机适用的环境温度为-40℃ 至 +100℃。

With advanced construction, this high quality bearing gives the motor high energy efficiency, great performance, low noise and a long working life. Its applicable temperature is from -40℃ to +100℃.



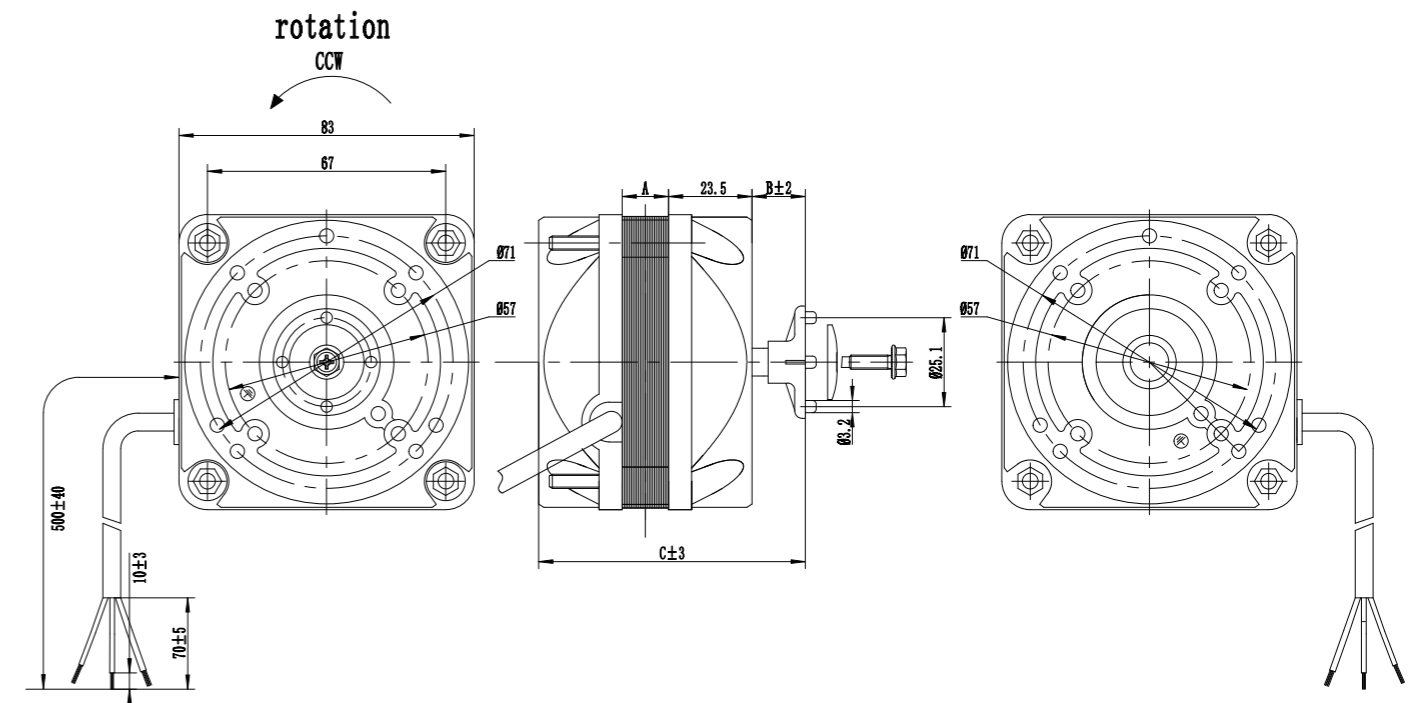
## SHADED POLE MOTORS

## YZ00 (Ball Bearing)



工作方式: S1  
 绝缘等级: B级  
 防护等级: IP42、IP44  
 环境温度: -30℃~60℃

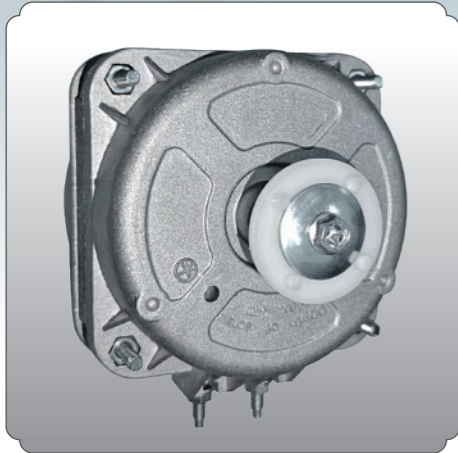
Working mode: S1  
 Insulation class: Class B  
 Protection level: IP42、IP44  
 Ambient temperature: -30℃~60℃



TYPE	VOLTAGE V	FREQUENCY Hz	RATED INPUT W	OUTPUT W	RATED CURRENT A	RATED SPEED r/min	FAN BLADE mm	WEIGHT kg	QTY/CTN pcs	A mm	B mm	C mm	LICENSE
YZ5-13-00	220-240	50/60	33	5	0.2	1300	φ200	0.8	24	13	19	79	CE VDE CCC UL ATEX
	110-120	60	33	5	0.4	1550	φ200	0.8	24	13	19	79	
YZ7-20-00	220-240	50/60	38	7	0.25	1300	φ230	1.1	24	19	20	86	
	110-120	60	38	7	0.5	1550	φ230	1.1	24	19	20	86	
YZ10-20-00	220-240	50/60	40	10	0.3	1300	φ230	1.1	24	19	20	86	
	110-120	60	40	10	0.6	1550	φ230	1.1	24	19	20	86	
YZ16-25-00	220-240	50/60	60	16	0.4	1300	φ250	1.4	12	25	19	91	
	110-120	60	60	16	0.8	1550	φ250	1.4	12	25	19	91	
YZ18-30-00	220-240	50/60	75	18	0.5	1300	φ250	1.5	12	30	22	99	
	110-120	60	75	18	1	1550	φ250	1.5	12	30	22	99	
YZ25-40-00	220-240	50/60	100	25	0.7	1300	φ300	1.8	12	40	21	108	
	110-120	60	100	25	1.4	1550	φ300	1.8	12	40	21	108	
YZ34-45-00	220-240	50/60	120	34	0.8	1300	φ300	2.0	12	45	25	117	
	110-120	60	120	34	1.6	1550	φ300	2.0	12	45	25	117	

SHADED POLE MOTORS

YZ18new (Sleeve Bearing)

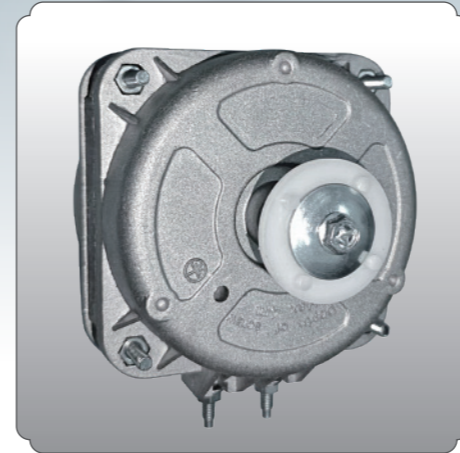


工作方式: S1  
 绝缘等级: B级  
 防护等级: IP42、IP44  
 环境温度: -30°C~60°C

Working mode: S1  
 Insulation class: Class B  
 Protection level: IP42、IP44  
 Ambient temperature: -30°C~60°C

SHADED POLE MOTORS

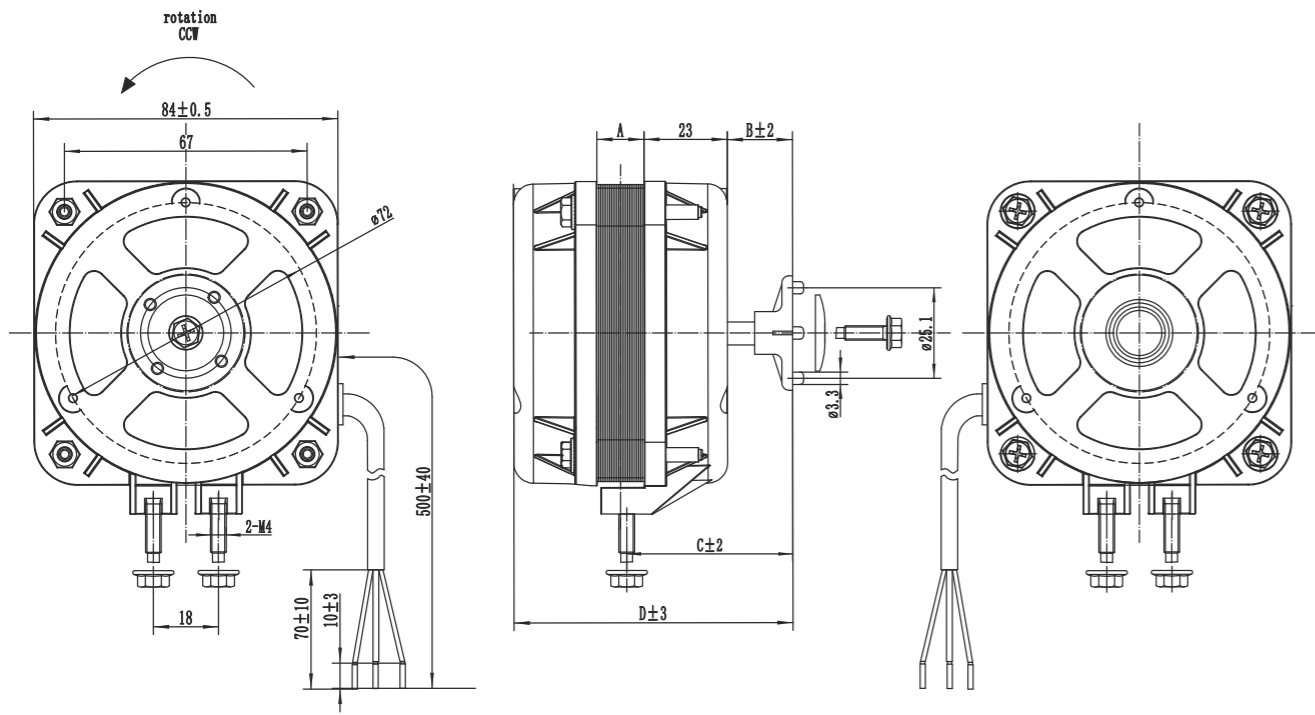
YZ26new (Sleeve Bearing)



工作方式: S1  
 绝缘等级: B级  
 防护等级: IP42、IP44  
 环境温度: -30°C~60°C

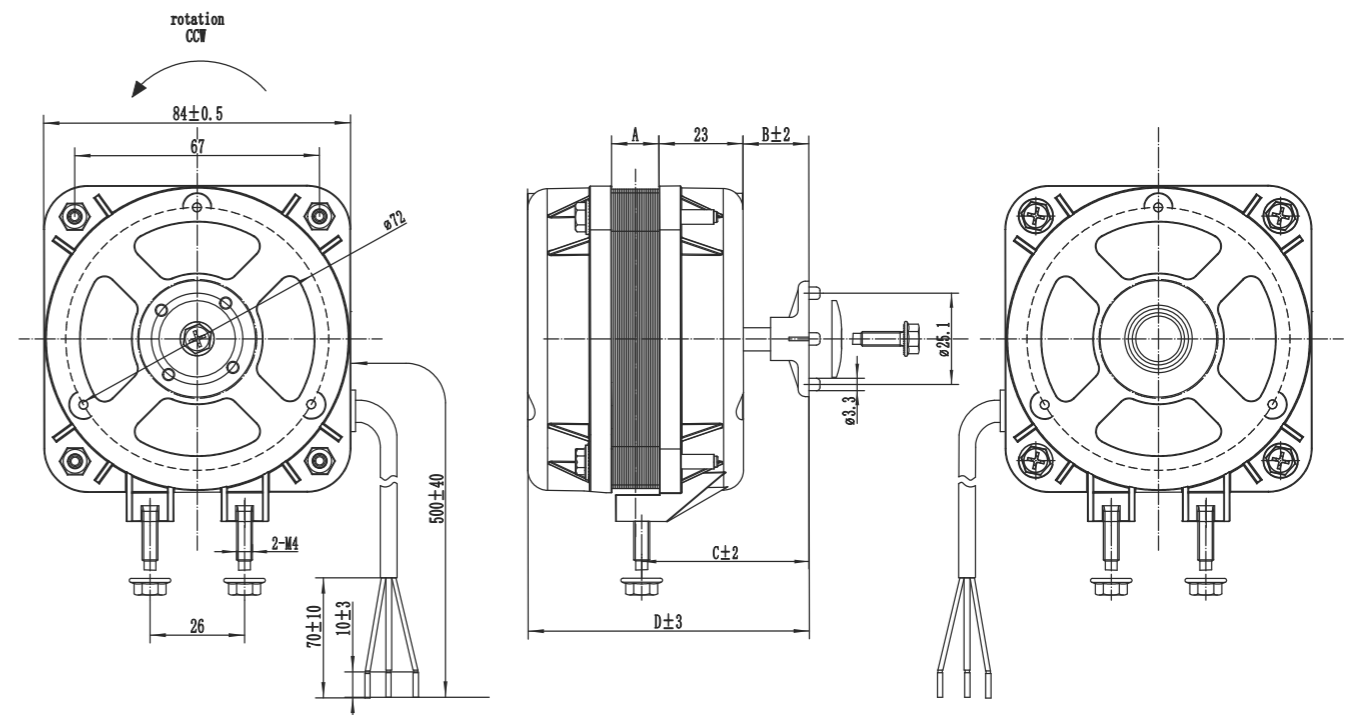
Working mode: S1  
 Insulation class: Class B  
 Protection level: IP42、IP44  
 Ambient temperature: -30°C~60°C

SAWEL Motor



TYPE	VOLTAGE V	FREQUENCY Hz	RATED INPUT W	OUTPUT W	RATED CURRENT A	RATED SPEED r/min	FAN BLADE mm	WEIGHT kg	QTY/CTN pcs	A mm	B mm	C mm	D mm	LICENSE
YZ5-13-18	220-240	50/60	33	5	0.2	1300	$\phi 200$	0.8	24	13	18	46	77	CE VDE CCC UL ATEX
	110-120	60	33	5	0.4	1550	$\phi 200$	0.8	24	13	18	46	77	
YZ7-20-18	220-240	50/60	38	7	0.25	1300	$\phi 230$	1.1	24	19	19	47	84	
	110-120	60	38	7	0.5	1550	$\phi 230$	1.1	24	19	19	47	84	
YZ10-20-18	220-240	50/60	40	10	0.3	1300	$\phi 230$	1.1	24	19	19	47	84	
	110-120	60	40	10	0.6	1550	$\phi 230$	1.1	24	19	19	47	84	
YZ16-25-18	220-240	50/60	60	16	0.4	1300	$\phi 250$	1.4	12	25	24	52	95	
	110-120	60	60	16	0.8	1550	$\phi 250$	1.4	12	25	24	52	95	
YZ18-30-18	220-240	50/60	75	18	0.5	1300	$\phi 250$	1.5	12	30	25	53	101	
	110-120	60	75	18	1	1550	$\phi 250$	1.5	12	30	25	53	101	
YZ25-40-18	220-240	50/60	100	25	0.7	1300	$\phi 300$	1.8	12	40	26	54	112	
	110-120	60	100	25	1.4	1550	$\phi 300$	1.8	12	40	26	54	112	
YZ34-45-18	220-240	50/60	120	34	0.8	1300	$\phi 300$	2.0	12	45	30	58	121	
	110-120	60	120	34	1.6	1550	$\phi 300$	2.0	12	45	30	58	121	

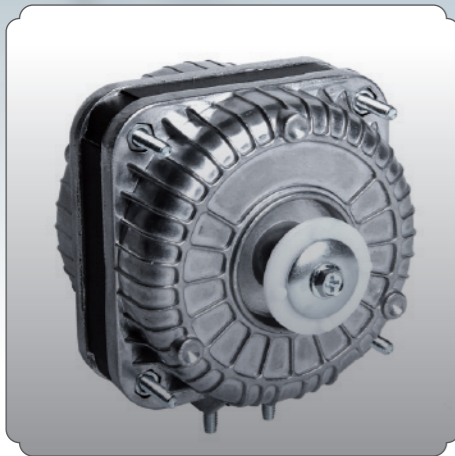
COMBELL Motor



TYPE	VOLTAGE V	FREQUENCY Hz	RATED INPUT W	OUTPUT W	RATED CURRENT A	RATED SPEED r/min	FAN BLADE mm	WEIGHT kg	QTY/CTN pcs	A mm	B mm	C mm	D mm	LICENSE
YZ5-13-26	220-240	50/60	33	5	0.2	1300	$\phi 200$	0.8	24	13	18	46	77	CE VDE CCC UL ATEX
	110-120	60	33	5	0.4	1550	$\phi 200$	0.8	24	13	18	46	77	
YZ7-20-26	220-240	50/60	38	7	0.25	1300	$\phi 230$	1.1	24	19	19	47	84	
	110-120	60	38	7	0.5	1550	$\phi 230$	1.1	24	19	19	47	84	
YZ10-20-26	220-240	50/60	40	10	0.3	1300	$\phi 230$	1.1	24	19	19	47	84	
	110-120	60	40	10	0.6	1550	$\phi 230$	1.1	24	19	19	47	84	
YZ16-25-26	220-240	50/60	60	16	0.4	1300	$\phi 250$	1.4	12	25	24	52	95	
	110-120	60	60	16	0.8	1550	$\phi 250$	1.4	12	25	24	52	95	
YZ18-30-26	220-240	50/60	75	18	0.5	1300	$\phi 250$	1.5	12	30	25	53	101	
	110-120	60	75	18	1	1550	$\phi 250$	1.5	12	30	25	53	101	
YZ25-40-26	220-240	50/60	100	25	0.7	1300	$\phi 300$	1.8	12	40	26	54	112	
	110-120	60	100	25	1.4	1550	$\phi 300$	1.8	12	40	26	54	112	
YZ34-45-26	220-240	50/60	120	34	0.8	1300	$\phi 300$	2.0	12	45	30	58	121	
	110-120	60	120	34	1.6	1550	$\phi 300$	2.0	12	45	30	58	121	

SHADED POLE MOTORS

YZ18 (Sleeve / Ball Bearing)



工作方式: S1  
 绝缘等级: B级  
 防护等级: IP42、IP44  
 环境温度: -30°C~60°C

Working mode: S1  
 Insulation class: Class B  
 Protection level: IP42、IP44  
 Ambient temperature: -30°C~60°C

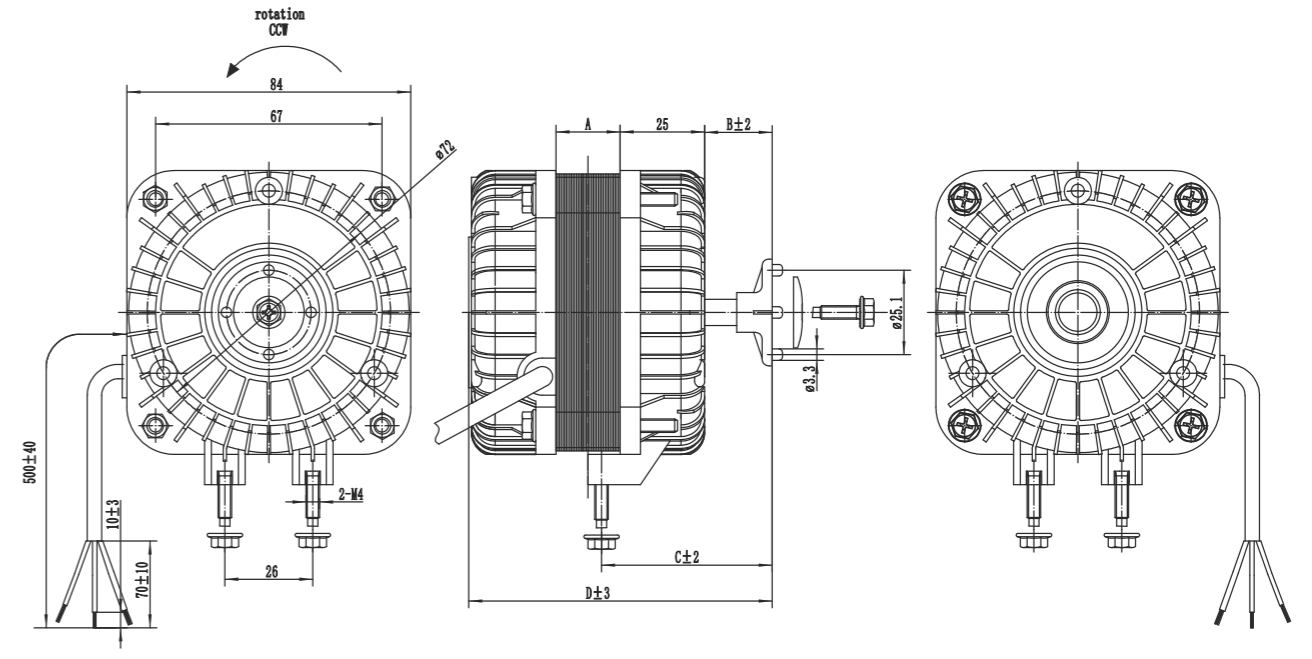
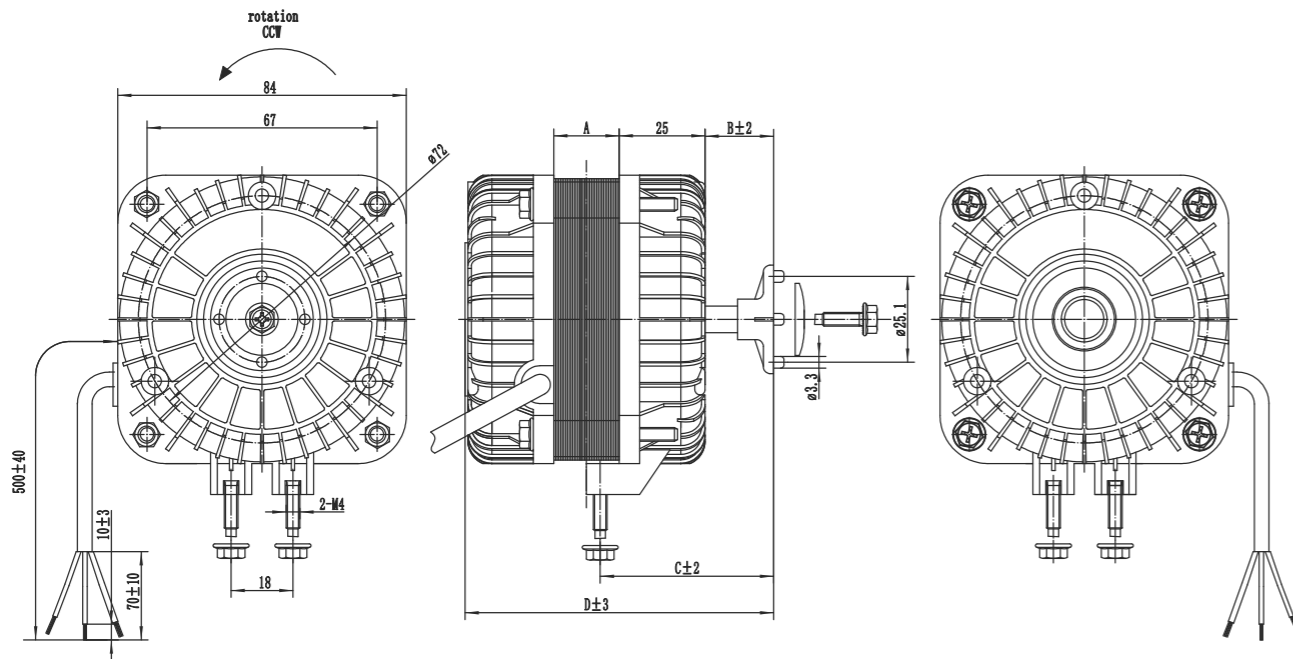
SHADED POLE MOTORS

YZ26 (Sleeve Bearing)



工作方式: S1  
 绝缘等级: B级  
 防护等级: IP42、IP44  
 环境温度: -30°C~60°C

Working mode: S1  
 Insulation class: Class B  
 Protection level: IP42、IP44  
 Ambient temperature: -30°C~60°C

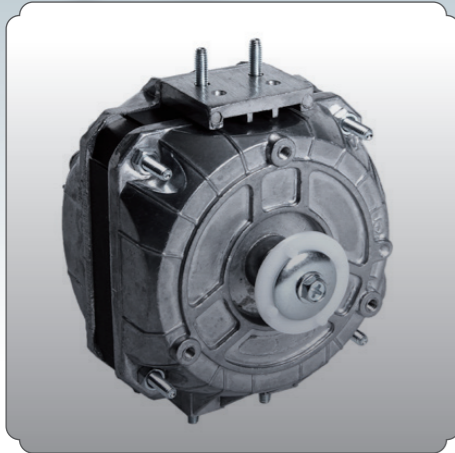


TYPE	VOLTAGE V	FREQUENCY Hz	RATED INPUT W	OUTPUT W	RATED CURRENT A	RATED SPEED r/min	FAN BLADE mm	WEIGHT kg	QTY/CTN pcs	A mm	B mm	C mm	D mm	LICENSE
YZ5-13-18	220-240	50/60	33	5	0.2	1300	φ200	0.8	24	13	16	44	81	CE VDE CCC UL ATEX
	110-120	60	33	5	0.4	1550	φ200	0.8	24	13	16	44	81	
YZ7-20-18	220-240	50/60	38	7	0.25	1300	φ230	1.1	24	19	15	43	85	
	110-120	60	38	7	0.5	1550	φ230	1.1	24	19	15	43	85	
YZ10-20-18	220-240	50/60	40	10	0.3	1300	φ230	1.1	24	19	15	43	85	
	110-120	60	40	10	0.6	1550	φ230	1.1	24	19	15	43	85	
YZ16-25-18	220-240	50/60	60	16	0.4	1300	φ250	1.4	12	25	20	48	97	
	110-120	60	60	16	0.8	1550	φ250	1.4	12	25	20	48	97	
YZ18-30-18	220-240	50/60	75	18	0.5	1300	φ250	1.5	12	30	21	49	103	
	110-120	60	75	18	1	1550	φ250	1.5	12	30	21	49	103	
YZ25-40-18	220-240	50/60	100	25	0.7	1300	φ300	1.8	12	40	22	50	114	
	110-120	60	100	25	1.4	1550	φ300	1.8	12	40	22	50	114	
YZ34-45-18	220-240	50/60	120	34	0.8	1300	φ300	2.0	12	45	26	54	123	
	110-120	60	120	34	1.6	1550	φ300	2.0	12	45	26	54	123	

TYPE	VOLTAGE V	FREQUENCY Hz	RATED INPUT W	OUTPUT W	RATED CURRENT A	RATED SPEED r/min	FAN BLADE mm	WEIGHT kg	QTY/CTN pcs	A mm	B mm	C mm	D mm	LICENSE
YZ5-13-26	220-240	50/60	33	5	0.2	1300	φ200	0.8	24	13	16	44	81	CE VDE CCC UL ATEX
	110-120	60	33	5	0.4	1550	φ200	0.8	24	13	16	44	81	
YZ7-20-26	220-240	50/60	38	7	0.25	1300	φ230	1.1	24	19	15	43	85	
	110-120	60	38	7	0.5	1550	φ230	1.1	24	19	15	43	85	
YZ10-20-26	220-240	50/60	40	10	0.3	1300	φ230	1.1	24	19	15	43	85	
	110-120	60	40	10	0.6	1550	φ230	1.1	24	19	15	43	85	
YZ16-25-26	220-240	50/60	60	16	0.4	1300	φ250	1.4	12	25	20	48	97	
	110-120	60	60	16	0.8	1550	φ250	1.4	12	25	20	48	97	
YZ18-30-26	220-240	50/60	75	18	0.5	1300	φ250	1.5	12	30	21	49	103	
	110-120	60	75	18	1	1550	φ250	1.5	12	30	21	49	103	
YZ25-40-26	220-240	50/60	100	25	0.7	1300	φ300	1.8	12	40	22	50	114	
	110-120	60	100	25	1.4	1550	φ300	1.8	12	40	22	50	114	
YZ34-45-26	220-240	50/60	120	34	0.8	1300	φ300	2.0	12	45	26	54	123	
	110-120	60	120	34	1.6	1550	φ300	2.0	12	45	26	54	123	

SHADED POLE MOTORS

YZ18/26 4Q (Sleeve / Ball Bearing)

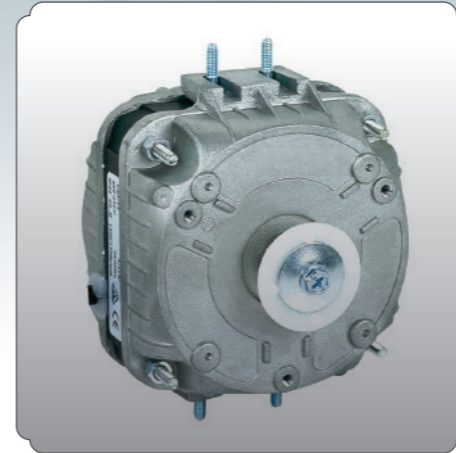


工作方式: S1  
 绝缘等级: B级  
 防护等级: IP42、IP44  
 环境温度: -30°C~60°C

Working mode: S1  
 Insulation class: Class B  
 Protection level: IP42、IP44  
 Ambient temperature: -30°C~ 60°C

SHADED POLE MOTORS

YZ18/26 ITALY (Sleeve Bearing)

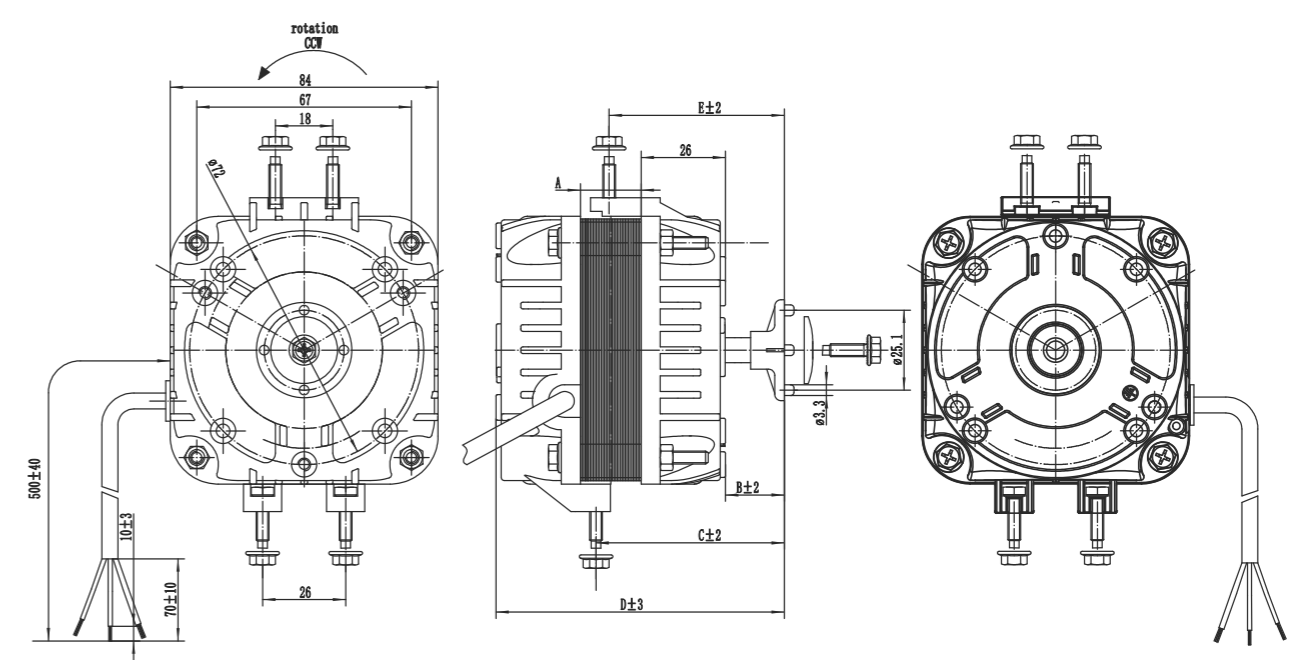
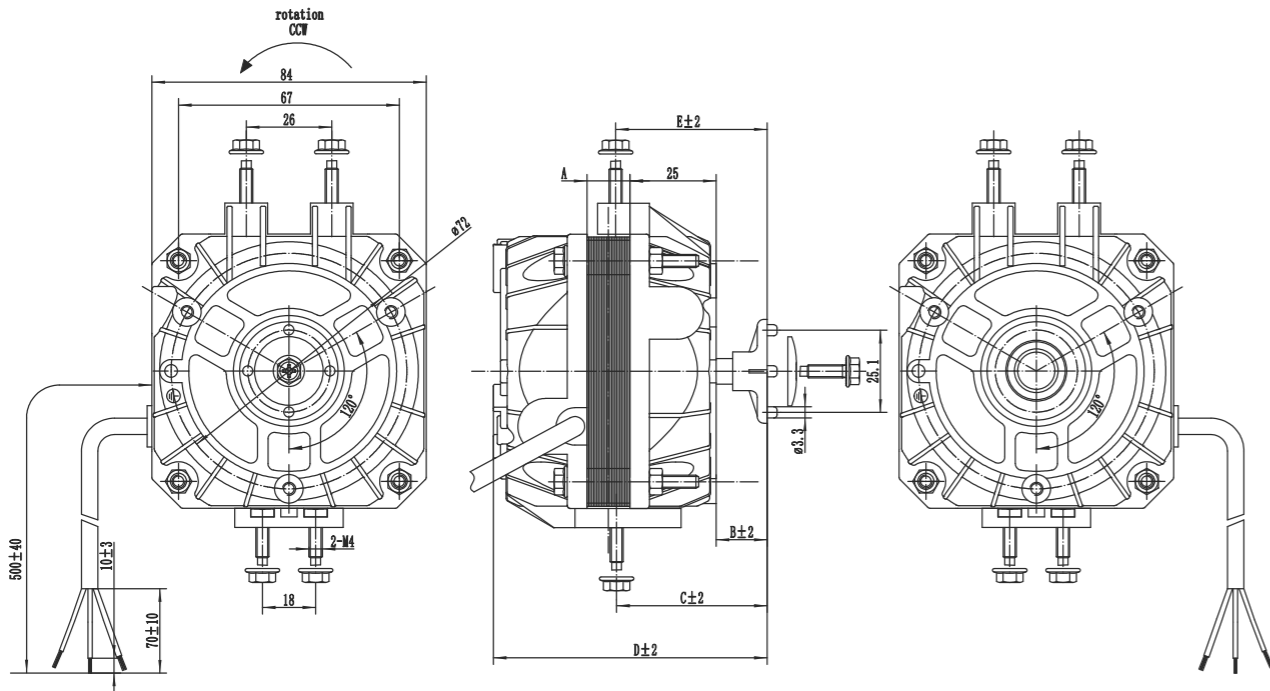


工作方式: S1  
 绝缘等级: B级  
 防护等级: IP42、IP44  
 环境温度: -30°C~60°C

Working mode: S1  
 Insulation class: Class B  
 Protection level: IP42、IP44  
 Ambient temperature: -30°C~ 60°C

SAIWEI  
Motor

COMBELL  
Motor



TYPE	VOLTAGE V	FREQUENCY Hz	RATED INPUT W	OUTPUT W	RATED CURRENT A	RATED SPEED r/min	FAN BLADE mm	WEIGHT kg	QTY/CTN pcs	A mm	B mm	C mm	D mm	E mm	LICENSE
YZ5-13-18/26	220-240	50/60	33	5	0.2	1300	φ200	0.8	24	13	16	46	81	46	CE VDE CCC UL ATEX
	110-120	60	33	5	0.4	1550	φ200	0.8	24	13	16	46	81	46	
YZ7-20-18/26	220-240	50/60	38	7	0.25	1300	φ230	1.1	24	19	17	53	88	47	
	110-120	60	38	7	0.5	1550	φ230	1.1	24	19	17	53	88	47	
YZ10-20-18/26	220-240	50/60	40	10	0.3	1300	φ230	1.1	24	19	17	53	88	47	
	110-120	60	40	10	0.6	1550	φ230	1.1	24	19	17	53	88	47	
YZ16-25-18/26	220-240	50/60	60	16	0.4	1300	φ250	1.4	12	25	22	64	99	52	
	110-120	60	60	16	0.8	1550	φ250	1.4	12	25	22	64	99	52	
YZ18-30-18/26	220-240	50/60	75	18	0.5	1300	φ250	1.5	12	30	23	70	105	53	
	110-120	60	75	18	1	1550	φ250	1.5	12	30	23	70	105	53	
YZ25-40-18/26	220-240	50/60	100	25	0.7	1300	φ300	1.8	12	40	24	81	116	54	
	110-120	60	100	25	1.4	1550	φ300	1.8	12	40	24	81	116	54	
YZ34-45-18/26	220-240	50/60	120	34	0.8	1300	φ300	2.0	12	45	28	90	125	58	
	110-120	60	120	34	1.6	1550	φ300	2.0	12	45	28	90	125	58	

TYPE	VOLTAGE V	FREQUENCY Hz	RATED INPUT W	OUTPUT W	RATED CURRENT A	RATED SPEED r/min	FAN BLADE mm	WEIGHT kg	QTY/CTN pcs	A mm	B mm	C mm	D mm	E mm	LICENSE
YZ5-13-18/26	220-240	50/60	33	5	0.2	1300	φ200	0.8	24	13	15	52	82	45	CE VDE CCC UL ATEX
	110-120	60	33	5	0.4	1550	φ200	0.8	24	13	15	52	82	45	
YZ7-20-18/26	220-240	50/60	38	7	0.25	1300	φ230	1.1	24	19	14	57	87	44	
	110-120	60	38	7	0.5	1550	φ230	1.1	24	19	14	57	87	44	
YZ10-20-18/26	220-240	50/60	40	10	0.3	1300	φ230	1.1	24	19	14	57	87	44	
	110-120	60	40	10	0.6	1550	φ230	1.1	24	19	14	57	87	44	
YZ16-25-18/26	220-240	50/60	60	16	0.4	1300	φ250	1.4	12	25	19	68	98	49	
	110-120	60	60	16	0.8	1550	φ250	1.4	12	25	19	68	98	49	
YZ18-30-18/26	220-240	50/60	75	18	0.5	1300	φ250	1.5	12	30	20	74	104	50	
	110-120	60	75	18	1	1550	φ250	1.5	12	30	20	74	104	50	
YZ25-40-18/26	220-240	50/60	100	25	0.7	1300	φ300	1.8	12	40	21	85	115	51	
	110-120	60	100	25	1.4	1550	φ300	1.8	12	40	21	85	115	51	
YZ34-45-18/26	220-240	50/60	120	34	0.8	1300	φ300	2.0	12	45	25	94	124	55	
	110-120	60	120	34	1.6	1550	φ300	2.0	12	45	25	94	124	55	