



杭州赛微电机有限公司  
Hangzhou Saiwei Motor Co., Ltd

杭州康钡电机有限公司  
Hangzhou Kangbei Motor Co., Ltd

杭州市临安区青山湖街道八百里路4999号 PC. 311305  
No.4999 Ba Bai Li Road, Qingshanhu Street, Lin'an District, Hangzhou City, P.R.China

Tel +86.571.886 518 37 Fax +86.571.886 518 11  
E-mail saiwei@hzwsmotor.com  
www.hzwsmotor.com



SAIWEI

杭州赛微电机有限公司  
HANGZHOU SAIWEI MOTOR CO., LTD



COMBELL

杭州康钡电机有限公司  
HANGZHOU KANGBEI MOTOR CO., LTD

**AXIAL FANS**

The most efficient and energy-saving  
EC fan motor

# SAIWEI MOTOR COMBELL MOTOR



Fans and motors  
for refrigeration, air-conditioning and ventilation

Quality is Our Life,  
Technology Innovation is Our Blood,  
Service is Our Mission,  
And Credit is Our Brand.

 **学**而不思则罔，  
LEARNING WITHOUT THINKING IS USELESS,

**思**而不学则殆。  
THINKING WITHOUT LEARNING IS PERILOUS.



杭州赛微电机有限公司  
Hangzhou Saiwei Motor Co., Ltd



杭州康钡电机有限公司  
Hangzhou Kangbei Motor Co., Ltd



杭州赛微电机有限公司坐落于人间天堂“杭州”，公司成立于2006年，集设计，研发，生产于一体，专业生产各类罩极电机，外转子风机，高效节能电机和风机，广泛运用于制冷，空调和通风等领域。公司致力于EC技术的研发，并在2011年成立了专门开发高效节能产品的杭州康钡电机有限公司。

企业通过ISO9001质量管理体系认证，ISO14001环境管理体系认证，ISO45001职业健康安全管理体系认证。产品通过CCC, CE, VDE, UL, TUV, EX, RoHS, Reach认证。

公司凭借可靠的质量，良好的信誉，完善的服务，合理的价格赢得了国内外客户的信赖和满意。我们将不断提高和完善自身，竭诚为新老客户提供优质的产品和良好的服务。

Hangzhou Saiwei Motor Co., Ltd. is located in Hangzhou —“ The Paradise on Earth”.

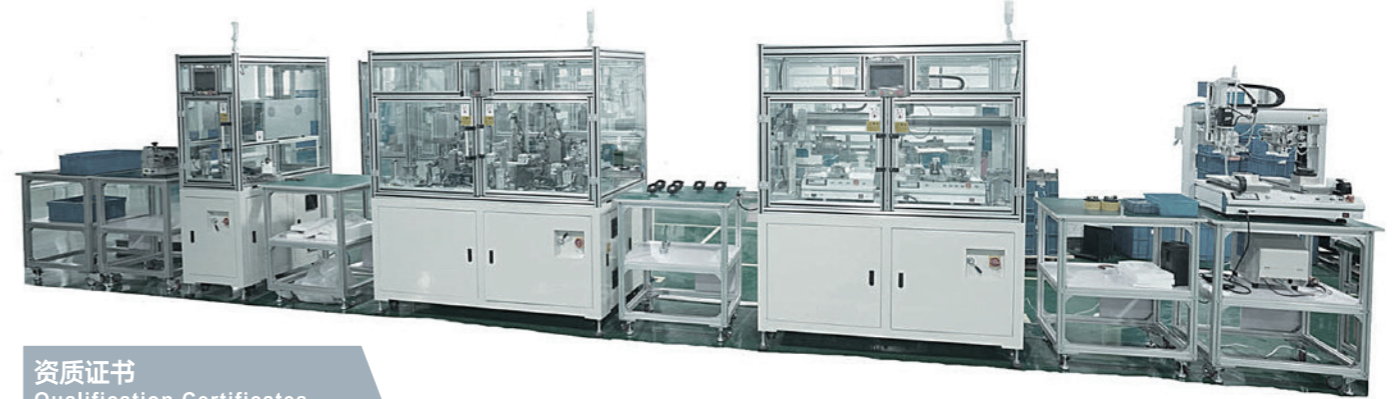
Founded in 2006, the company integrates design, research, development, and production, specializing in the production of various shaded pole motors, axial fan motors, EC fans and motors, widely used in refrigeration, air conditioning, and ventilation. The company is committed to the R&D of EC technology and In 2011, Hangzhou Kangbei Motor Co., Ltd. was established to specialize in developing efficient and energy-saving products.

The enterprise has obtained ISO9001, ISO14001, ISO45001 certification. And the products have been certified by CCC, CE, VDE, UL, TUV, EX, RoHS, and Reach.

Relying on creditable quality, good reputation, perfect service, and reasonable prices, the company has won the great confidence and popularity of the customers both at home and abroad. We will continuously improve and perfect ourselves to provide high-quality products and good services for our customers.

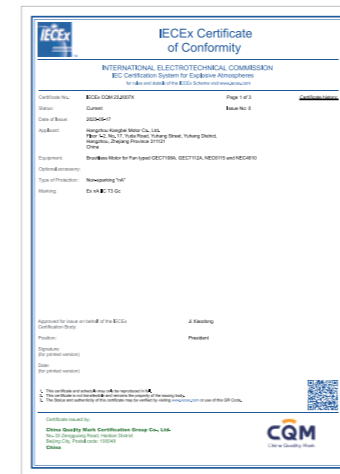
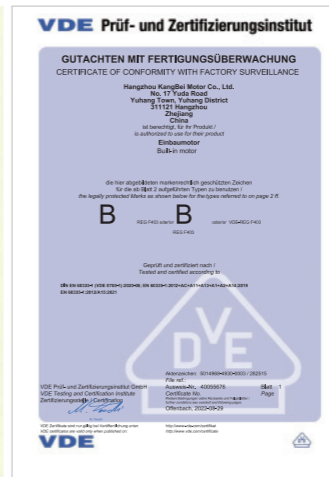
### 加工与检测设备 Equipment

具有自检能力和精密加工的半自动装配流水线可生产出高质量的电机。  
Semi automated assembly line with self checking capability and precision processing allows for high quality finished motors.



### 资质证书 Qualification Certificates

企业通过ISO9001, ISO14001, ISO45001体系认证。产品通过CCC, CE, VDE, UL, TUV, EX, RoHS, Reach认证。  
Enterprise certification: ISO9001, ISO14001, ISO45001.  
Products approval: CCC, CE, VDE, UL, TUV, EX, RoHS, and Reach.



## EC Axial Fan

### PRODUCT OVERVIEW

YWF系列直流外转子风机，是集创新设计与卓越性能于一身的颠覆性产品。它不仅结构紧凑、安装方便，而且运行可靠、噪音低，更以其节能高效的特点，成为冷凝器、蒸发器及设备及通风循环领域的最佳选择。

YWF系列直流风机以其F级绝缘和IP54防护等级，搭配软件保护器，确保了电机的耐用性和安全性。我们提供单相115V或220V，以及三相380V的电压选项，以满足不同客户的需求。电源引线的标准长度为1.0米，确保了安装的灵活性。此外，风机能够在-40°C至+60°C的环境温度下稳定工作，展现了其出色的适应性。

公司团队通过持续创新与不懈努力，将一体化的创新设计理念、精湛的产品设计、高效的自动化生产线布局以及精细的供应链开发管理融为一体，确保了产品的卓越性能。

公司产品策略完全符合总成本领先的规划设想，致力于为客户提供性能卓越、价格合理的解决方案。YWF系列直流风机已经通过CCC、CE、UL、ROHS、REACH等国际认证，这不仅是对产品质量的肯定，也是对客户承诺的保障。

选择YWF系列直流风机，就是选择一个更高效、更经济、更可靠的未来。让我们一起引领行业向更绿色、更智能的方向发展。

The YWF series DC Brushless external rotor fan is a disruptive product that combines innovative design and excellent performance. It is not only compact in structure and easy to install, but also reliable in operation and low in noise. With its energy-saving and high efficient characteristics, it has become the best choice for equipment such as condensers, evaporators, and ventilation circulation fields.

The YWF series DC fan, with its F-class insulation and IP54 protection level, is equipped with software protectors to ensure the durability and safety of the motor. We offer voltage options of single-phase 115V or 220V, as well as three-phase 380V, to meet the needs of different customers. The standard length of the power lead is 1.0 meter, ensuring installation flexibility. In addition, the fan is able to operate stably in ambient temperatures ranging from -40 ° C to +60 ° C, demonstrating its excellent adaptability.

The company team integrates innovative design concepts, exquisite product design, efficient automated production line layout, and refined supply chain development management through continuous innovation and unremitting efforts, ensuring the excellent performance of the products.

The company's product strategy fully aligns with the overall cost leadership plan and is committed to providing customers with high-performance and reasonably priced solutions. The YWF series DC fans have passed international certifications such as CCC, CE, UL, RoHS, REACH, etc. This is not only a recognition of product quality, but also a guarantee of customer commitment.

Choosing the YWF series DC fan is choosing a more efficient, economical, and reliable future. Let's lead the industry towards greener and smarter development together.

## EC Axial Fan



## YWF Series

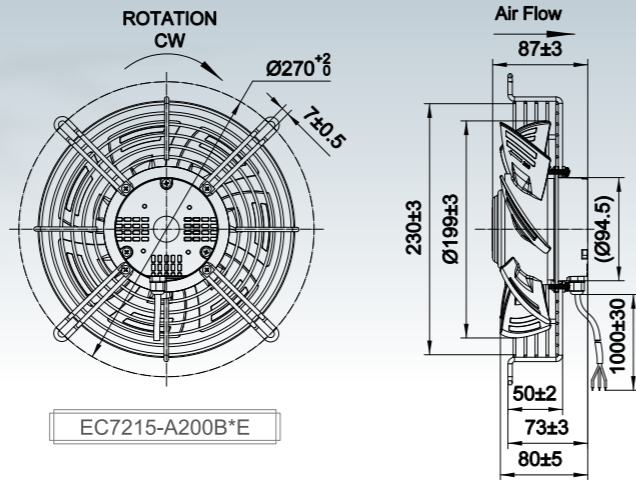


### Illustration of EC Fan Motor Model

#### YWF.EC7215-A200ASX

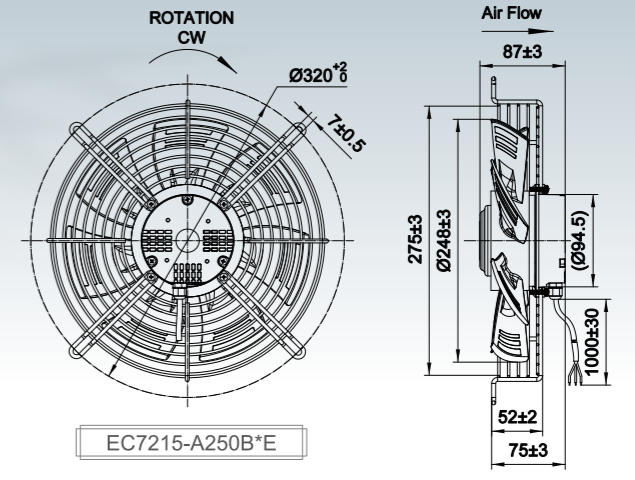
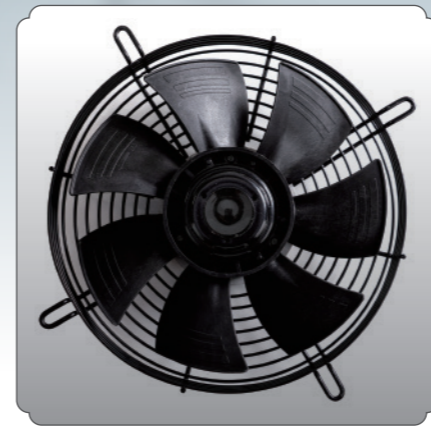
- A代表DC12V；B代表DC24V；C代表DC48V；D代表AC115V；E代表AC200-230V；F代表DC310V；H代表AC380-400V  
A represents DC12V, B represents DC24V, C represents DC48V, D represents AC115V, E represents AC200-230V, F represents DC310V, H represents AC380-400V
- S代表双速；D代表单速；P代表PWM调速  
S represents dual speed, D represents single speed, P represents PWM speed regulation
- A代表墙型凹网罩、B代表墙型平网、C代表平网、D代表带导风面板、E代表后倾离心、F代表前倾离心、G代表后倾带蜗壳、H代表前倾带蜗壳  
A represents the concave grill of the wall type, B represents the flat grill of the wall type, C represents the flat grill, D represents the air guide panel, and E represents the backward leaning centrifugal, F represents forward leaning centrifugal, G represents backward leaning with snail shell, H represents forward leaning with snail shell
- 叶轮直径  
Impeller diameter
- A代表轴流吸风风机、B代表轴流吹风风机、C代表离心风机  
A represents suction axial fan, B represents blowing axial fan, C represents centrifugal fan
- 定子铁芯叠厚  
Thickness of stator core stack
- 电机外径  
Motor outer diameter
- EC(交流输入内部转换直流)  
EC (AC input internal conversion to DC)
- 外转子风机  
External rotor fan

AXIAL FAN **EC7215-A200**



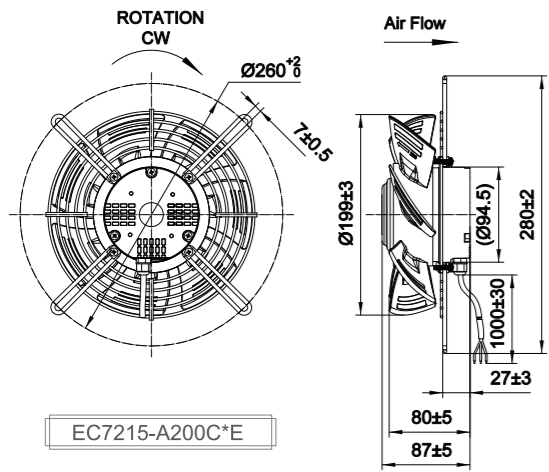
EC7215-A200B\*E

AXIAL FAN **EC7215-A250**

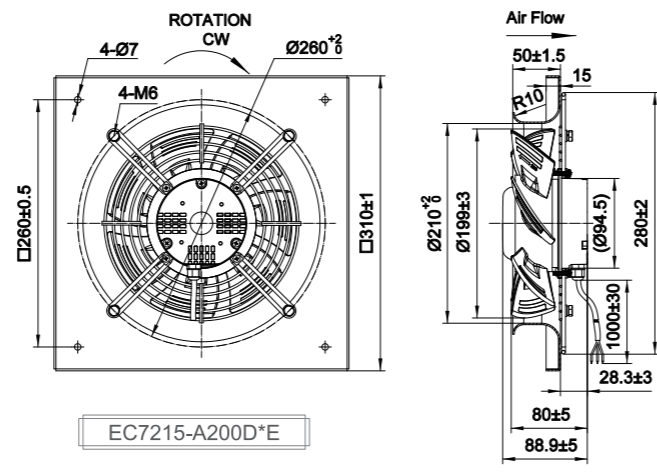


EC7215-A250B\*E

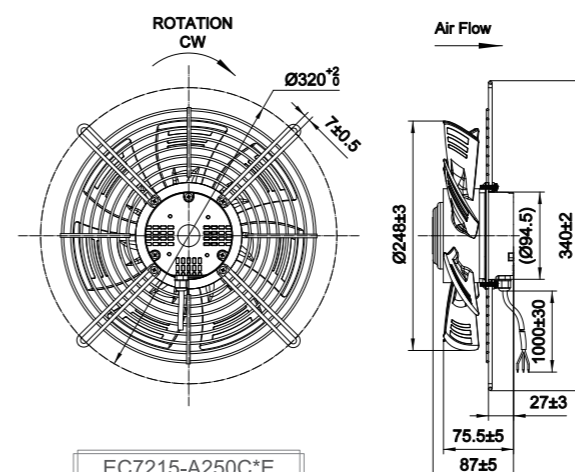
SAWEL Motor



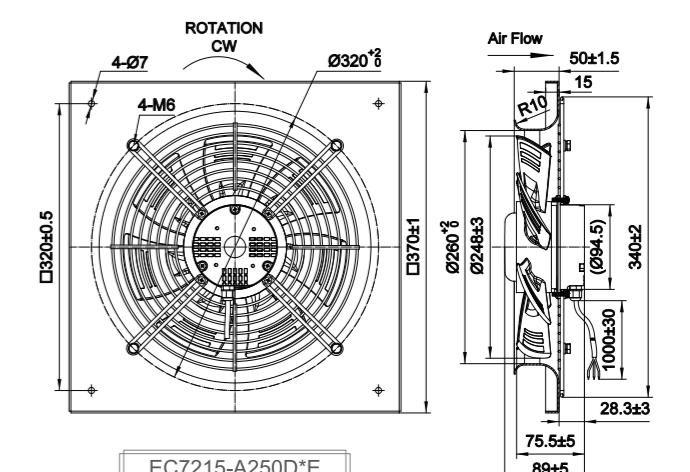
EC7215-A200C\*E



EC7215-A200D\*E



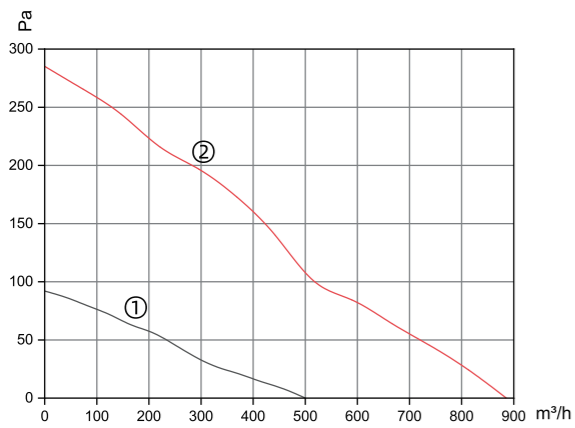
EC7215-A250C\*E



EC7215-A250D\*E

COMBELL Motor

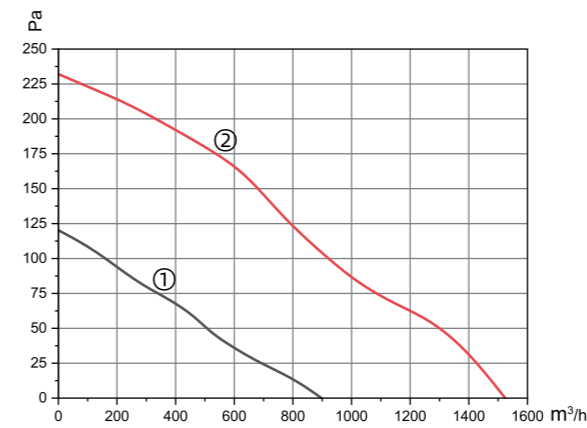
PERFORMANCE GRAPHS



Working mode  
**S1**  
Insulation class  
**Class F**  
Protection level  
**IP54**  
Ambient temperature  
**-40°C~60°C**

Model	Voltage V	Frequency Hz	Rated Current A	Input Power W	Speed r/min	Noise db(A)	Air Volume m³/h	Curve
EC7215-A200B*E	230	50/60	0.12	13	1400	47	500	①
EC7215-A200C*E								
EC7215-A200D*E								
EC7215-A200B*E	230	50/60	0.40	53	2500	64	885	②
EC7215-A200C*E								
EC7215-A200D*E								

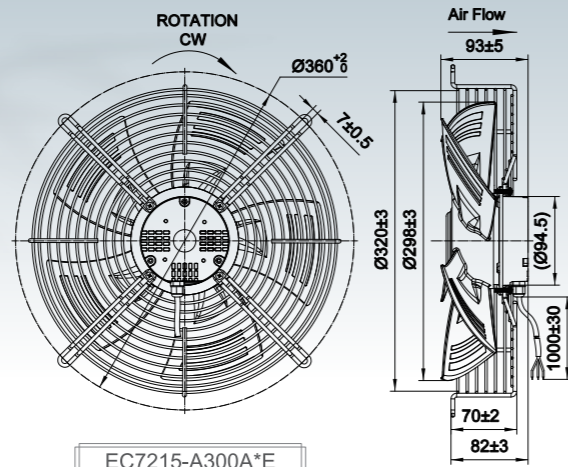
PERFORMANCE GRAPHS



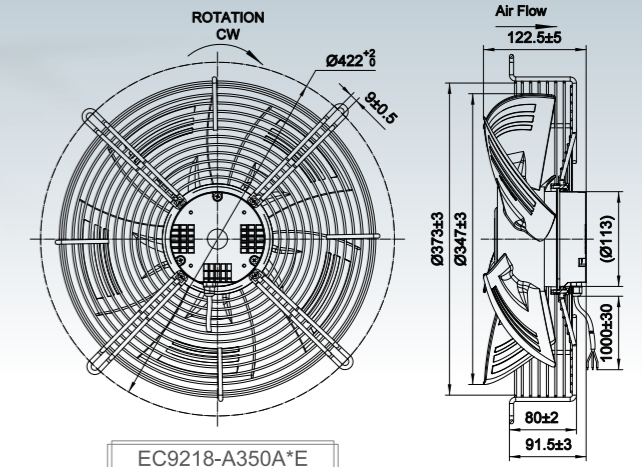
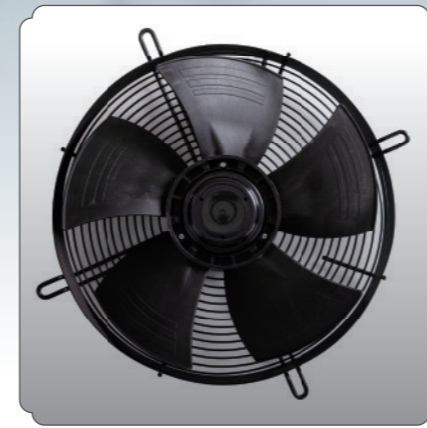
Working mode  
**S1**  
Insulation class  
**Class F**  
Protection level  
**IP54**  
Ambient temperature  
**-40°C~60°C**

Model	Voltage V	Frequency Hz	Rated Current A	Input Power W	Speed r/min	Noise db(A)	Air Volume m³/h	Curve
EC7215-A250B*E	230	50/60	0.17	21	1400	54	860	①
EC7215-A250C*E								
EC7215-A250D*E								
EC7215-A250B*E	230	50/60	0.72	101	2500	70	1524	②
EC7215-A250C*E								
EC7215-A250D*E								

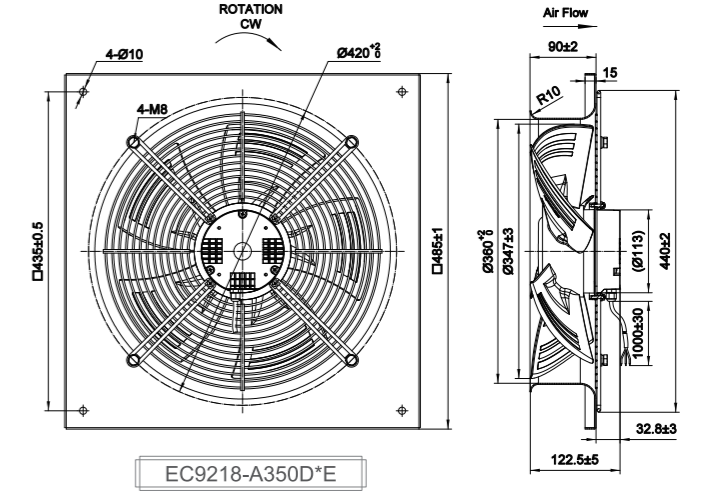
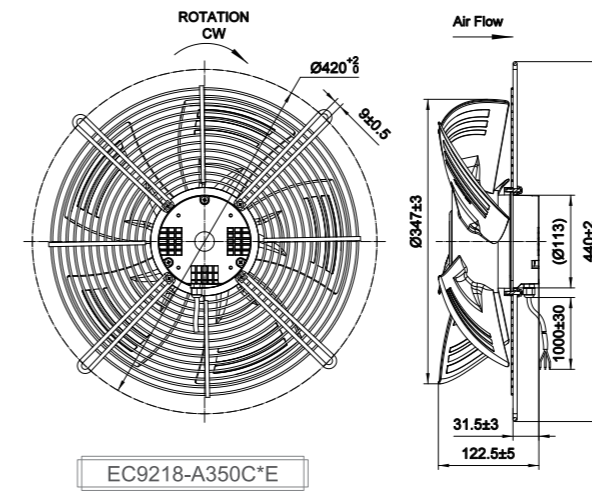
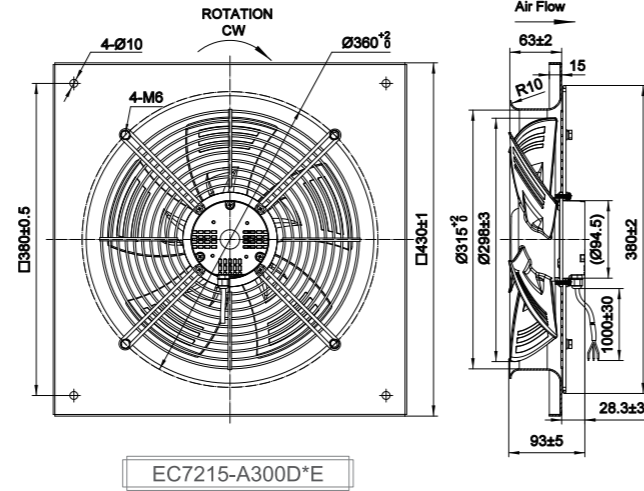
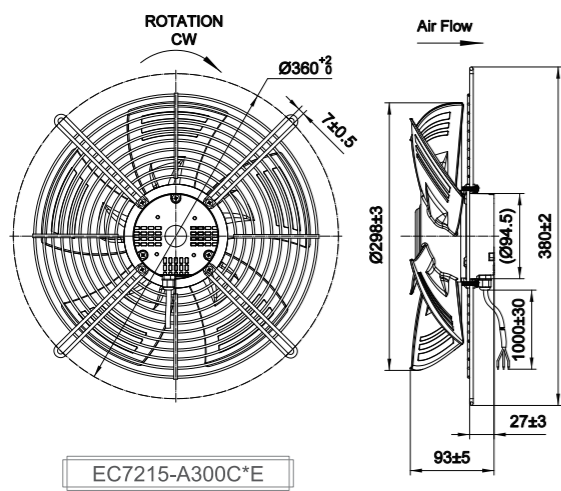
AXIAL FAN EC7215-A300



AXIAL FAN EC9218-A350

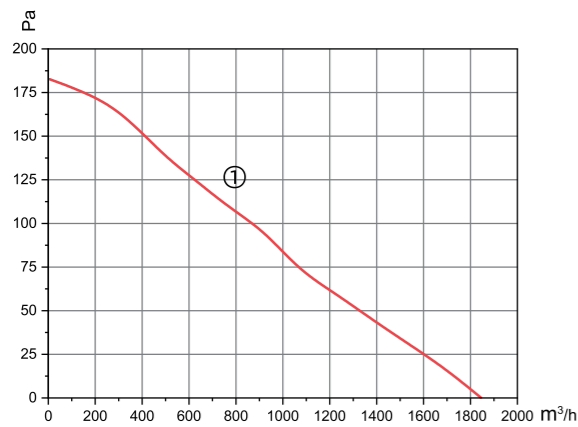


SAWEL Motor



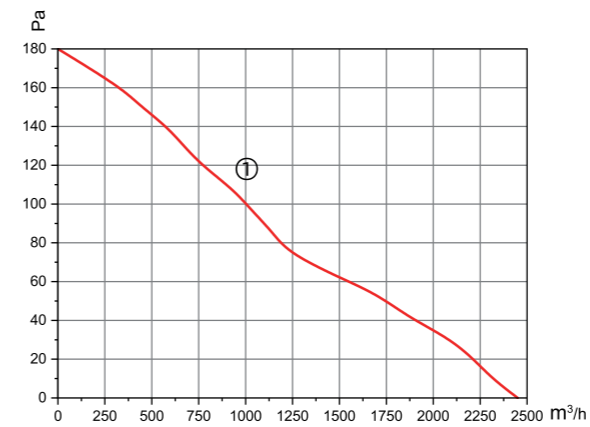
COMBELL Motor

PERFORMANCE GRAPHS



Working mode  
S1  
Insulation class  
Class F  
Protection level  
IP54  
Ambient temperature  
-40°C~60°C

PERFORMANCE GRAPHS

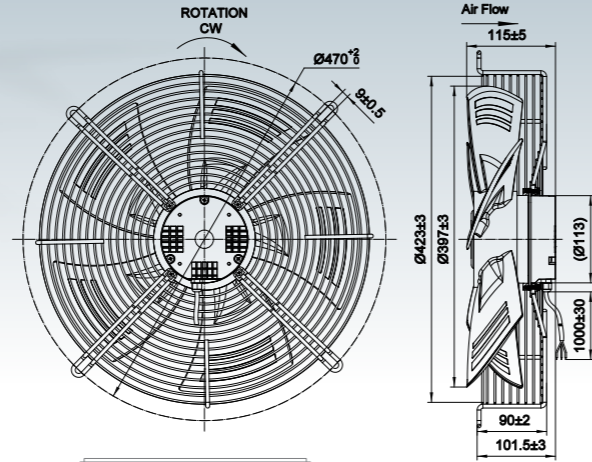


Working mode  
S1  
Insulation class  
Class F  
Protection level  
IP54  
Ambient temperature  
-40°C~60°C

Model	Voltage V	Frequency Hz	Rated Current A	Input Power W	Speed r/min	Noise db(A)	Air Volume m³/h	Curve
EC7215-A300A*E	230	50/60	0.34	45	1400	58	1845	①
EC7215-A300B*E								
EC7215-A300C*E								
EC7215-A300D*E								

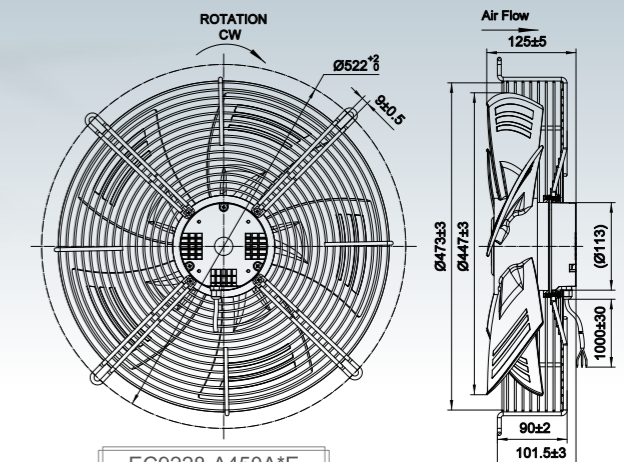
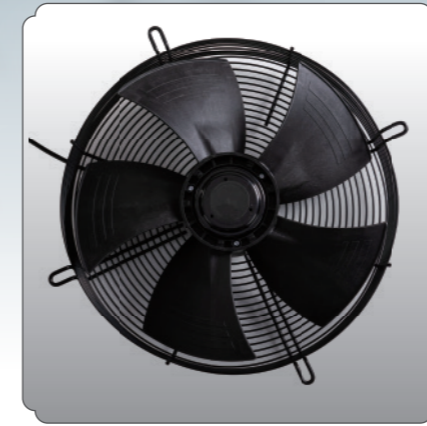
Model	Voltage V	Frequency Hz	Rated Current A	Input Power W	Speed r/min	Noise db(A)	Air Volume m³/h	Curve
EC9218-A350A*E	230	50/60	0.83	120	1350	64	2450	①
EC9218-A350C*E								
EC9218-A350D*E								
EC9218-A350**H								

AXIAL FAN **EC9218-A400**



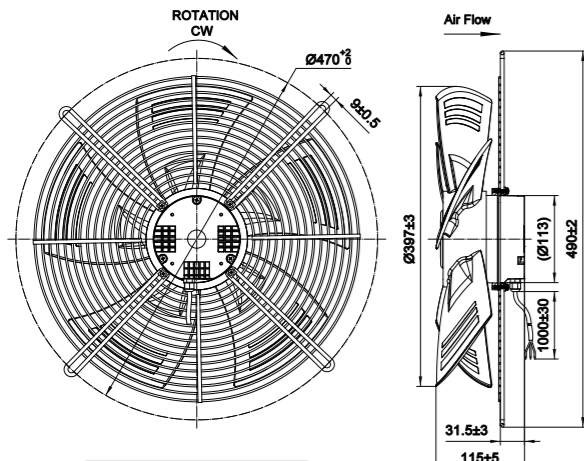
EC9218-A400A\*E

AXIAL FAN **EC9228-A450**

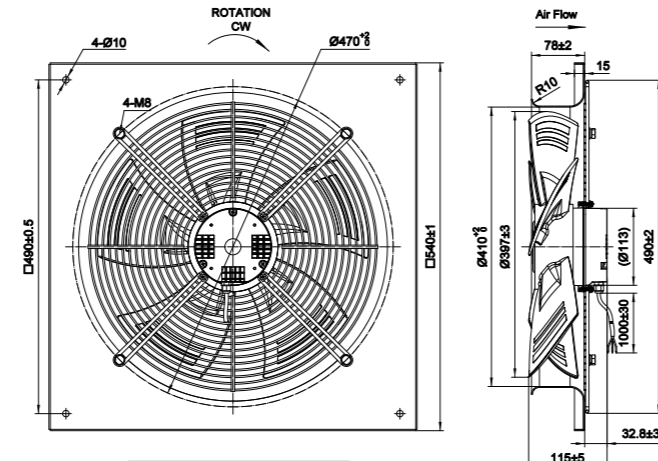


EC9228-A450A\*E

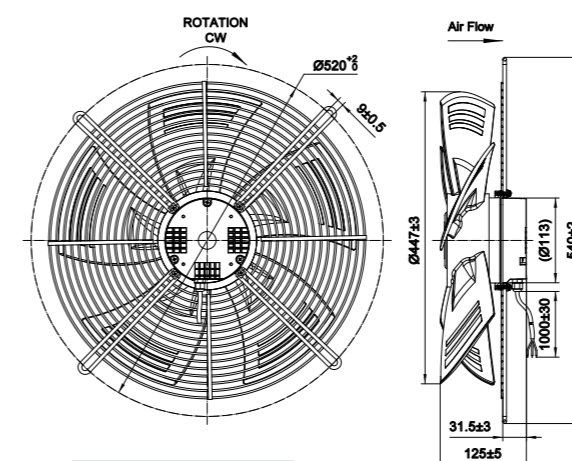
SAWEL Motor



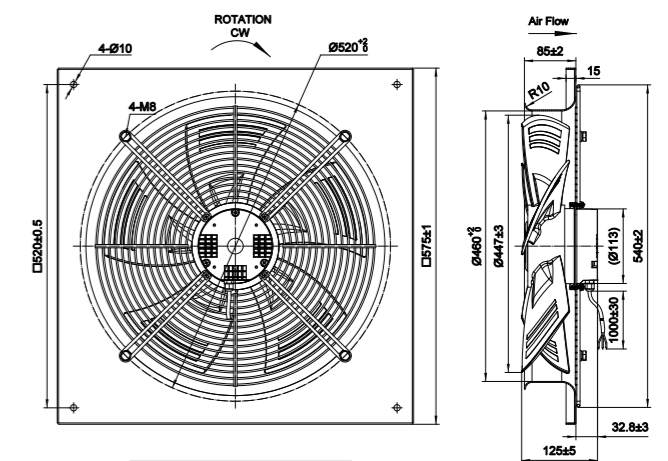
EC9218-A400C\*E



EC9218-A400D\*E



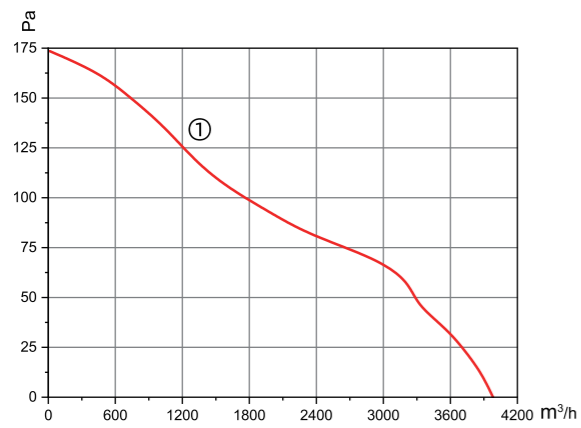
EC9228-A450C\*E



EC9228-A450D\*E

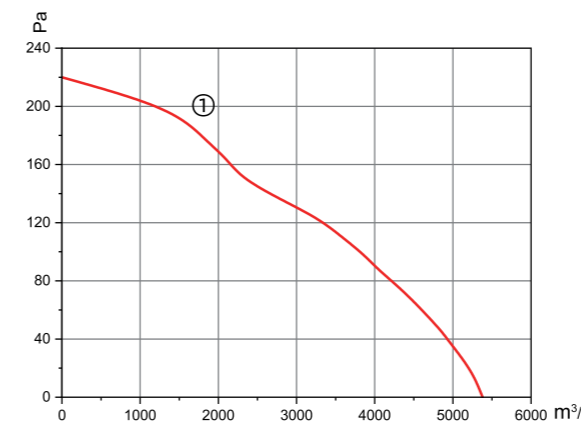
COMBELL Motor

PERFORMANCE GRAPHS



Working mode  
**S1**  
Insulation class  
**Class F**  
Protection level  
**IP54**  
Ambient temperature  
**-40°C~60°C**

PERFORMANCE GRAPHS



Working mode  
**S1**  
Insulation class  
**Class F**  
Protection level  
**IP54**  
Ambient temperature  
**-40°C~60°C**

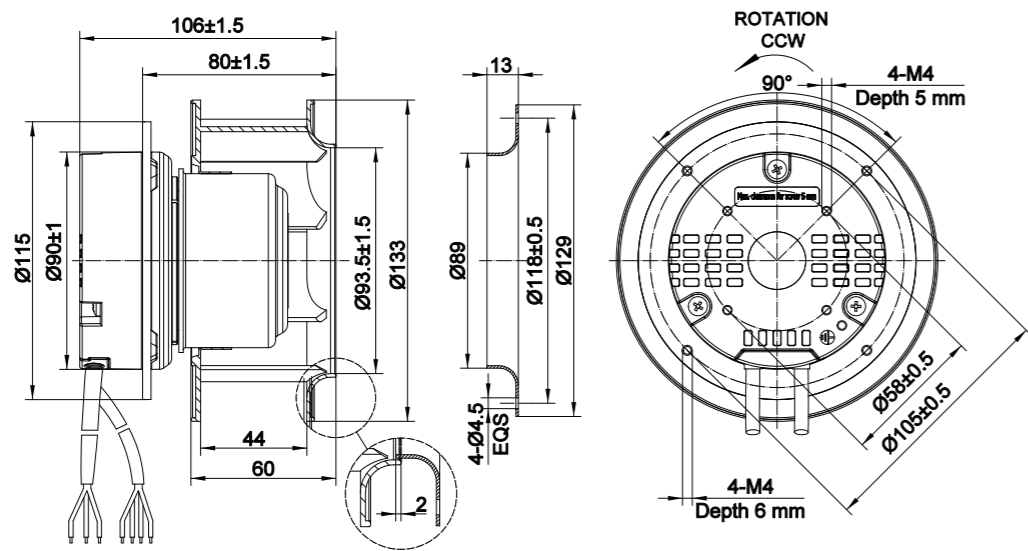
Model	Voltage V	Frequency Hz	Rated Current A	Input Power W	Speed r/min	Noise db(A)	Air Volume m³/h	Curve
EC9218-A400A*E	230	50/60	1.10	165	1450	67	3980	①
EC9218-A400C*E								
EC9218-A400D*E								
EC9218-A400**H	3-380	50/60	0.35					

Model	Voltage V	Frequency Hz	Rated Current A	Input Power W	Speed r/min	Noise db(A)	Air Volume m³/h	Curve
EC9228-A450A*E	230	50/60	1.16	174	1450	67	5380	①
EC9228-A450C*E								
EC9228-A450D*E								
EC9228-A450**H	3-380	50/60	0.37					

CENTRIFUGAL FAN **EC7218-C133**

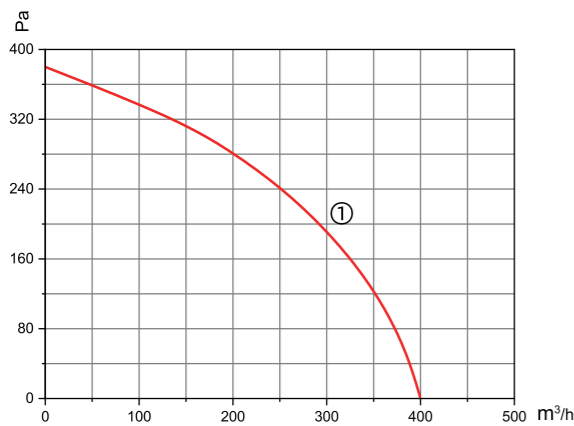


SAIWEI Motor



EC7218-C133EPE

PERFORMANCE GRAPHS



Working mode

S1

Insulation class

Class F

Protection level

IP55

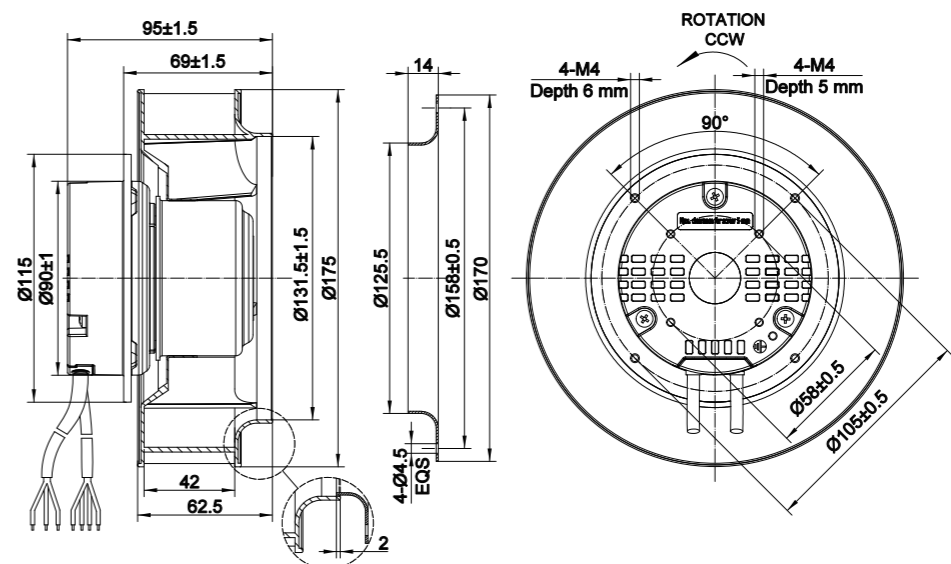
Ambient temperature

-40°C~60°C

CENTRIFUGAL FAN **EC7218-C175**

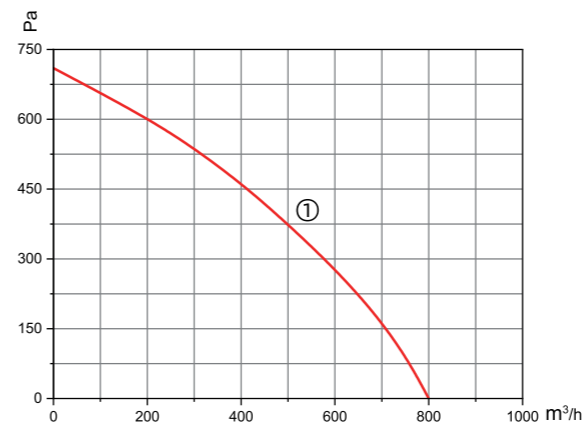


COMBELL Motor



EC7218-C175EPE

PERFORMANCE GRAPHS



Working mode

S1

Insulation class

Class F

Protection level

IP55

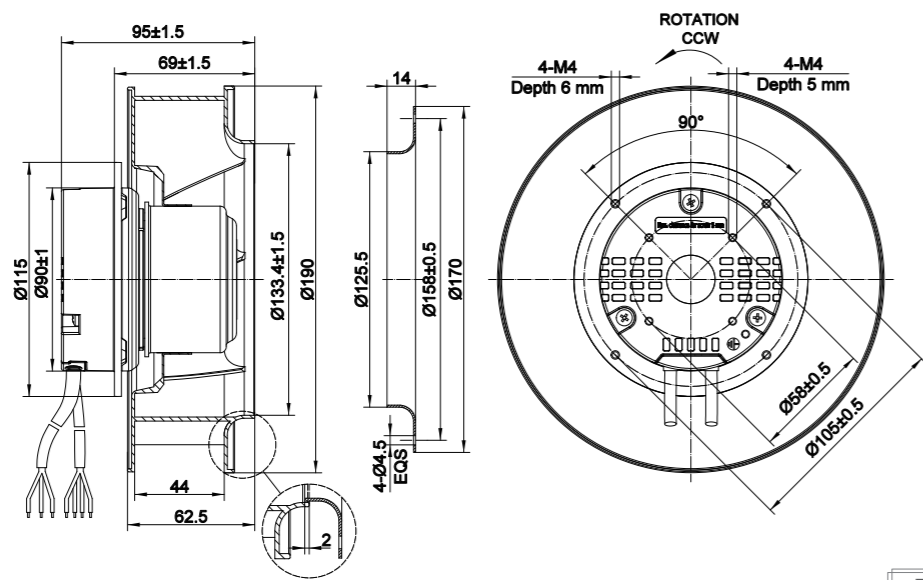
Ambient temperature

-40°C~60°C

Model	Voltage V	Frequency Hz	Rated Current A	Input Power W	Speed r/min	Noise db(A)	Air Volume m³/h	Curve
EC7218-C133EPE	230	50/60	0.41	45	4500	65	400	①

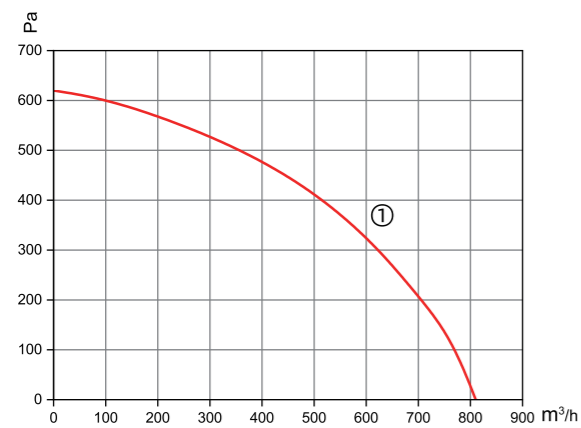
Model	Voltage V	Frequency Hz	Rated Current A	Input Power W	Speed r/min	Noise db(A)	Air Volume m³/h	Curve
EC7218-C175EPE	230	50/60	0.61	90	4500	74	800	①

CENTRIFUGAL FAN **EC7218-C190**



EC7218-C190EPE

PERFORMANCE GRAPHS



Working mode  
**S1**

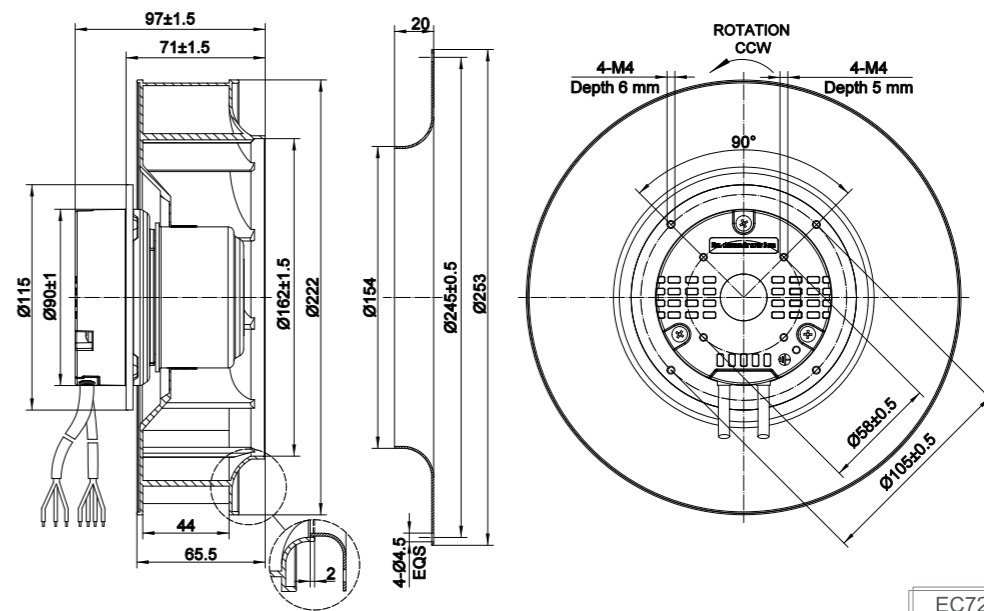
Insulation class  
**Class F**

Protection level  
**IP55**

Ambient temperature  
**-40°C~60°C**

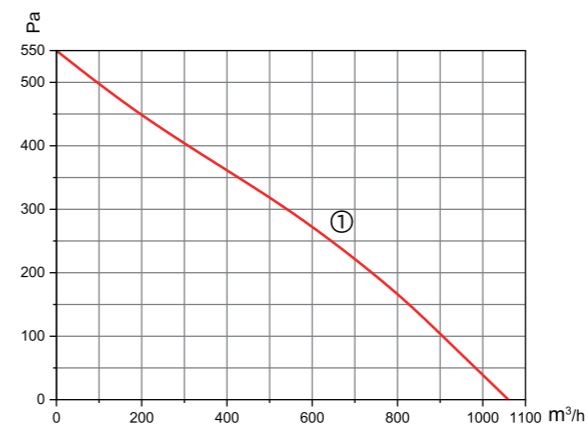
Model	Voltage V	Frequency Hz	Rated Current A	Input Power W	Speed r/min	Noise db(A)	Air Volume m³/h	Curve
EC7218-C190EPE	230	50/60	0.86	100	3570	73	810	①

CENTRIFUGAL FAN **EC7218-C220**



EC7218-C220EPE

PERFORMANCE GRAPHS



Working mode  
**S1**

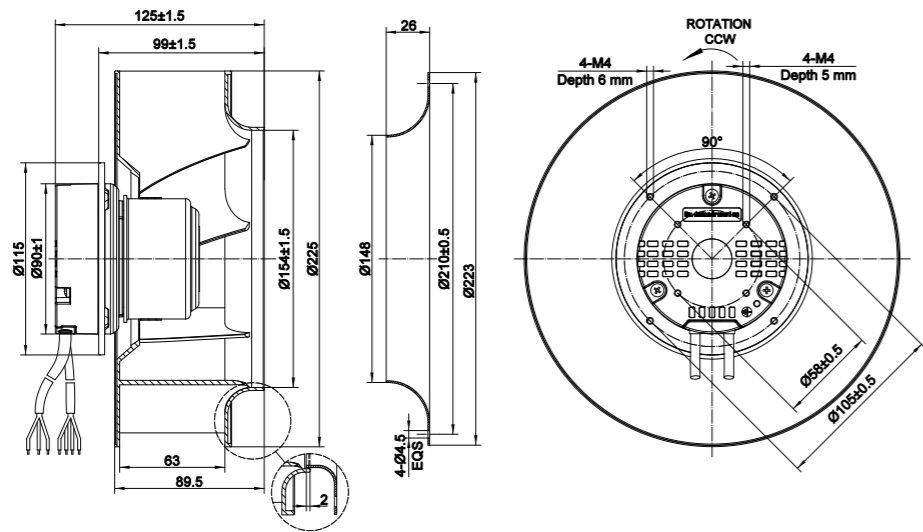
Insulation class  
**Class F**

Protection level  
**IP55**

Ambient temperature  
**-40°C~60°C**

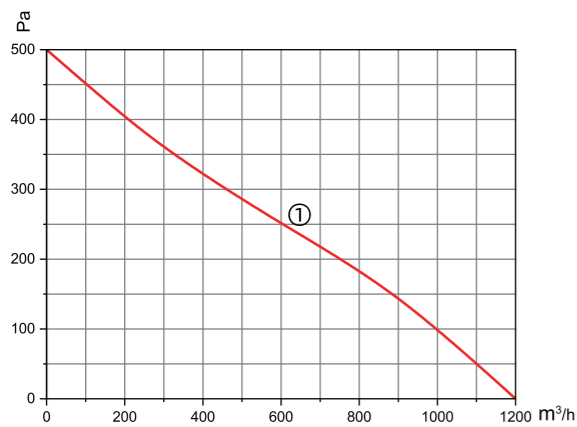
Model	Voltage V	Frequency Hz	Rated Current A	Input Power W	Speed r/min	Noise db(A)	Air Volume m³/h	Curve
EC7218-C220EPE	230	50/60	0.86	100	3050	72	1060	①

CENTRIFUGAL FAN **EC7218-C225**



EC7218-C225EPE

PERFORMANCE GRAPHS



Working mode

**S1**

Insulation class

**Class F**

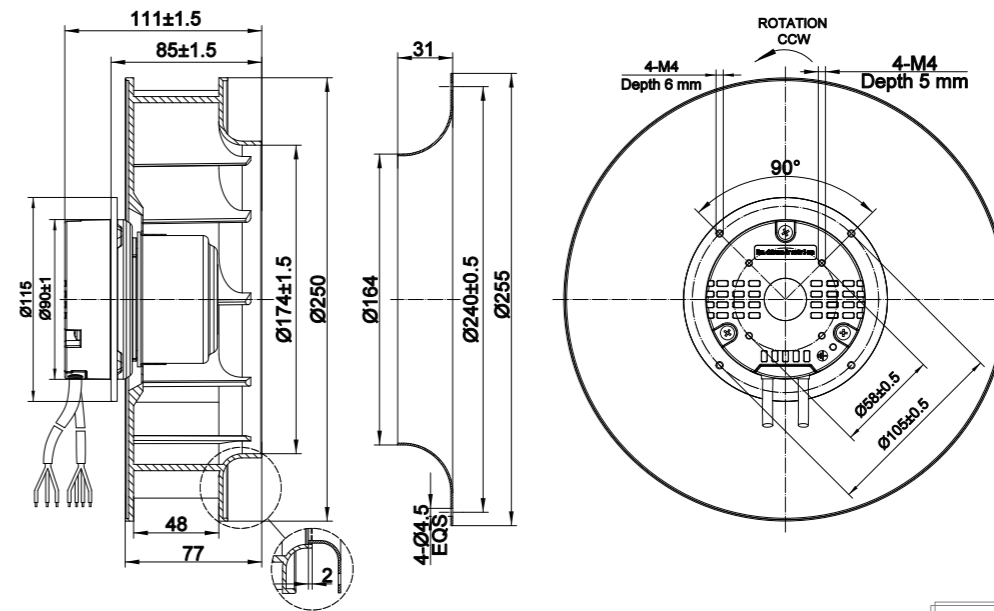
Protection level

**IP55**

Ambient temperature

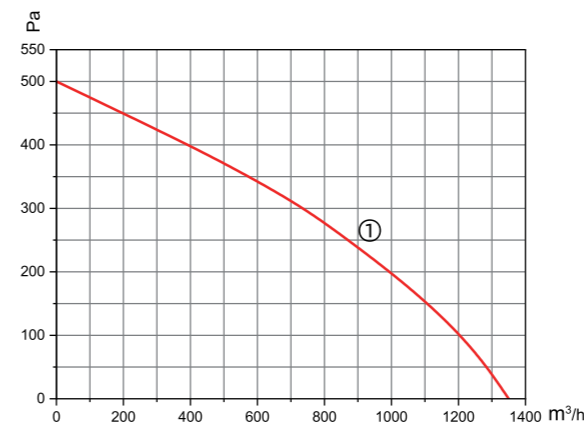
**-40°C~60°C**

CENTRIFUGAL FAN **EC7218-C250**



EC7218-C250EPE

PERFORMANCE GRAPHS



Working mode

**S1**

Insulation class

**Class F**

Protection level

**IP55**

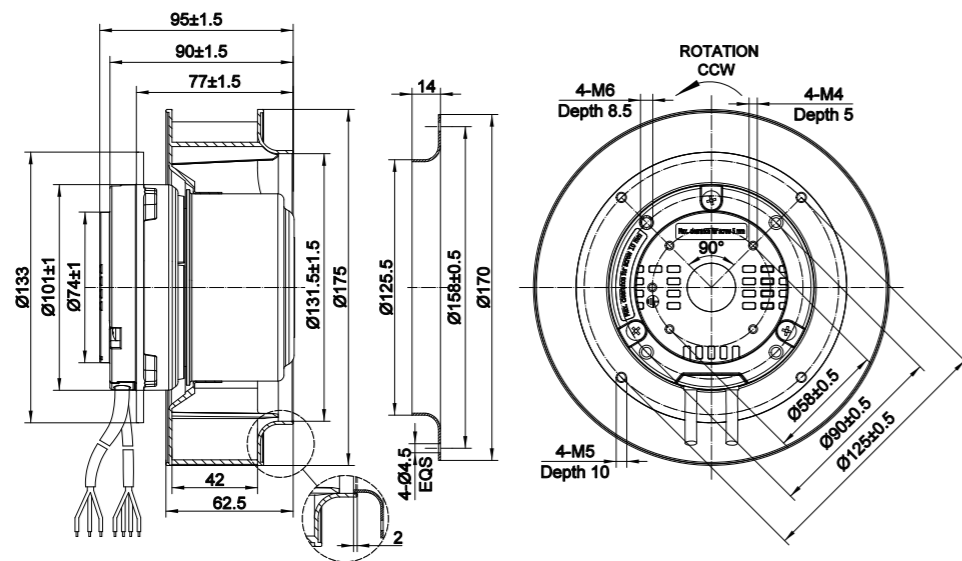
Ambient temperature

**-40°C~60°C**

Model	Voltage V	Frequency Hz	Rated Current A	Input Power W	Speed r/min	Noise db(A)	Air Volume m³/h	Curve
EC7218-C225EPE	230	50/60	0.74	95	2500	74	1200	①

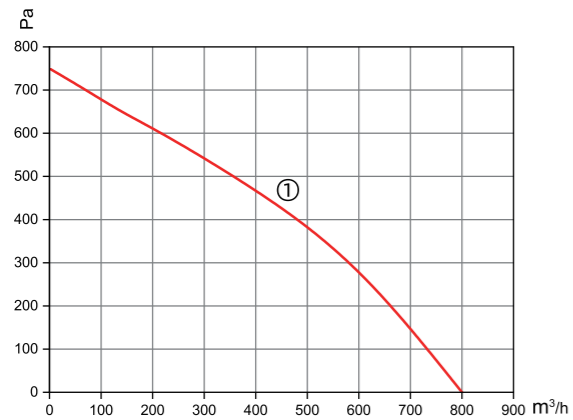
Model	Voltage V	Frequency Hz	Rated Current A	Input Power W	Speed r/min	Noise db(A)	Air Volume m³/h	Curve
EC7218-C250EPE	230	50/60	0.86	100	2500	73	1350	①

CENTRIFUGAL FAN **EC9222-C175**



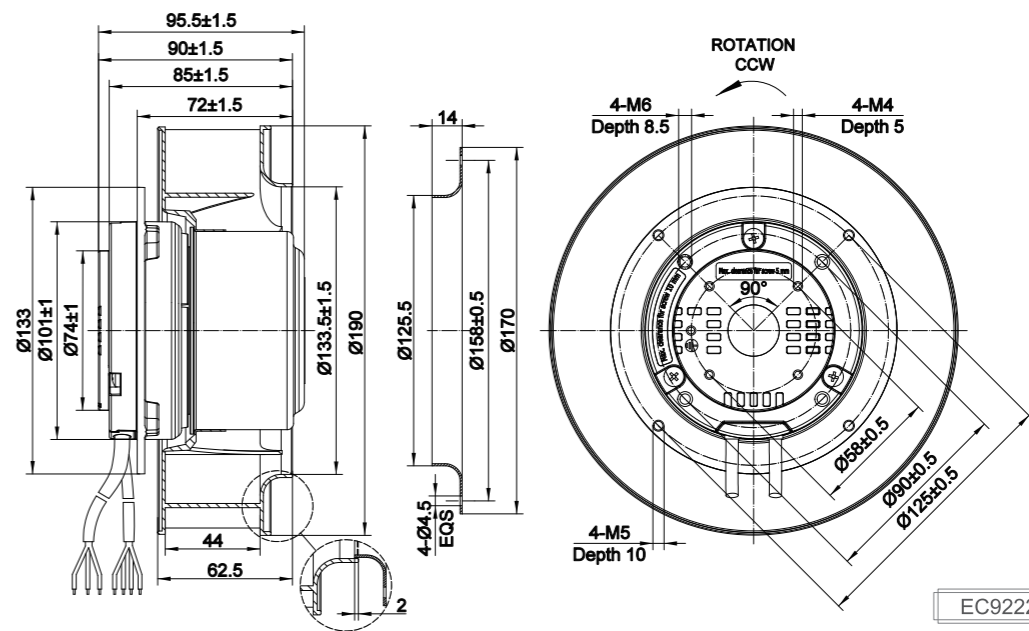
EC9222-C175EPE

PERFORMANCE GRAPHS



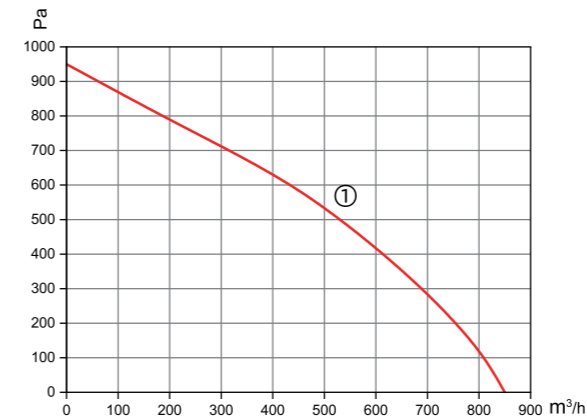
Working mode  
S1  
Insulation class  
Class F  
Protection level  
IP55  
Ambient temperature  
-40°C~60°C

CENTRIFUGAL FAN **EC9222-C190**



EC9222-C190EPE

PERFORMANCE GRAPHS



Working mode  
S1  
Insulation class  
Class F  
Protection level  
IP55  
Ambient temperature  
-40°C~60°C

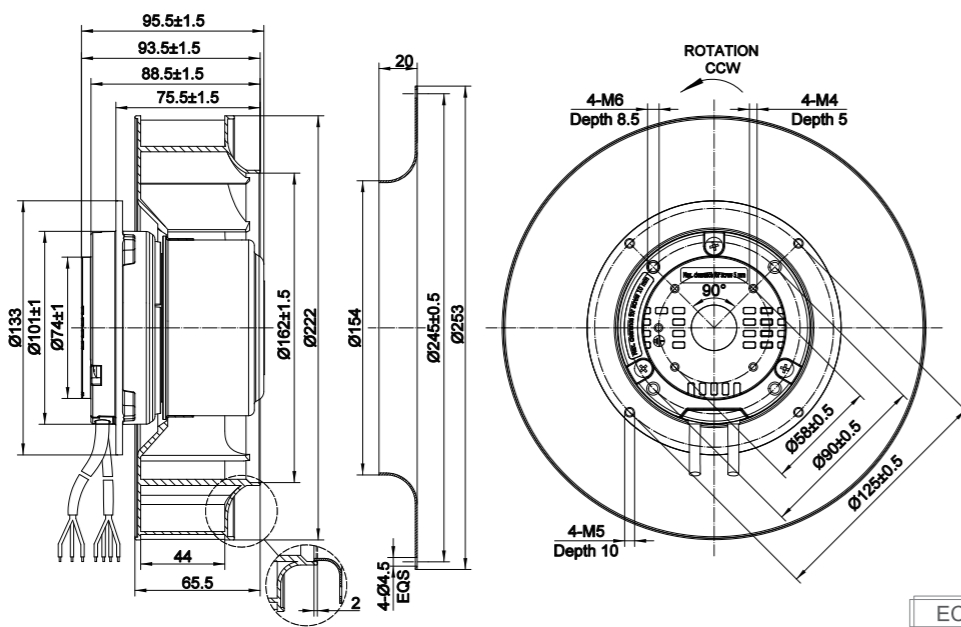
Model	Voltage V	Frequency Hz	Rated Current A	Input Power W	Speed r/min	Noise db(A)	Air Volume m³/h	Curve
EC9222-C175EPE	230	50/60	1.0	120	4450	76	800	①

Model	Voltage V	Frequency Hz	Rated Current A	Input Power W	Speed r/min	Noise db(A)	Air Volume m³/h	Curve
EC9222-C190EPE	230	50/60	1.2	160	4100	75	850	①

CENTRIFUGAL FAN **EC9222-C220**

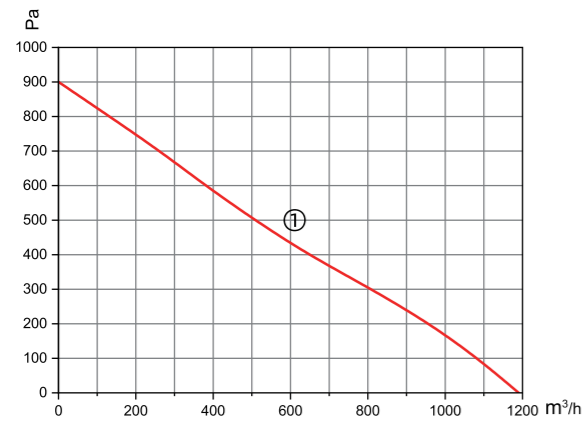


SAWEL Motor



EC9222-C220EPE

PERFORMANCE GRAPHS



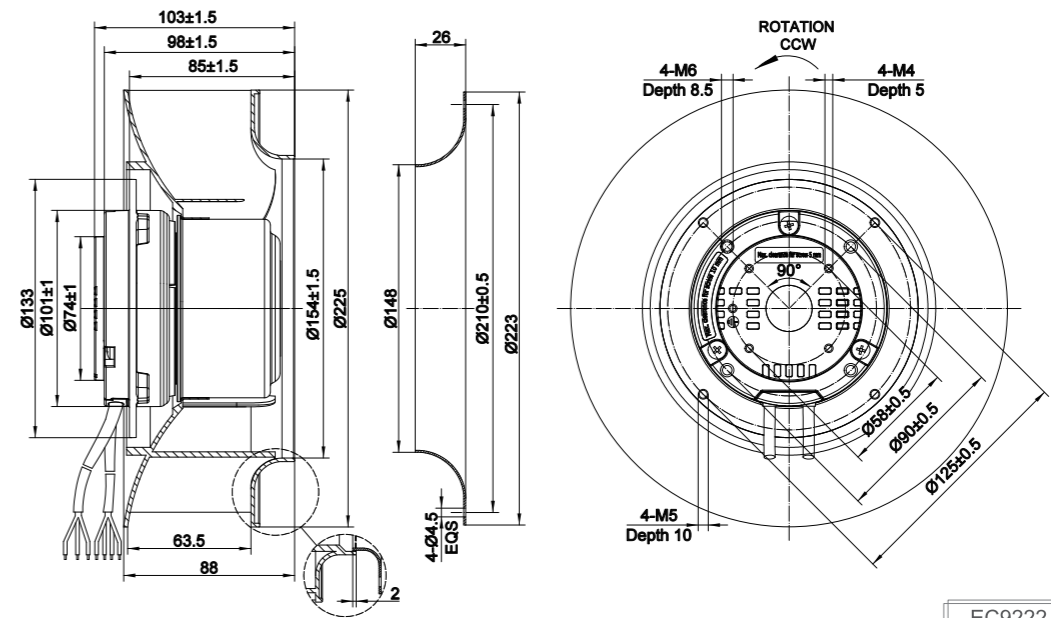
Working mode  
**S1**  
Insulation class  
**Class F**  
Protection level  
**IP55**  
Ambient temperature  
**-40°C~60°C**

Model	Voltage V	Frequency Hz	Rated Current A	Input Power W	Speed r/min	Noise db(A)	Air Volume m³/h	Curve
EC9222-C220EPE	230	50/60	1.2	160	3580	76	1190	①

CENTRIFUGAL FAN **EC9222-C225**

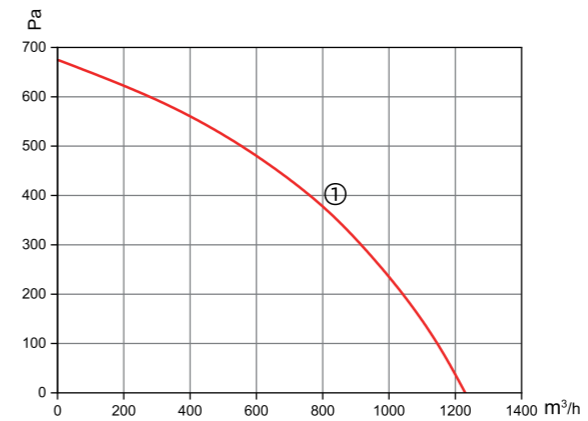


COMBELL Motor



EC9222-C225EPE

PERFORMANCE GRAPHS

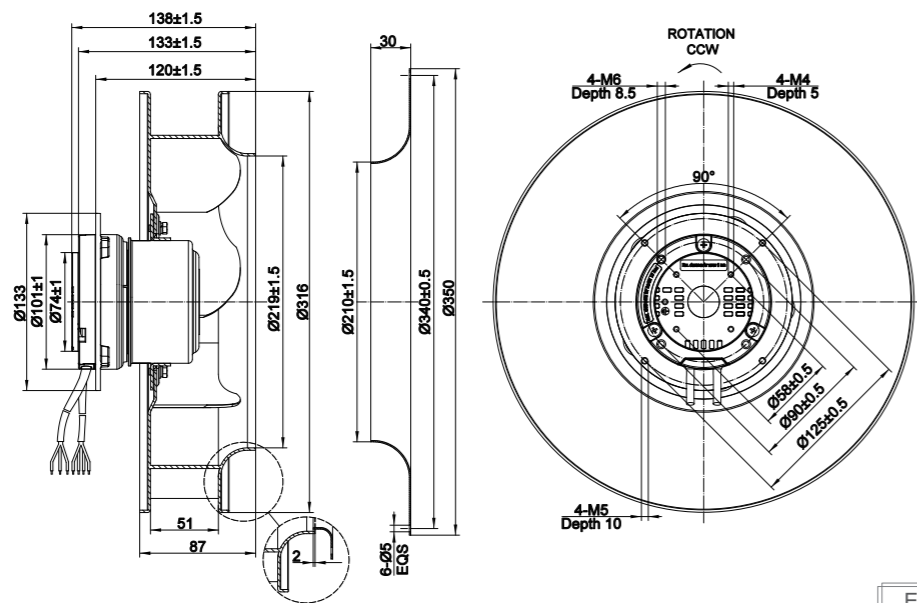


Working mode  
**S1**  
Insulation class  
**Class F**  
Protection level  
**IP55**  
Ambient temperature  
**-40°C~60°C**

Model	Voltage V	Frequency Hz	Rated Current A	Input Power W	Speed r/min	Noise db(A)	Air Volume m³/h	Curve
EC9222-C225EPE	230	50/60	1.2	160	3000	71	1230	①

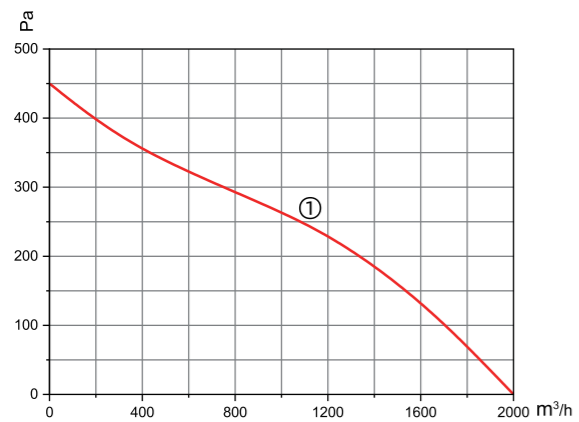


CENTRIFUGAL FAN **EC9222-C310**



EC9222-C310EPE

PERFORMANCE GRAPHS



Working mode

S1

Insulation class

Class F

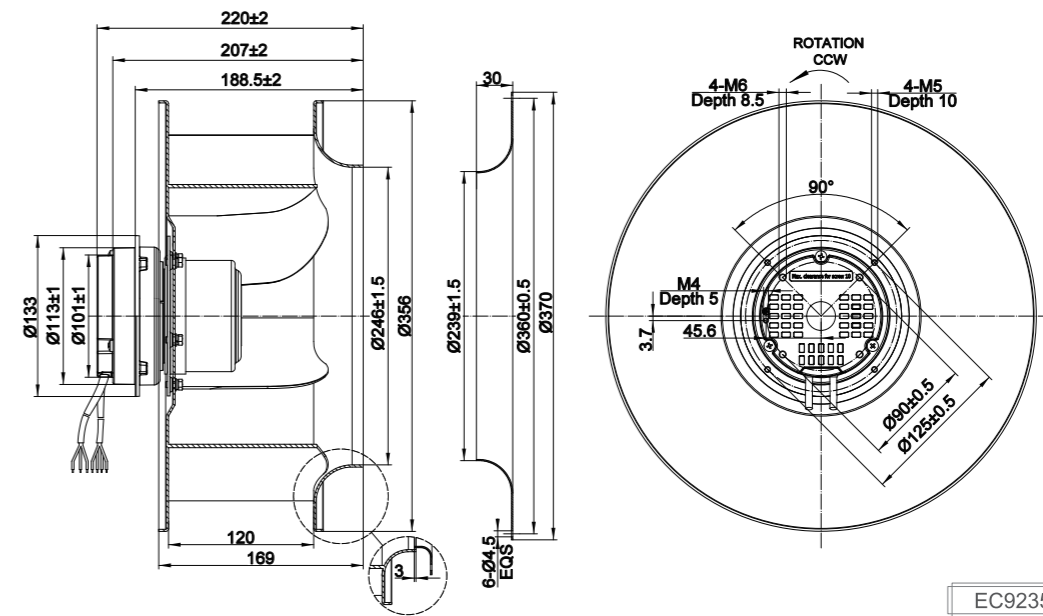
Protection level

IP55

Ambient temperature

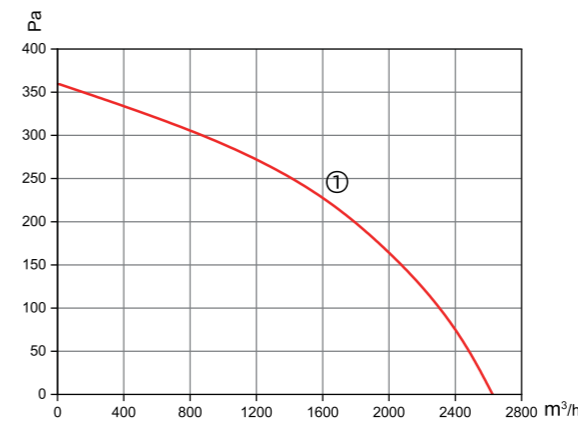
-40°C~60°C

CENTRIFUGAL FAN **EC9235-C355**



EC9235-C355EPE

PERFORMANCE GRAPHS



Working mode

S1

Insulation class

Class F

Protection level

IP55

Ambient temperature

-40°C~60°C

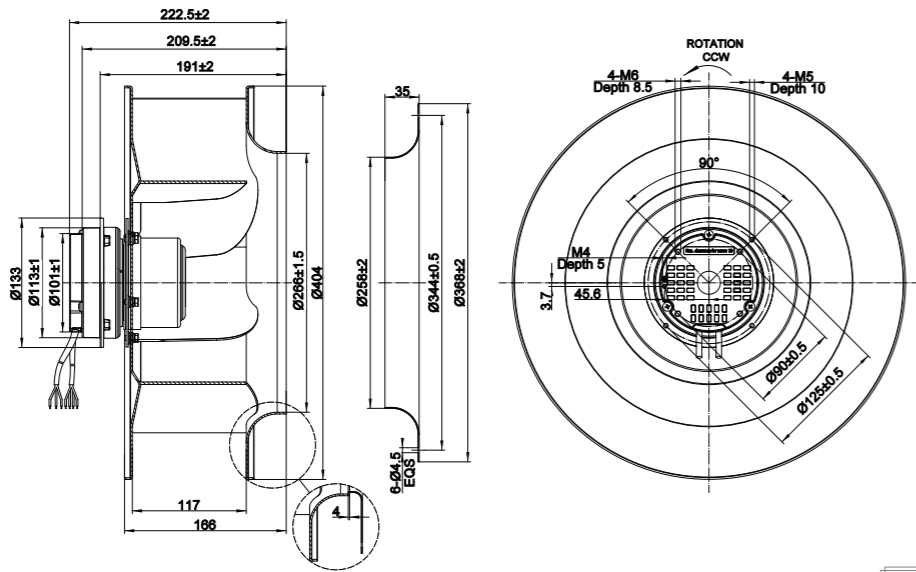
Model	Voltage V	Frequency Hz	Rated Current A	Input Power W	Speed r/min	Noise db(A)	Air Volume m³/h	Curve
EC9222-C310EPE	230	50/60	1.0	140	1700	64	2000	①

Model	Voltage V	Frequency Hz	Rated Current A	Input Power W	Speed r/min	Noise db(A)	Air Volume m³/h	Curve
EC9235-C355EPE	230	50/60	1.5	230	1420	72	2625	①

# CENTRIFUGAL FAN EC9235-C400

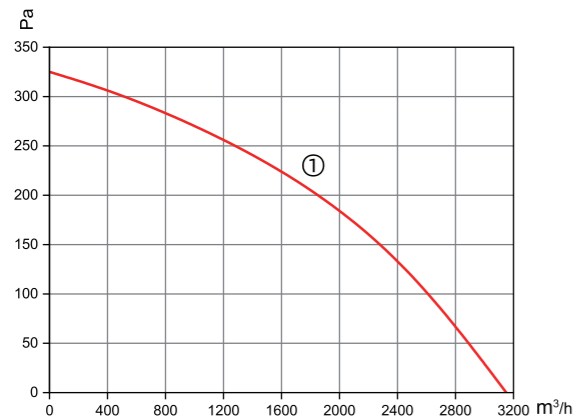


SAWEL Motor



EC9235-C400EPE

## PERFORMANCE GRAPHS



Working mode  
**S1**

Insulation class  
**Class F**

Protection level  
**IP55**

Ambient temperature  
**-40°C~60°C**

Model	Voltage V	Frequency Hz	Rated Current A	Input Power W	Speed r/min	Noise db(A)	Air Volume m³/h	Curve
EC9235-C400EPE	230	50/60	1.4	200	1120	66	3150	①

# YWF Series

## PRODUCT OVERVIEW

YWF系列直流外转子风机，是集创新设计与卓越性能于一身的颠覆性产品。具体高效、低噪音、轻量化、结构紧凑以及安装方便等特点，成为冷凝器、蒸发器等设备及通风循环领域的最佳选择。

YWF系列直流外转子风机拥有F级绝缘等级和IP54防护等级，搭配软件保护器，确保了风机的耐用性和安全性。风机适用电压为单相115V或220V，以及三相380V，运行环境温度为-40°C至+60°C，可用PWM调节转速和风量。

YWF系列直流外转子风机已经通过CCC、CE、UL、RoHS、REACH等国际认证。

通过持续创新与不懈努力，公司将一体化的创新设计理念、精湛的产品设计、高效的自动化生产线布局以及精细的供应链开发管理融为一体，确保了产品的卓越性能。同时公司致力于为客户提供性能卓越、价格合理的解决方案。

选择YWF系列直流风机，就是选择一个更高效、更经济、更可靠的未来。让我们一起引领行业向更绿色、更智能的方向发展。

The YWF series of DC external rotor fan is a revolutionary product that combines innovative design with superior performance. With specific features such as high efficiency, low noise, lightweight, compact structure, and easy installation, it has become the best choice for equipment such as condensers, evaporators, and in the field of ventilation and circulation.

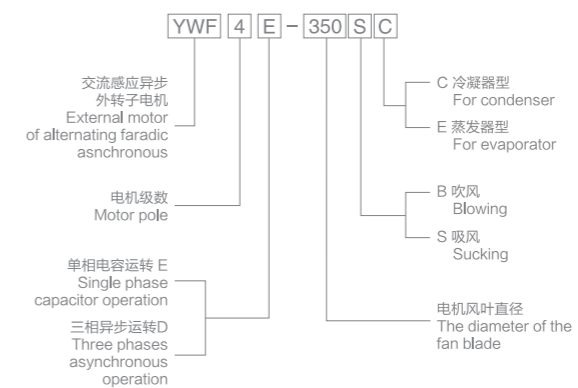
The YWF series of DC external rotor fan has an F-class insulation rating and an IP54 protection rating, with a software protection to ensure the durability and safety of the fan motor. The applicable voltage is single-phase 115V or 220V, as well as three-phase 380V. The operating ambient temperature is from -40°C to +60°C, and the speed and airflow can be adjusted with PWM.

The YWF series of DC external rotor fan has passed international certifications such as CCC, CE, UL, RoHS, and REACH.

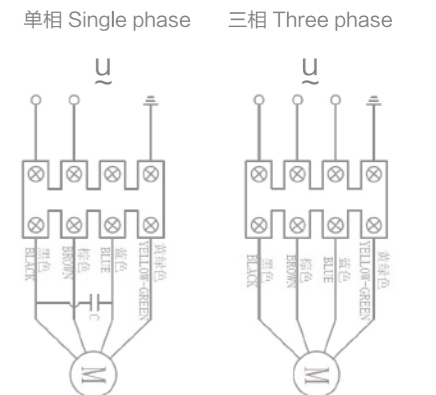
Through continuous innovation and unremitting efforts, the company integrates innovative design concepts, exquisite product design, efficient automated production line layout, and refined supply chain development management to ensure the excellent performance of its products. At the same time, the company is committed to providing customers with high-performance and reasonably priced solutions.

Choosing the YWF series DC external rotor fan is choosing a more efficient, economical, and reliable future. Let's lead the industry to a greener and smarter future.

## 风机型号说明 Illustration of Fan Motor Model



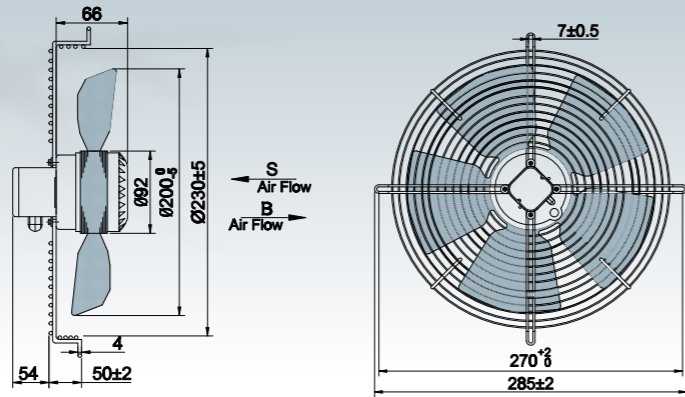
## 接线图 Wiring Diagram



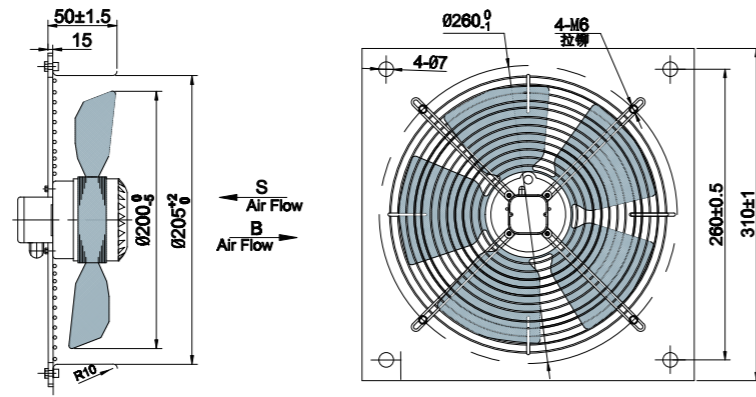
SERIES AXIAL FAN MOTORS YWF200



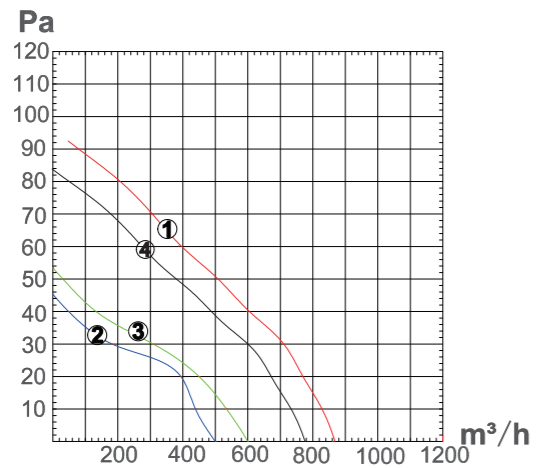
GRID FAN



SQUARE FRAME FAN B0



AIR FLOW CURVES



工作方式: S1  
 绝缘等级: B级F级  
 防护等级: IP44、IP54  
 环境温度: -30°C~60°C

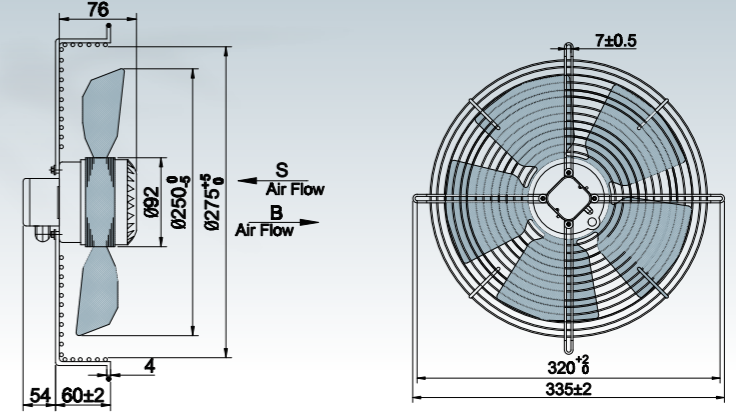
Working mode: S1  
 Insulation class: Class B, F  
 Protection level: IP44、IP54  
 Ambient temperature: -30°C~60°C

TYPE	VOLTAGE V	FREQUENCY Hz	RATED CURRENT A	INPUT W	SPEED r/min	CAPACITOR μF	NET WEIGHT kg	NOISE dBA	AIR VOLUME m³/h	CURVE	
YWF2E-200-5	220	50	0.25	55	2500	2	1.8	52	790	④	5叶 blade
YWF2E-200-7	220	50	0.25	55	2500	2	1.8	52	885	①	7叶 blade
YWF2D-200-5	380	50	0.18	65	2500	/	1.8	52	790	④	5叶 blade
YWF2D-200-7	380	50	0.18	65	2500	/	1.8	52	885	①	7叶 blade
YWF4E-200	220	50	0.20	40	1400	1.5	1.8	45	500	②	
	220	60	0.20	42	1700	1.5	1.8	45	600	③	

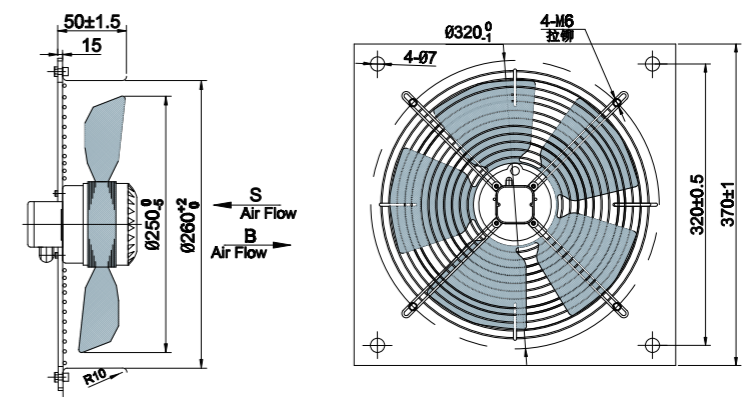
SERIES AXIAL FAN MOTORS YWF250



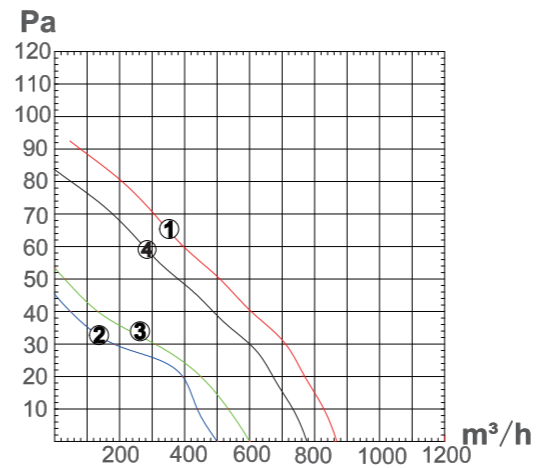
GRID FAN



SQUARE FRAME FAN B0



AIR FLOW CURVES



工作方式: S1  
 绝缘等级: B级F级  
 防护等级: IP44、IP54  
 环境温度: -30°C~60°C

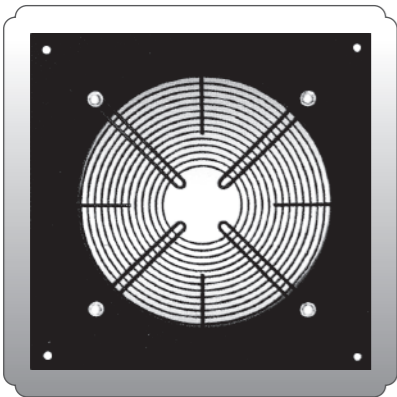
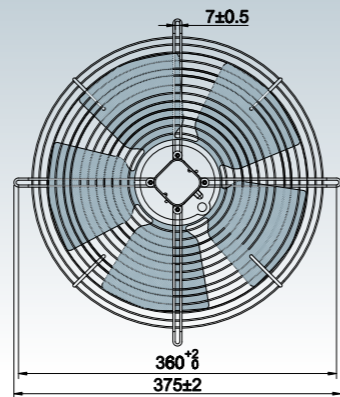
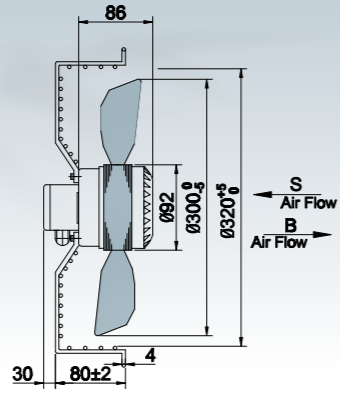
Working mode: S1  
 Insulation class: Class B, F  
 Protection level: IP44、IP54  
 Ambient temperature: -30°C~60°C

TYPE	VOLTAGE V	FREQUENCY Hz	RATED CURRENT A	INPUT W	SPEED r/min	CAPACITOR μF	NET WEIGHT kg	NOISE dBA	AIR VOLUME m³/h	CURVE	
YWF2E-250-5	220	50	0.50	110	2400	4	3.0	60	1300	④	5叶 blade
YWF2E-250-9	220	50	0.50	110	2400	4	3.0	60	1450	①	7叶 blade
YWF2D-250-5	380	50	0.21	100	2400	/	3.0	60	1300	④	5叶 blade
YWF2D-250-9	380	50	0.21	100	2400	/	3.0	60	1450	①	7叶 blade
YWF4E-250	220	50	0.22	45	1400	2	3.0	55	860	③	
	220	60	0.25	55	1700	2	3.0	56	1015	②	
YWF4D-250	380	50	0.17	45	1400	/	3.0	56	860	③	
	380	60	0.15	45	1700	/	3.0	56	1015	②	

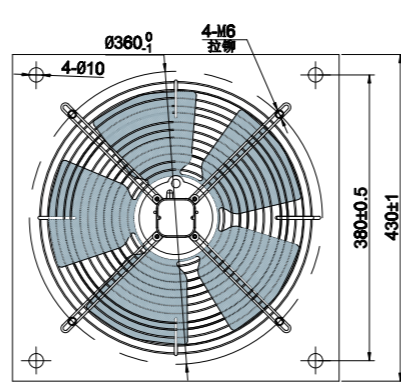
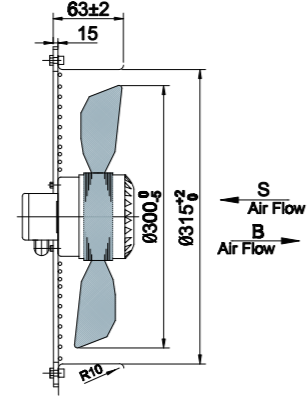
SERIES AXIAL FAN MOTORS **YWF300**



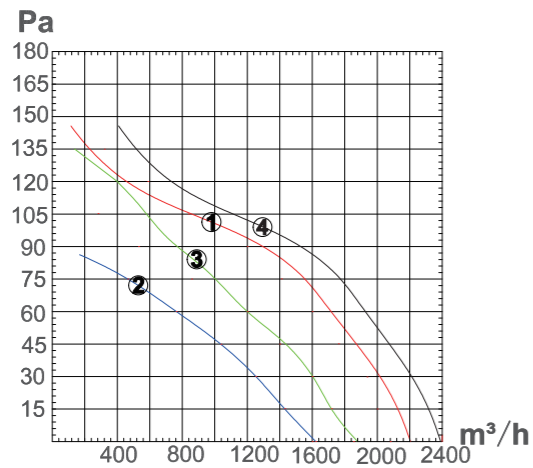
GRID FAN



SQUARE FRAME FAN B0



AIR FLOW CURVES



工作方式: S1  
 绝缘等级: B级F级  
 防护等级: IP44、IP54  
 环境温度: -30°C~60°C

Working mode: S1  
 Insulation class: Class B, F  
 Protection level: IP44、IP54  
 Ambient temperature: -30°C~60°C

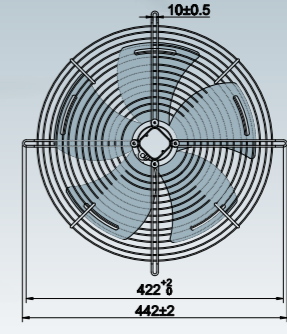
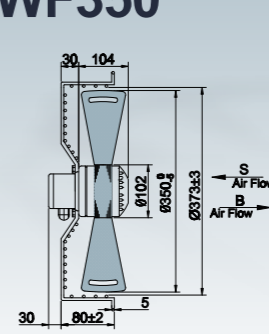
TYPE	VOLTAGE V	FREQUENCY Hz	RATED CURRENT A	INPUT W	SPEED r/min	CAPACITOR μF	NET WEIGHT kg	NOISE dBA	AIR VOLUME m³/h	CURVE
YWF2E-300-7	220	50	0.65	140	2500	4	3.4	60	2400	④
YWF2D-300-7	380	50	0.28	150	2500	/	3.4	60	2400	④
YWF4E-300	220	50	0.38	80	1350	3	3.3	53	1845	②
	220	60	0.45	95	1550	3	3.3	55	1460	②
YWF4D-300	380	50	0.24	75	1380	/	3.3	53	1835	②
	380	60	0.22	90	1550	/	3.3	55	1600	③

7叶 blade

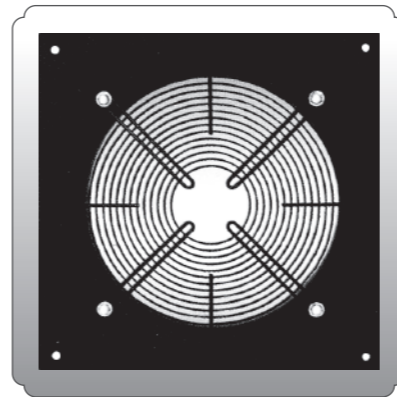
SERIES AXIAL FAN MOTORS **YWF350**



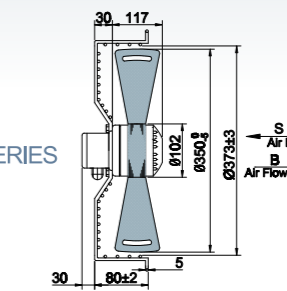
GRID FAN



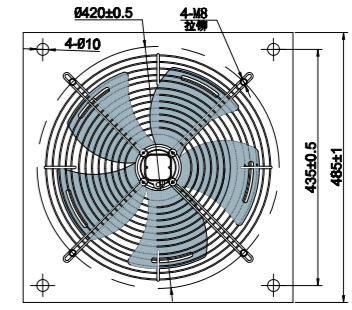
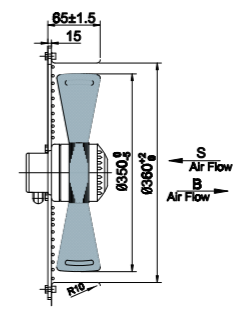
STANDARD FAN



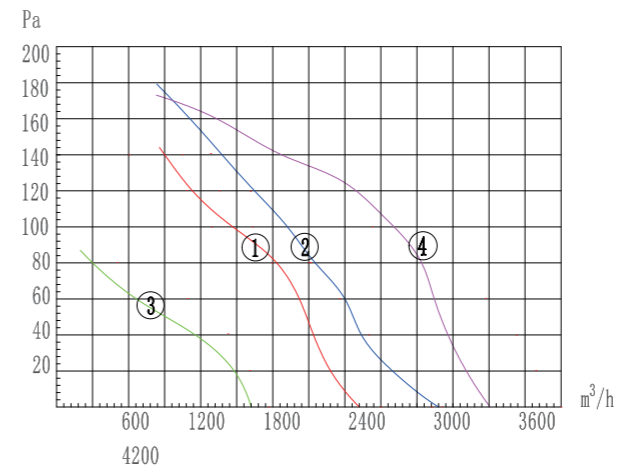
SQUARE FRAME FAN B0



AIR COOLER FAN EX SERIES



AIR FLOW CURVES



工作方式: S1  
 绝缘等级: B级F级  
 防护等级: IP44、IP54  
 环境温度: -30°C~60°C

Working mode: S1  
 Insulation class: Class B, F  
 Protection level: IP44、IP54  
 Ambient temperature: -30°C~60°C

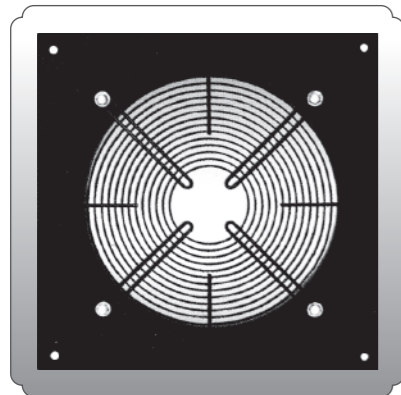
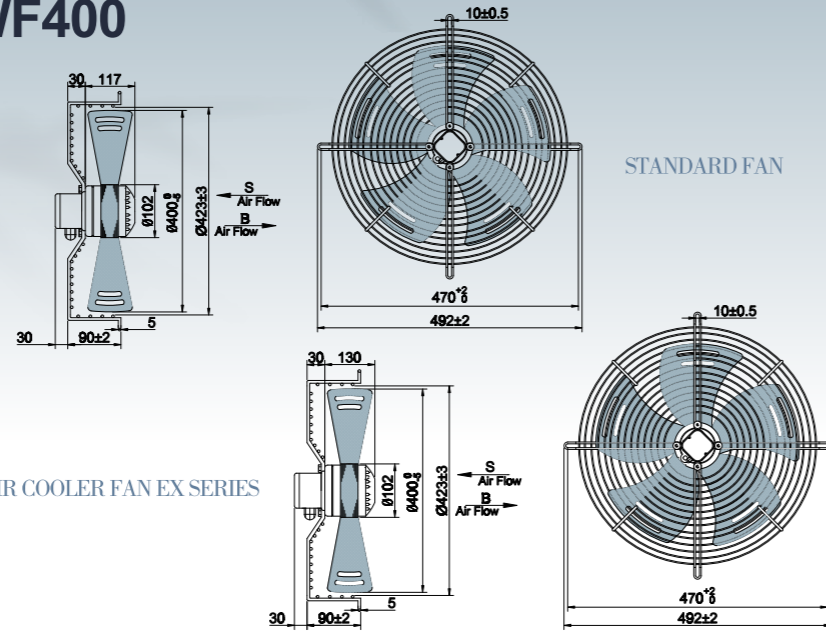
TYPE	VOLTAGE V	FREQUENCY Hz	RATED CURRENT A	INPUT W	SPEED r/min	CAPACITOR μF	NET WEIGHT kg	NOISE dBA	AIR VOLUME m³/h	CURVE
YWF4E-350	220	50	0.65	135	1380	4	4.8	62	2450	①
	220	60	0.78	170	1600	4	4.8	62	2830	②
YWF4D-350	380	50	0.38	140	1380	/	4.8	62	2480	①
	380	60	0.35	180	1600	/	4.8	62	2810	②
YWF6E-350	220	50	0.38	80	920	3	4.8	56	1630	③
YWF6D-350	380	50	0.30	80	920	/	4.8	56	1610	③
YWF4E-350EX	220	50	0.80	180	1380	6	5.5	60	3280	④
YWF4D-350EX	380	50	0.45	180	1380	/	5.5	60	3290	④

SERIES AXIAL FAN MOTORS

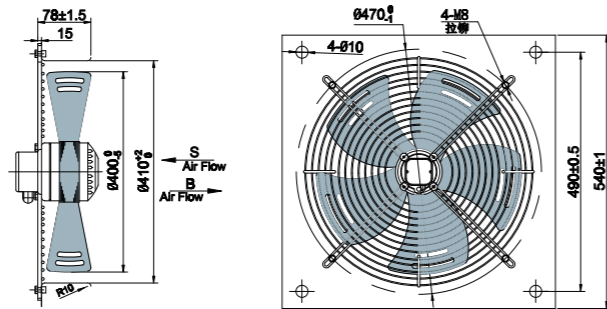
YWF400



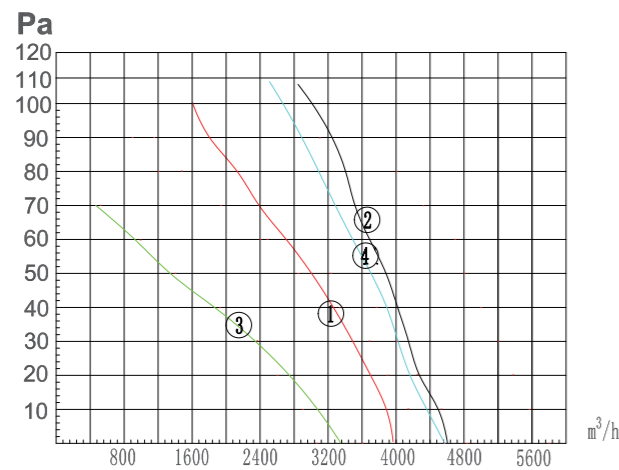
GRID FAN



SQUARE FRAME FAN B0



AIR FLOW CURVES



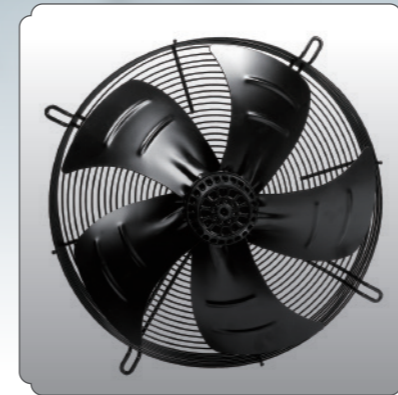
工作方式: S1  
 绝缘等级: B级F级  
 防护等级: IP44、IP54  
 环境温度: -30°C~60°C

Working mode: S1  
 Insulation class: Class B, F  
 Protection level: IP44、IP54  
 Ambient temperature: -30°C~60°C

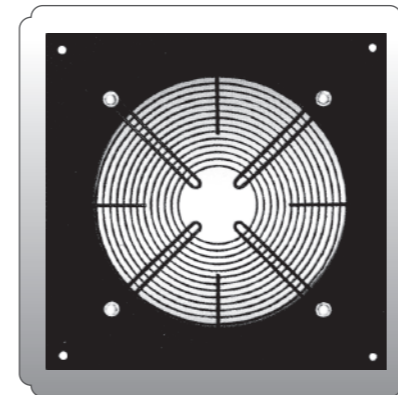
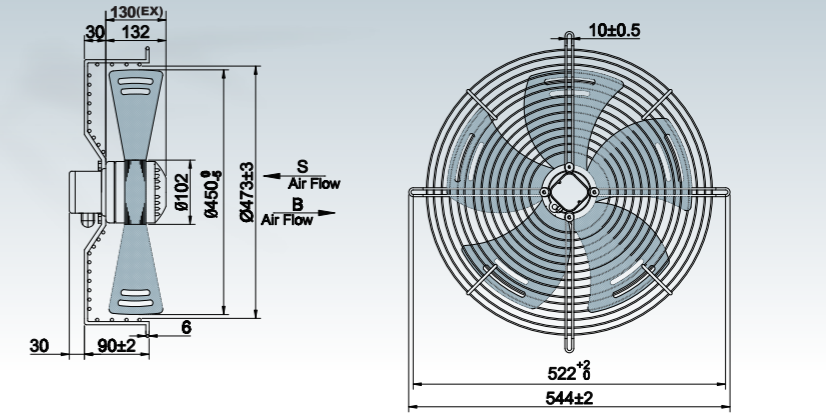
TYPE	VOLTAGE V	FREQUENCY Hz	RATED CURRENT A	INPUT W	SPEED r/min	CAPACITOR μF	NET WEIGHT kg	NOISE dBA	AIR VOLUME m³/h	CURVE
YWF4E-400	220	50	0.82	180	1380	6	5.7	66	3980	①
	220	60	1.20	250	1550	6	5.7	66	4670	②
YWF4D-400	380	50	0.47	180	1380	/	5.7	66	3960	①
	380	60	0.47	250	1550	/	5.7	66	4590	②
YWF6E-400	220	50	0.48	100	920	4	5.7	58	3275	③
YWF6D-400	380	50	0.38	105	920	/	5.7	58	3250	③
YWF4E-400EX	220	50	1.10	230	1350	8	6.9	66	4530	④
YWF4D-400EX	380	50	0.58	230	1380	/	6.9	66	4600	④

SERIES AXIAL FAN MOTORS

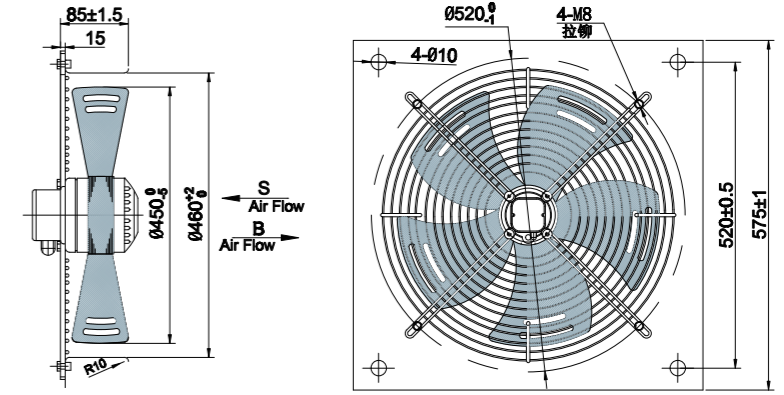
YWF450



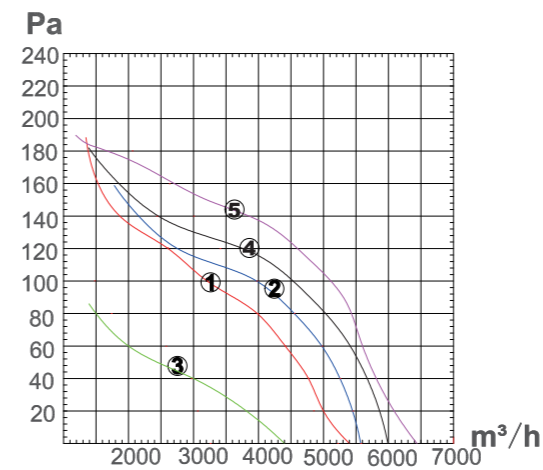
GRID FAN



SQUARE FRAME FAN B0



AIR FLOW CURVES



工作方式: S1  
 绝缘等级: B级F级  
 防护等级: IP44、IP54  
 环境温度: -30°C~60°C

Working mode: S1  
 Insulation class: Class B, F  
 Protection level: IP44、IP54  
 Ambient temperature: -30°C~60°C

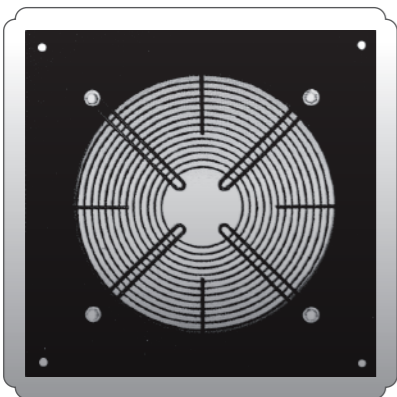
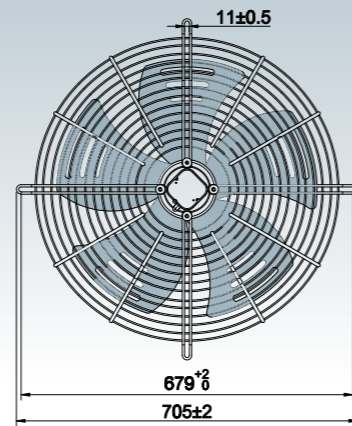
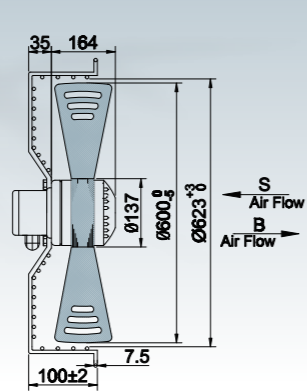
TYPE	VOLTAGE V	FREQUENCY Hz	RATED CURRENT A	INPUT W	SPEED r/min	CAPACITOR μF	NET WEIGHT kg	NOISE dBA	AIR VOLUME m³/h	CURVE
YWF4E-450	220	50	1.20	250	1350	8	7.5	68	5380	①
	220	60	1.52	330	1500	8	7.5	68	5600	②
YWF4D-450	380	50	0.60	250	1360	/	7.5	68	5390	①
	380	60	0.60	330	1500	/	7.5	68	5620	②
YWF6E-450	220	50	0.70	150	920	6	7.5	60	4400	③
YWF6D-450	380	50	0.42	150	900	/	7.5	60	4410	③
YWF4E-450EX	220	50	1.68	365	1330	14	8.6	69	5930	
	220	60	2.50	550	1600	14	8.6	70	6390	
YWF4E-450EX	380	50	0.70	330	1350	/	8.6	69	5950	
	380	60	0.85	480	1550	/	8.6	70	6320	



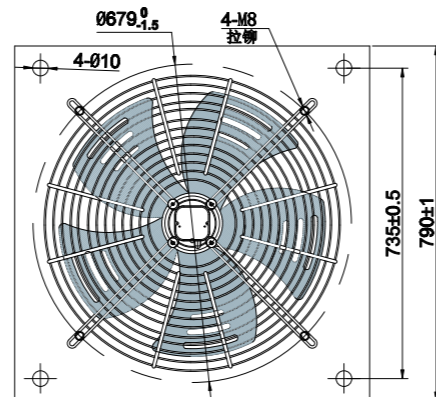
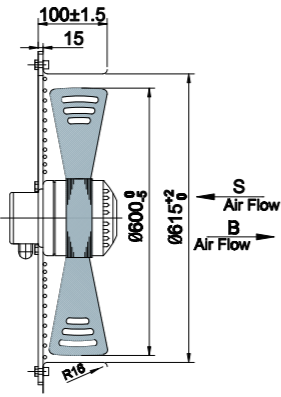
SERIES AXIAL FAN MOTORS YWF600



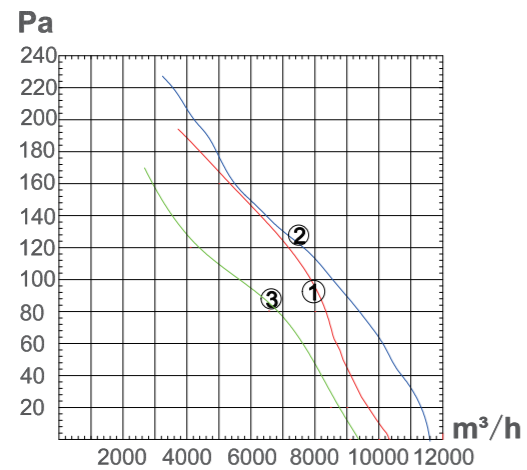
GRID FAN



SQUARE FRAME FAN B0



AIR FLOW CURVES

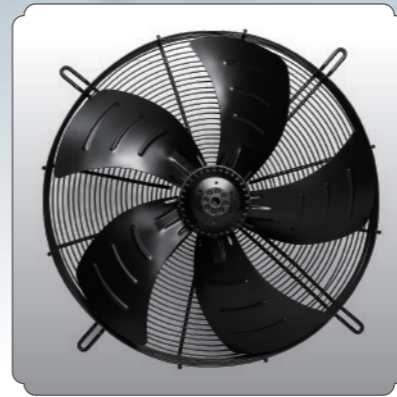


工作方式: S1  
 绝缘等级: B级F级  
 防护等级: IP44、IP54  
 环境温度: -30°C~60°C

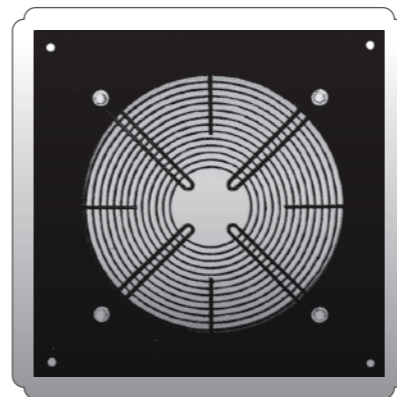
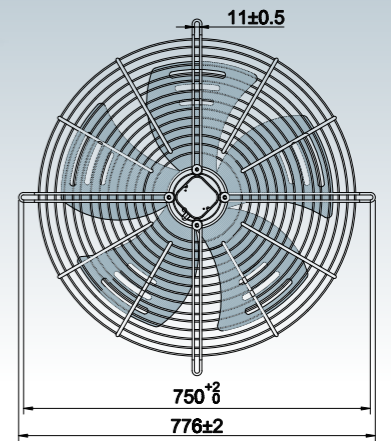
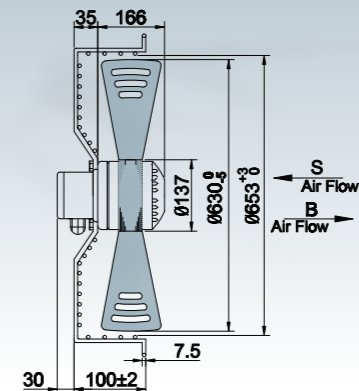
Working mode: S1  
 Insulation class: Class B, F  
 Protection level: IP44、IP54  
 Ambient temperature: -30°C~60°C

TYPE	VOLTAGE V	FREQUENCY Hz	RATED CURRENT A	INPUT W	SPEED r/min	CAPACITOR μF	NET WEIGHT kg	NOISE dBA	AIR VOLUME m³/h	CURVE
YWF4E-600	220	50	3.20	700	1360	16	14	74	10250	①
	220	60	3.85	800	1650	16	14	75	11580	②
YWF4D-600	380	50	1.60	780	1350	/	14	75	10230	①
	380	60	1.80	820	1650	/	14	75	11660	②
YWF6E-600	220	50	2.30	480	900	10	14	70	9250	③
YWF6D-600	380	50	1.50	480	900	/	14	69	9380	③

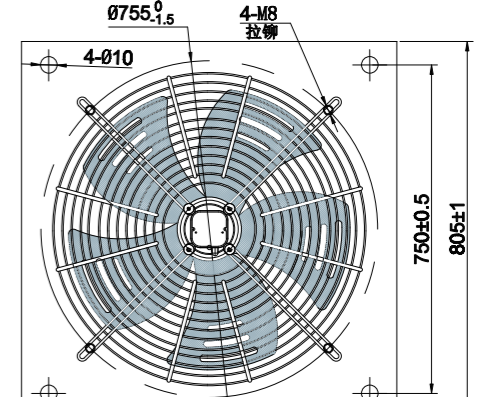
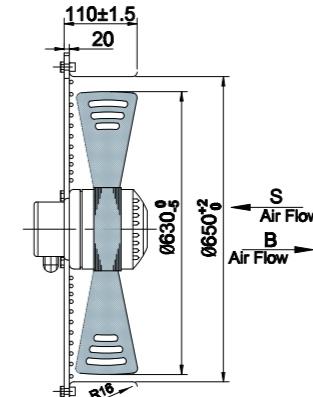
SERIES AXIAL FAN MOTORS YWF630



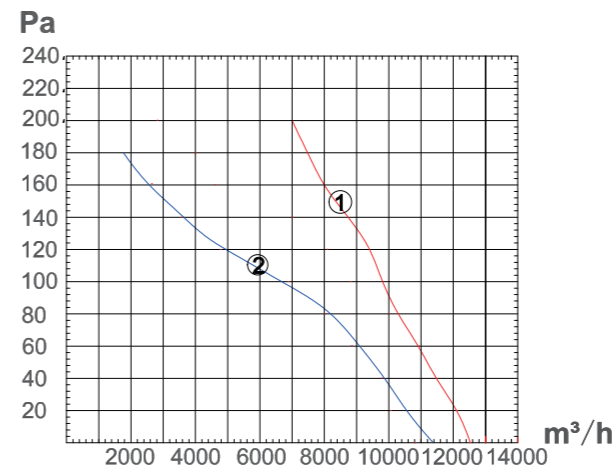
GRID FAN



SQUARE FRAME FAN B0



AIR FLOW CURVES



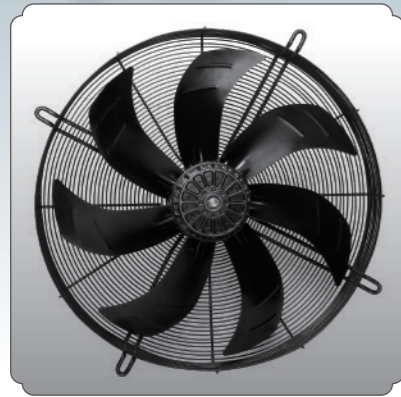
工作方式: S1  
 绝缘等级: B级F级  
 防护等级: IP44、IP54  
 环境温度: -30°C~60°C

Working mode: S1  
 Insulation class: Class B, F  
 Protection level: IP44、IP54  
 Ambient temperature: -30°C~60°C

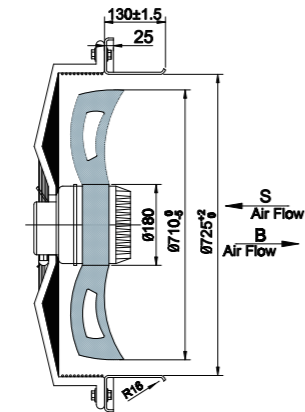
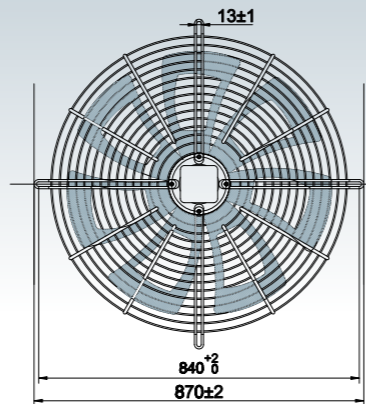
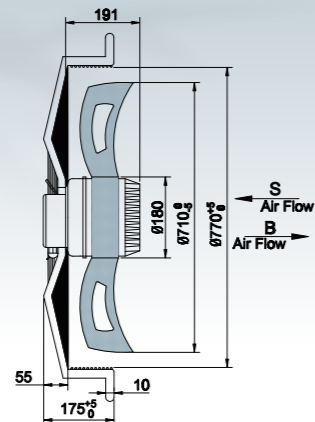
TYPE	VOLTAGE V	FREQUENCY Hz	RATED CURRENT A	INPUT W	SPEED r/min	CAPACITOR μF	NET WEIGHT kg	NOISE dBA	AIR VOLUME m³/h	CURVE
YWF4E-630	220	50	3.50	750	1360	16	15.5	75	12560	①
YWF4D-630	380	50	1.60	800	1360	/	15.5	75	12610	①
YWF6E-630	220	50	2.40	520	900	10	15.5	71	11380	②
YWF6D-630	380	50	1.50	550	900	/	15.5	71	11460	②

SERIES AXIAL FAN MOTORS

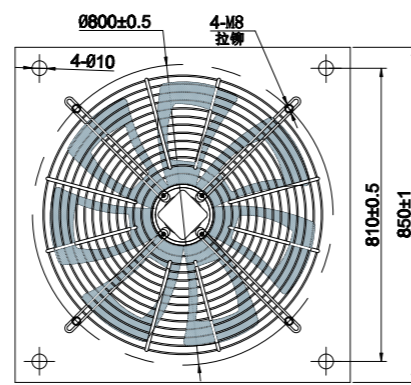
YWF710



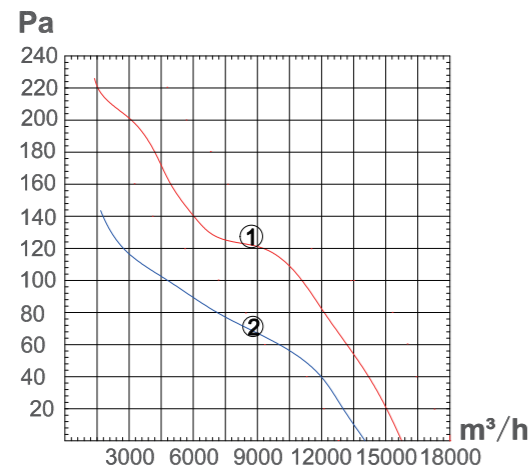
GRID FAN



SQUARE FRAME FAN B0



AIR FLOW CURVES



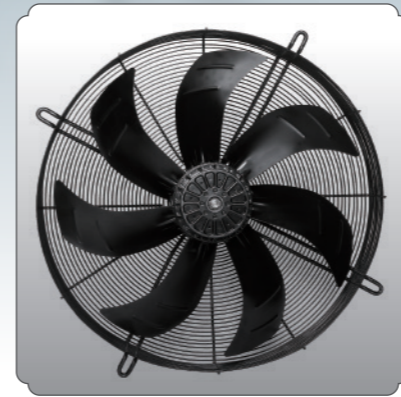
工作方式: S1  
 绝缘等级: B级F级  
 防护等级: IP44、IP54  
 环境温度: -30°C~60°C

Working mode: S1  
 Insulation class: Class B, F  
 Protection level: IP44、IP54  
 Ambient temperature: -30°C~60°C

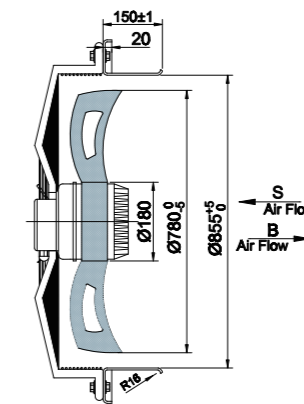
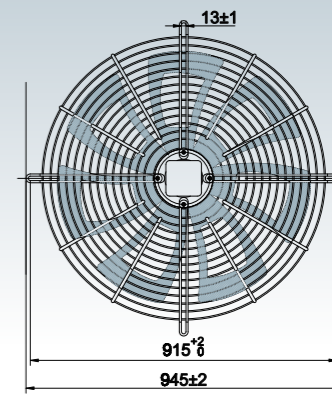
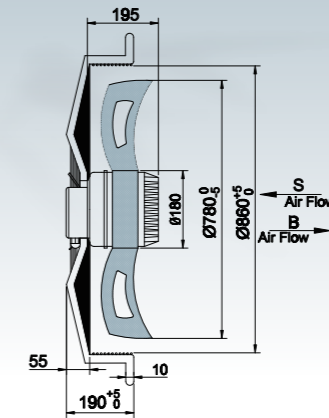
TYPE	VOLTAGE V	FREQUENCY Hz	RATED CURRENT A	INPUT W	SPEED r/min	CAPACITOR μF	NET WEIGHT kg	NOISE dBA	AIR VOLUME m³/h	CURVE
YWF6D-710	380	50	2.00	1100	910	/	25	76	15380	①
	380	60	1.40	750	750	/	25	73	13560	②

SERIES AXIAL FAN MOTORS

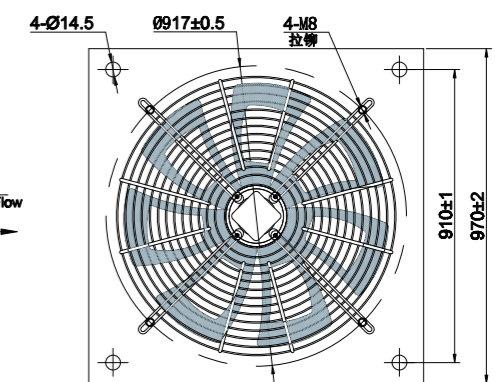
YWF800



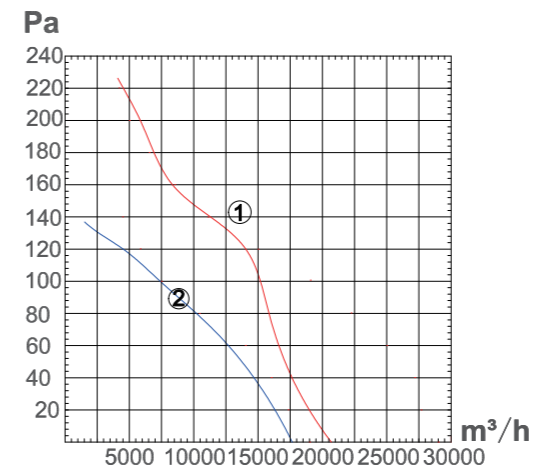
GRID FAN



SQUARE FRAME FAN B0



AIR FLOW CURVES

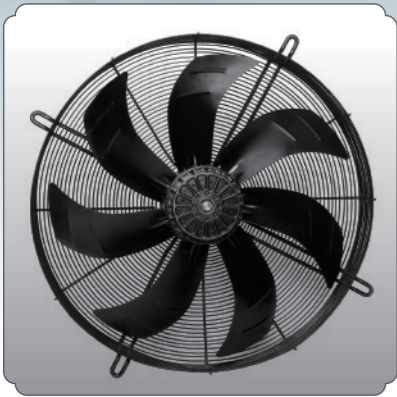


工作方式: S1  
 绝缘等级: B级F级  
 防护等级: IP44、IP54  
 环境温度: -30°C~60°C

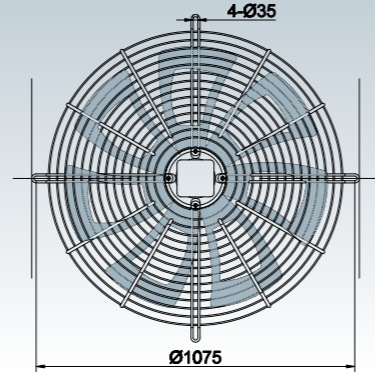
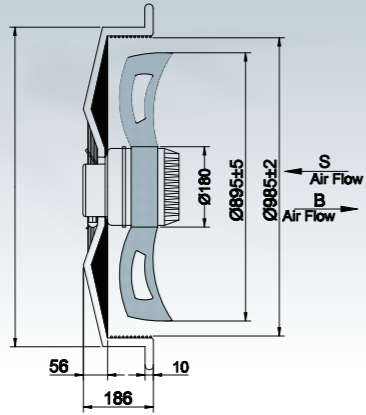
Working mode: S1  
 Insulation class: Class B, F  
 Protection level: IP44、IP54  
 Ambient temperature: -30°C~60°C

TYPE	VOLTAGE V	FREQUENCY Hz	RATED CURRENT A	INPUT W	SPEED r/min	CAPACITOR μF	NET WEIGHT kg	NOISE dBA	AIR VOLUME m³/h	CURVE
YWF6D-800	380	50	3.25	1300	920	/	35	75	21550	①
	380	50	1.68	930	770	/	35	74	17780	②

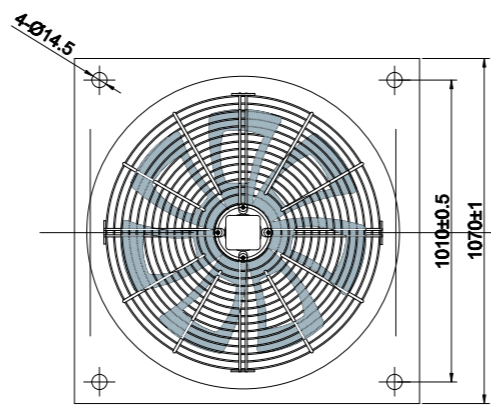
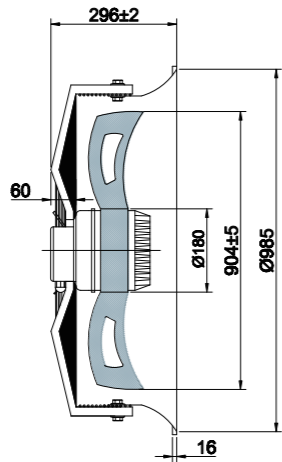
SERIES AXIAL FAN MOTORS **YWF900**



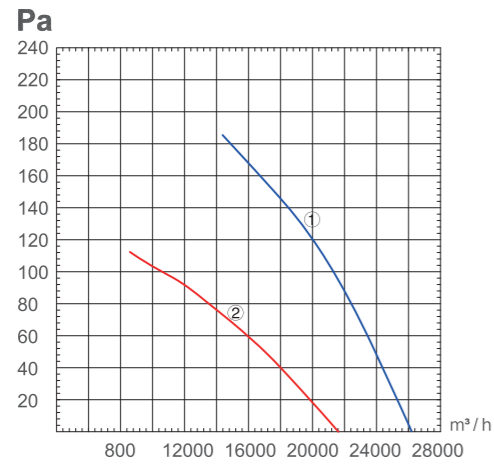
GRID FAN



SQUARE FRAME FAN B0



AIR FLOW CURVES

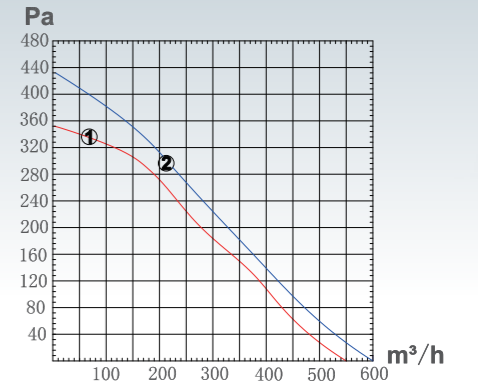
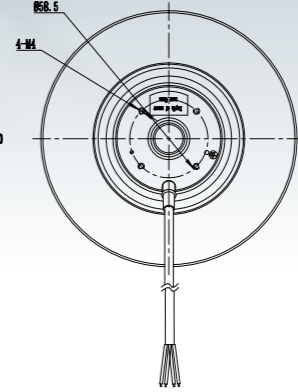
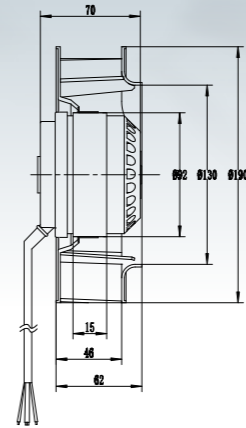
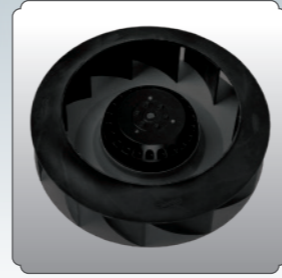


工作方式: S1  
 绝缘等级: B级F级  
 防护等级: IP44、IP54  
 环境温度: -30°C~60°C

Working mode: S1  
 Insulation class: Class B, F  
 Protection level: IP44、IP54  
 Ambient temperature: -30°C~60°C

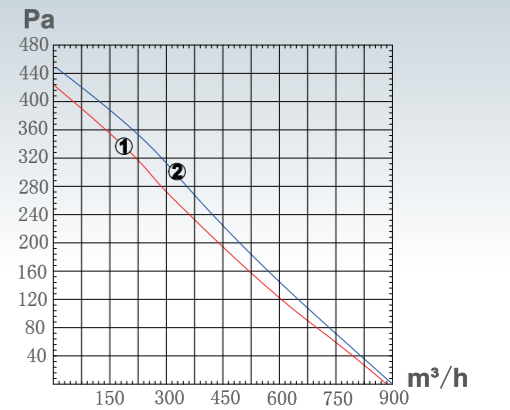
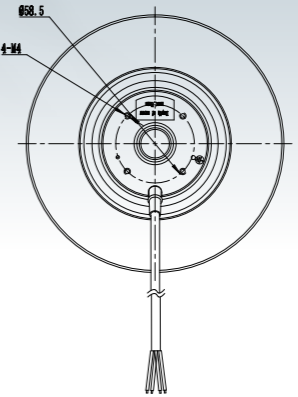
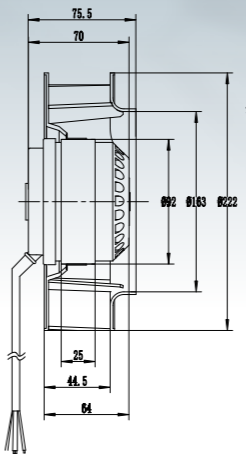
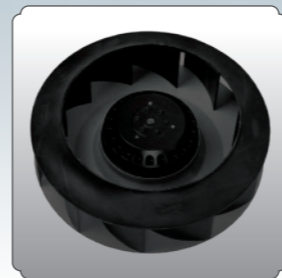
TYPE	VOLTAGE V	FREQUENCY Hz	RATED CURRENT A	INPUT W	SPEED r/min	CAPACITOR μF	NET WEIGHT kg	NOISE dBA	AIR VOLUME m³/h	CURVE
YWF6D-900	380	50	2.00	1400	920	/	33	80	26000	①
	380	50	1.40	940	750	/	33	79	21800	②

BACKWARD CENTRIFUGAL FANS: PLASTIC WHEELS **YWF-L92BP-225**



TYPE	VOLTAGE V	FREQUENCY Hz	RATED CURRENT A	INPUT W	SPEED r/min	CAPACITOR μF	NET WEIGHT kg	NOISE dBA	AIR VOLUME m³/h	CURVE
YWF-L92BP-2E-190	220	50	0.27	62	2200	3	2.8	65	550	①
	220	60	0.30	68	2350	3	2.8	66	580	②

BACKWARD CENTRIFUGAL FANS: PLASTIC WHEELS **YWF-L92BP-220**



TYPE	VOLTAGE V	FREQUENCY Hz	RATED CURRENT A	INPUT W	SPEED r/min	CAPACITOR μF	NET WEIGHT kg	NOISE dBA	AIR VOLUME m³/h	CURVE
YWF-L92BP-2E-220	220	50	0.42	100	2480	3	3.5	68	870	①
	220	60	0.55	127	2540	3	3.5	70	880	②